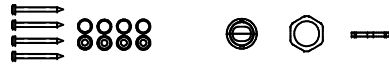
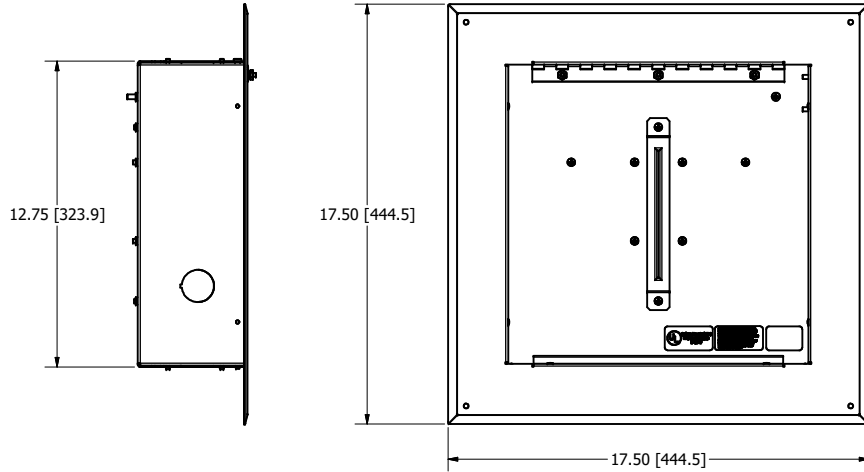
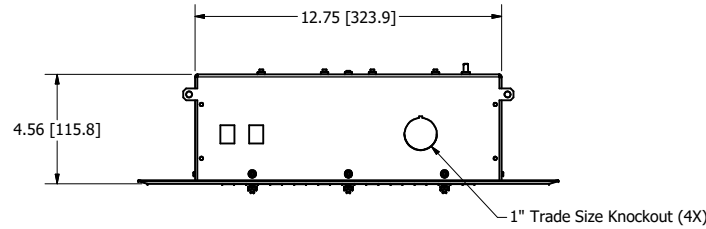
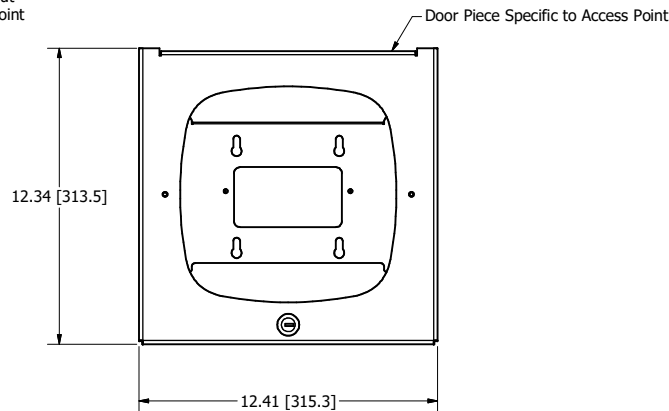


# ENCLOSURE BACKBOX



## DOOR

\*\*NOTE: Door Cutout Specific to Access Point



NOTE: All materials used in the construction of Oberon products must be RoHS compliant and meet RoHS2 Directive 2011/65/EU. Contact Oberon engineering if RoHS compliant materials are not available.

REVISION HISTORY				
ZONE	REV	DESCRIPTION	DATE	APPROVED
All	1	Released	7/11/2019	DLV
All	2	Updated Images, Added P/N List	11/26/2019	CAH
All	3	Updated "Includes" List, Configuration Table	2/19/2020	RLC
All	4	Updated Configuration Table	8/29/2022	RLC

## NOTES:

- Weight: 12 lbs.
- Material:
  - 16 Ga. Galvanized Steel Backbox
  - 14 Ga. White Powder Coated Steel Door
  - 18 Ga. White Powder Coated Steel Bezel

## Includes:

- (4) Wire Hangers
- (1) T-Bar Bracket
- (1) Dual Cable Egress Fire Stop Grommet
- (1) 1 in. Trade Size Conduit Connector
- (4) White Cosmetic Screw Caps
- (4) #10 Ceiling/Wall Attachment Screws
- (1) Grounding Screw
- (2) Keys for Lock

- UL Listed File No. E249360
- OSHPD Approved: File No. OPM-0110-13

DRAWN CAH	2/19/2020	Oberon, Inc. - 1315 S. Allen St. - State College, PA 16801		
CHECKED RLC	8/29/2022	TITLE		
QA		Model 1051-XX		
MFG RLC	8/29/2022	SIZE C	DWG NO Model1051-XXXX	REV 4
APPROVED RLC	8/29/2022	SCALE	SHEET 1 OF 2	
TOLERANCE:	.0 = +/- .030 .00 = +/- .015 .000 = +/- .005			

**Please specify configuration when ordering:**

1051 - \_\_\_\_\_

ENCLOSURE - AP DOOR  
STYLE (see Configurations)

CONFIGURATION TABLE				
MODEL NUMBER	ENCLOSURE STYLE	AP DOOR	ACCESS POINT	TO ORDER DOOR SEPARATELY - USE DOOR P/N ONLY
1051-00	1051	00	General Purpose for APs w/ External Antennas	38-105X-00
1051-ARAP505	1051	ARAP505	Aruba AP505	38-105X-ARAP505
1051-ARAP515	1051	ARAP515	Aruba AP515	38-105X-ARAP515
1051-ARAP535	1051	ARAP535	Aruba AP535	38-105X-ARAP535
1051-ARAP555	1051	ARAP555	Aruba AP555	38-105X-ARAP555
1051-ARAP635	1051	ARAP645	Aruba AP635	38-105X-ARAP635
1051-CCOAP	1051	CCOAP	Cisco 2700, 3700 Series APs	38-105X-CCOAP
1051-CCOAP3800	1051	CCOAP3800	Cisco 2800, 3800 Series APs	38-105X-CCOAP3800
1051-COAP4800	1051	COAP4800	Cisco 4800 Series APs	38-105X-COAP4800
1051-COAP9115	1051	COAP9115	Cisco 9115 Series APs	38-105X-COAP9115
1051-COAP9120	1051	COAP9120	Cisco 9120 Series APs	38-105X-COAP9120
1051-COAP9130	1051	COAP9130	Cisco 9130 Series APs	38-105X-COAP9130
1051-COAP9136	1051	COAP9136	Cisco 9136 Series APs	38-105X-COAP9136
1051-CW9166	1051	CW9166	Cisco 9164, 9166 Series APs	38-105X-CW9166
1051-CP	1051	CP	General Purpose for APs w/ Internal Antennas	38-105X-CP
1051-WA	1051	WA	General Purpose for APs w/ Internal Antennas	38-105X-WA
1051-MIST43	1051	MIST43	Mist AP43 Series APs	38-105X-MIST43
1051-SOLID	1051	SOLID	SOLID AP	38-105X-SOLID
1051-R650	1051	R650	Ruckus R650 Series APs	38-105X-R650
1051-R750	1051	R750	Ruckus R750 Series APs	38-105X-R750
10512-ND	1051	ND	N/A (No Door Included)	ND

"-CCEA" = Compliant with "City of Chicago Environmental Air" Standard  
"-CCEA" Versions for All Model Numbers are Available Upon Request

DRAWN CAH	2/19/2020	Oberon, Inc. - 1315 S. Allen St. - State College, PA 16801		
CHECKED RLC	8/29/2022	TITLE		
QA		Model 1051-XX		
MFG RLC	8/29/2022	SIZE C	DWG NO Model1051-XXXX	REV 4
APPROVED RLC	8/29/2022	SCALE	SHEET 2 OF 2	
TOLERANCE:	.0 = +/- .030 .00 = +/- .015 .000 = +/- .005			