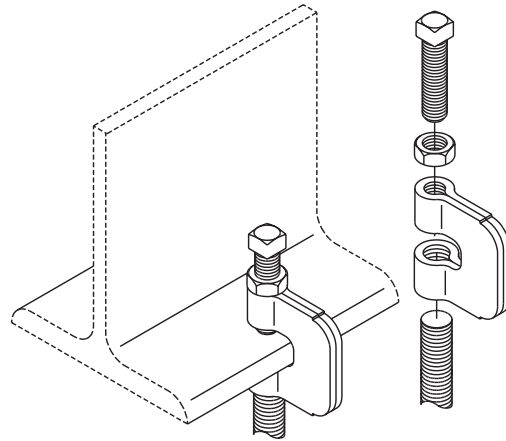


Product Information Sheet

THREADED ROD I-BEAM CLAMPS, CABLE RUNWAY

Fastens a 3/8" or 5/8" threaded rod to an I-beam.

- Material is cold-rolled steel
- Finish is Gold over zinc plating



Part Number	Description	Shipping Weight
10557-001	For 3/8" Threaded Rod	3 lb
10557-003	For 5/8" Threaded Rod	3 lb

800-834-4969 in US & Canada • www.chatsworth.com



CHATSWORTH PRODUCTS, INC.

©2002 Chatsworth Products, Inc. 11/02