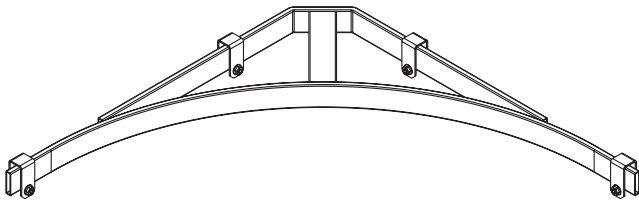


Frequently Asked Questions

CABLE RUNWAY CORNER BRACKET



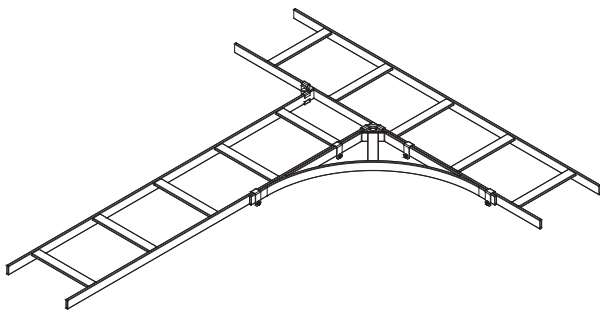
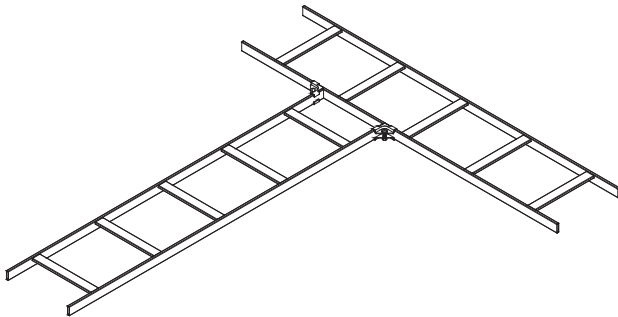
11959-X15

11959-X24

X=color over zinc: 0=Gold, 1=Gray, 2=Computer Gray, 7=Black, E=Glacier White.

Q. How is the Cable Runway Corner Bracket used?

A. The Cable Runway Corner Bracket is used to create a smooth, curved transition at intersections formed when a Junction Splice Kit is used to connect Cable Runway.

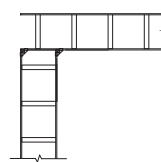


Notes:

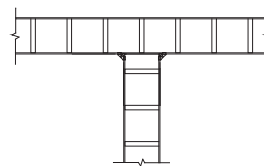
1. Junction Splice Kits include CPI part numbers 11302-001, 16302-001, 11298-001, and 16298-001.
2. Cable Runway includes CPI Universal Cable Runway (Series 10250), TELCO-Style Cable Runway (Series 11252) and U.L. Classified Cable Runway (Series 11275).

Q. When can the Cable Runway Corner Bracket be used?

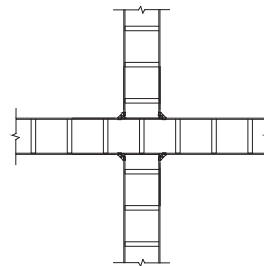
A. The Cable Runway Corner Bracket compliments cable runway intersections created with the Junction Splice Kit. The Junction Splice Kit may be used to form L-shaped, T-shaped or X-shaped intersections. The T-shaped intersection is most widely used.



L-shaped

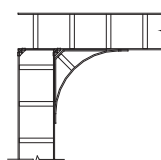


T-shaped

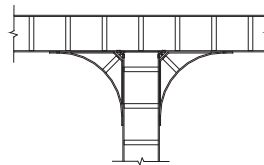


X-shaped

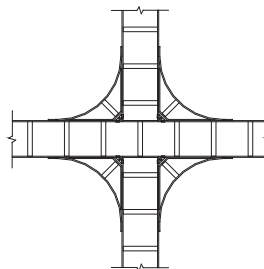
CPI recommends the use of the Cable Runway Corner Bracket with most intersections.



L-shaped intersections require one Cable Runway Corner Bracket.



T-shaped intersections require two Cable Runway Corner Brackets.



X-shaped intersections require four Cable Runway Corner Brackets.

US & Canada
+1-800-834-4969
Toronto, Ontario, Canada
+905-850-7770
chatsworth.com

Latin America
+52-55-5203-7525
Toll Free within Mexico
01-800-01-7592
chatsworth.com.co

Europe
+44-1628-524-834
chatsworthproducts.co.uk

Middle East & Africa
Dubai, UAE
+971-4-2602125
chatsworthproducts.co.uk

Asia Pacific
+86 21 6880-0266
chatsworth.com.cn

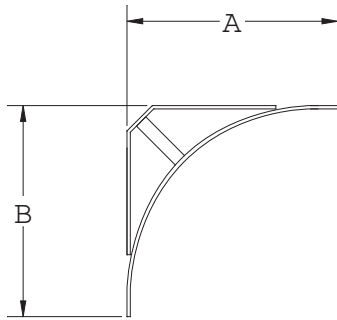


Frequently Asked Questions

CABLE RUNWAY CORNER BRACKET

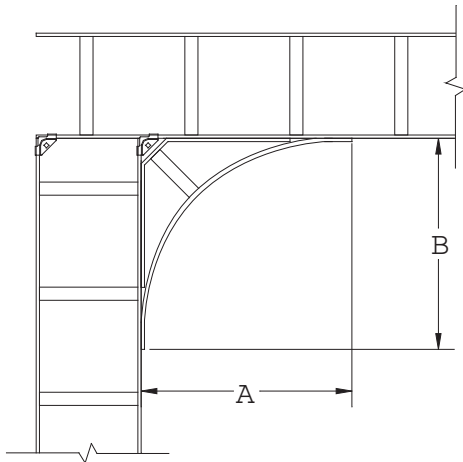
Q. How is the Cable Runway Corner Bracket specified?

A. The Cable Runway Corner Bracket is specified by size. There are two corner bracket sizes -X15 and -X24.



Part Number	A	B
11959-X15	15.48"	15.48"
11959-X24	24.13"	24.13"

The size is important because it is the minimum clearance needed within the corner of the runway intersection for attachment of the corner bracket. Recommended clearances are given below.

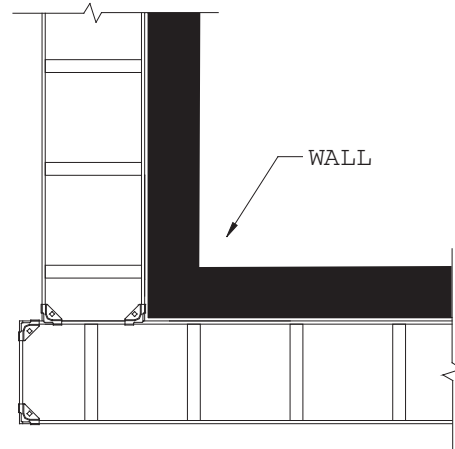


Part Number	A	B
11959-X15	16"	16"
11959-X24	25"	25"

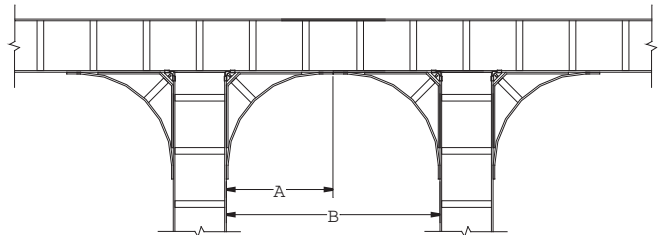
Q. When should the Cable Runway Corner Bracket be omitted?

A. There are two specific situations where the Cable Runway Corner Bracket should be omitted.

First, when an intersection is bordered on two or more sides by a wall or other structure.



Second, when adjacent intersections occur within a space too narrow to allow corner brackets to be inserted between the intersections. Minimum space requirements are given below.



Part Number	A	B
11959-X15	16"	32"
11959-X24	25"	50"



CHATSWORTH PRODUCTS

While every effort has been made to ensure the accuracy of all information, CPI does not accept liability for any errors or omissions and reserves the right to change information and descriptions of listed services and products.
 ©2015 Chatsworth Products, Inc. All rights reserved. Chatsworth Products, CPI, CPI Passive Cooling, eConnect, MegaFrame, Saf-T-Grip, Seismic Frame, SlimFrame, TeraFrame, GlobalFrame, Cube-iT Plus, Evolution, OnTrac, QuadraRack and Velocity are federally registered trademarks of Chatsworth Products. Simply Efficient is a trademark of Chatsworth Products.
 All other trademarks belong to their respective companies. Rev.5 08/15 MKT-60020-087