



MODEL 1064-T

Installation Instructions

**** **WARNING** ****

Please thoroughly read the product warning below before installation to provide for a safe work environment.

Step 9 –Place the access point in the opening of the AP mount (reference *Figure 4*) with the access points LED light closest to the key lock. If the key is turned the proper direction, the access point should drop in and self-center itself so that the feet on the access point falls into the key slots on the mounting plate (reference *Figure 5*).

⚠ NOTE: If the access point and key slots do not align properly, turn the key 180° and repeat step 5.

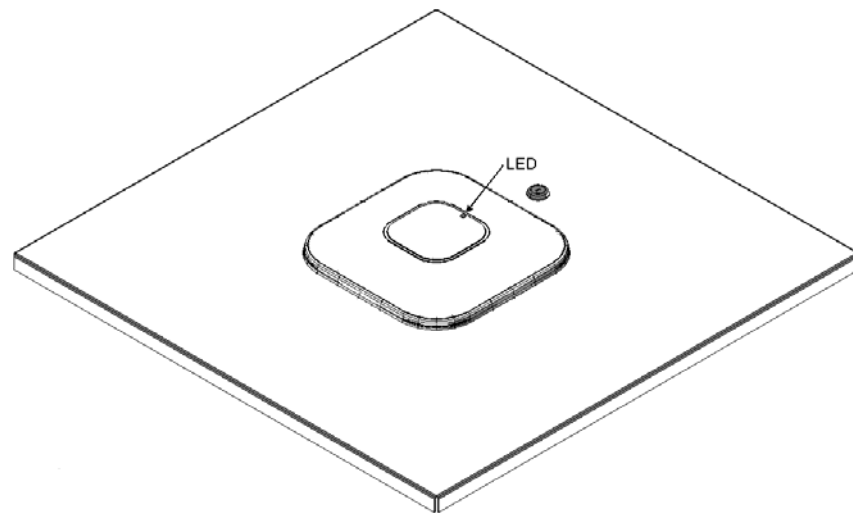


Figure 4 – Proper positioning of AP within the 1064 enclosure. Note that the access point should be located within the AP mount so that the LED is located closest to the lock

Step 10 – After verifying that the access point is properly seated within the opening, turn the key 180° to lock the Access Point in place. The key should require minimal effort to turn. If excessive force is required to turn the key, verify that the access point is properly seated within the opening and then re-try turning the key.

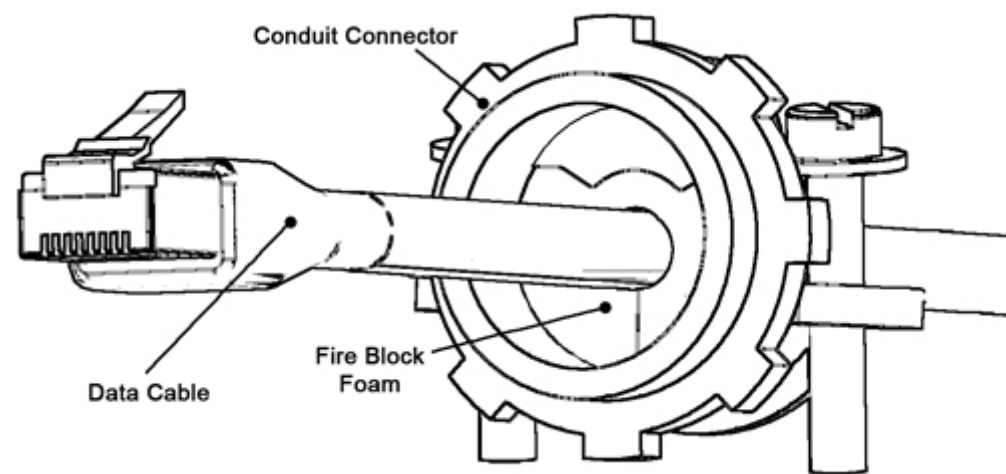


Figure 5 – Insert foam into the conduit connector and pull the data cable through far enough to allow attachment to the access point (8" - 10"). Tighten cable clamp around foam fire block so that there are no air gaps. Be careful not to over tighten and crush the Ethernet cable(s).

1. Ceiling mounted products should be installed in accordance with National Electric Code paragraphs 300.10 (Electrical Continuity of Metal Raceways and Enclosures) and 300.11 (Securing and Supporting). Independent support wires or other means must be used for the installation of this product in the ceiling. Acoustical, suspended, false, drop and concealed spline ceiling grid work is not designed to support the weight of this product. Oberon's ceiling mounted products have four support wire tabs on the back box. These tabs shall be used for supporting the product with independent support wires, wire rope, threaded rod, or other secure support means of adequate gauge and fire resistance.
2. When closing the enclosure access door, be sure that the cam lock is completely engaged to prevent the access door from accidentally swinging open.
3. When opening the enclosure door, be sure to support the door to prevent the door from accidentally falling open.
4. This enclosure has a maximum operating ambient of 55° C (131° F), the temperature within the enclosure may not exceed this temperature, depending on power dissipation within enclosure.
5. A minimum air clearance of 1" between the housing of the access point and the enclosure side walls must be maintained for the safe operation of the equipment.
6. This product is intended to be installed by trained personnel.
7. Only Listed ITE shall be installed within the enclosure.
8. This product is to be repaired by personnel trained by the manufacturer or returned to the manufacturer for repair or replacement.
9. Maximum weight to be installed in the unit is 25 lbs.
10. All knockouts, openings, and holes shall be sealed with a plug constructed of metal, or a non-metal material that complies with UL 2043 or UL 1479.
11. All unused mounting holes should be sealed with tape or other material that complies with UL 1479.
12. If AC power is used inside the enclosure, connect the ground wire to the green ground screw located near the knockout in the backbox.

Installation Instructions

Model Number 1064-T

Assembly Components:

- Ceiling AP mount, Model 1064-00 assembly – 1 each
- #8-32 Screws – 4 each
- Keys for access door lock – 2 each
- Support wire – 4 each
- Fire Block Foam – 1 each
- 3/4" Trade Size Cable Clamp – 1 each

If any of these items are missing, contact your Oberon representative.

Find a flat work surface to assemble the ceiling AP mount and access point prior to mounting in ceiling.

Step 1 – Turn AP mount upside down so that the access point opening is facing toward the table and the connector clamp is facing upward.

Step 2 – Turn the AP mount over so that the access point opening is facing upward. Install the Cisco mounting plate using four (4) #8-32 pan head screws. The mounting plate should be placed so that the round portions of the key slots are located closest to the enclosure lock (reference Figure 2). The Cisco "BRACKET 2" should be used with all Cisco 1400, 1600, 2600, 3500, and 3600 Access Points.

NOTE: When using Cisco 2600 and 3600 series access points, mount the access point mounting plate directly to the enclosure's mounting plate. When using Cisco 1140, 1600, and 3500 series access points, you will need to use the optional standoff kit to have the access point set at the proper height in the enclosure. The standoff kit is Oberon P/N 39-STANDOFF.

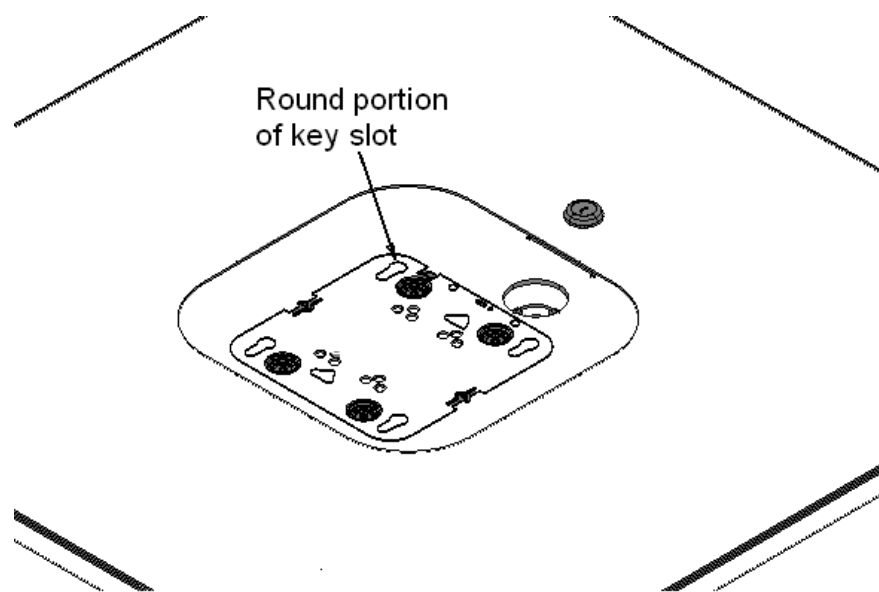


Figure 1 – Close-up showing proper orientation of the Cisco Mounting Plate

Step 3 – Remove the ceiling tile and replace it with the completed AP mount assembly.

Step 4 – Use minimum 12-gauge grid wire to attach the AP mount to the ceiling. Attach one end of the wire to the support tabs and the other end to a permanent structure within the ceiling such as a ceiling joist.

! **IMPORTANT - This is an important safety feature that could prevent human injury or damage to the access point should the unit become dislodged from the ceiling.**

Step 5 – Run the data and power cable (if required) through the conduit connectors located on sides of the access point enclosure. In order to maintain a separation of signal and power, install the data and power cables through opposite sides of the enclosure utilizing the two knock-outs provided. Insert foam into the conduit connector and pull the data cable through far enough to allow attachment to the access point (8" - 10"). Carefully tighten conduit connector around fire block foam just enough to fill in gaps around cable. Be careful not to over tighten and crush the data cable(s), as this can affect cable performance.

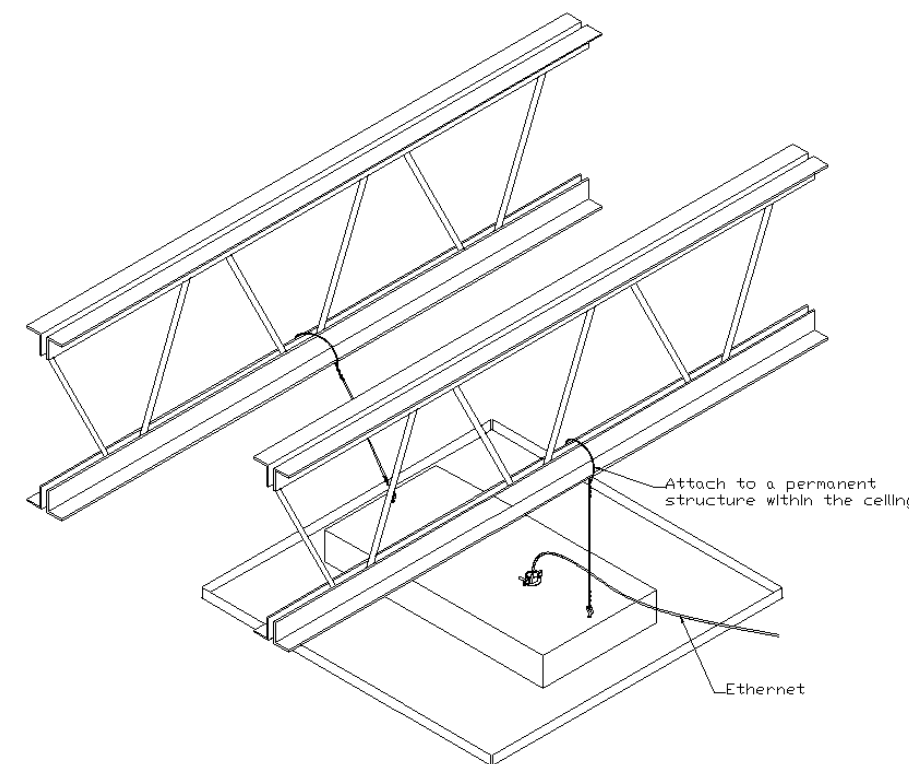


Figure 3 - Installation of grid wires and Ethernet cable.

Step 6 – Attach data and power cables to the access point from the front side of the AP mount.

Step 7 – Insert the key into the lock and turn the lock 180° in both directions to determine which way the slide needs to be moved so that the mounting plate is located furthest from the key lock.

NOTE: The Cisco 1140 AP is locked into the AP mount using the key. The turning of the key activates a cam mechanism that slides the mounting plate underneath the access point, thus, locking the feet of the access point into keyhole shaped slots located on the mounting plate. Once the access point is installed and the key removed, the access point is securely mounted in the AP mount and cannot be removed without the key. Additional security measures as described in Cisco's *Installation Guide* (i.e. padlocks, security screws, and security hasp) are not required.