

Installation Instructions

Model Number 1028-04-ANT5-B

Assembly Components:

- Enclosure Model 1028-04-ANT5-B assembly – 1 each
- 1/2" Trade size hole plugs – 4 each
- 1" Trade size hole plugs – 3 each
- hanger wire – 8 each
- Installation Instructions – 1 each
- #8-32 Nuts – 4 each
- Plastic screw head caps – 4 each

If any of these items are missing, contact your Oberon representative.

Find a flat work surface to assemble the enclosure and any other network/cellular components prior to mounting in ceiling.

Step 1 – Place the enclosure assembly back side down on the work surface and keyed doorway unlocked.

⚠IMPORTANT**** - Determine the correct access point installation method based on the manufacturer.

Step 2a – (For Cisco AP's Only) The mounting studs for Cisco AP's are located in the bottom of the enclosure. Standard Cisco mounting brackets as well as "Bracket 2" can be attached so the "Cisco" logo of the AP is parallel to the hinge. For "Bracket 1" the logo of the AP will be mounted perpendicular to the hinge. Securely fasten the access point's mounting plate to the mounting holes on the mounting plate of the enclosure using four (4) #8-32 machine nuts. Attach the Access Point to the mounting plate (Figure 1).

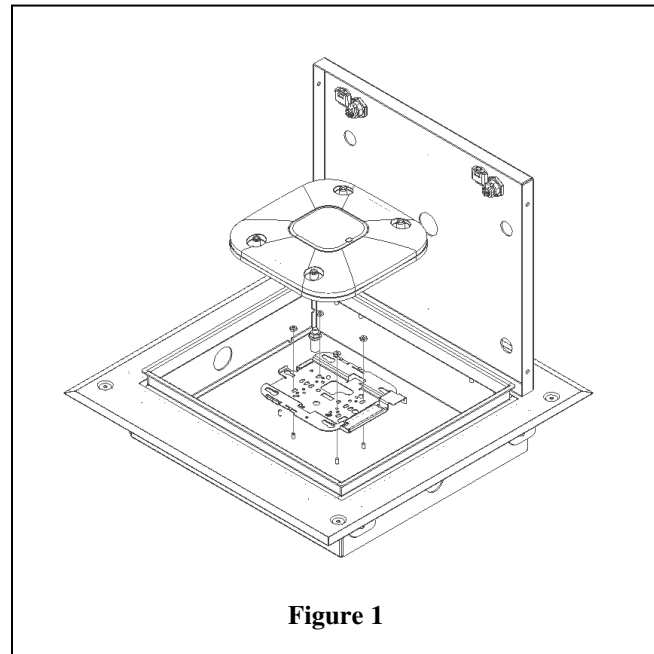


Figure 1

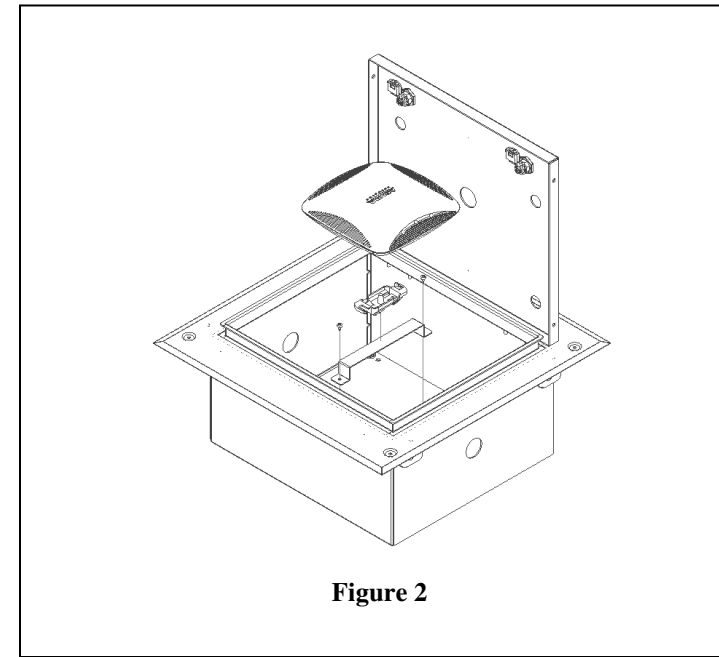


Figure 2

Step 2b – (Any manufacturer's access points) Install the provided "T-Bar" bracket by fastening two (2) #8-32 nuts onto the studs at the bottom of the enclosure. Attach the access point to the T-Bar bracket using the manufacturer's instructions for attaching the access point to a ceiling tile grid (T-Bar). (Figure 2).

Step 3 – (Optional) With the desired number of holes opened, attach antennas (such as Oberon's BMANT or DMDUAL) and DAS antennas by inserting the cables through the door holes. Fasten the antennas to the door per the antenna manufacturer's instructions. To retain the water and dust resistance of the enclosure, antennas should have a gasket to fill the opening. After installation, connect the RF coax cable from the antenna to the access point (Figure 3). If using Bulkhead connectors, use Oberon Bulkhead connectors with provided o-ring (P/N 35-NFBLKHD) to maintain water tightness.

The assembled unit is now ready for ceiling or wall installation.

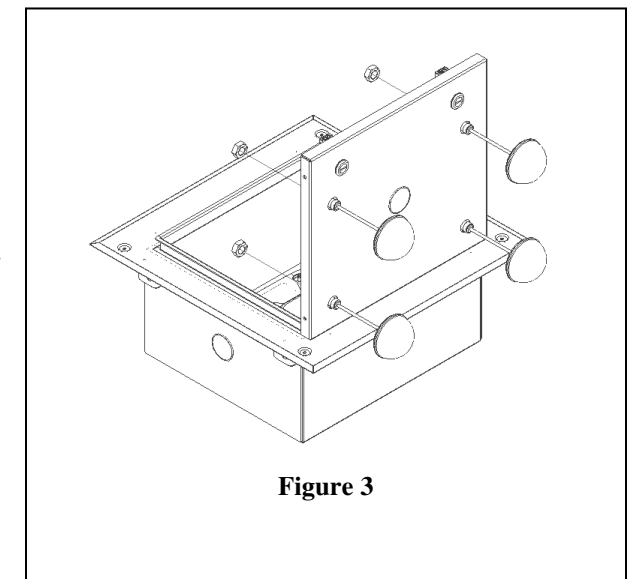


Figure 3

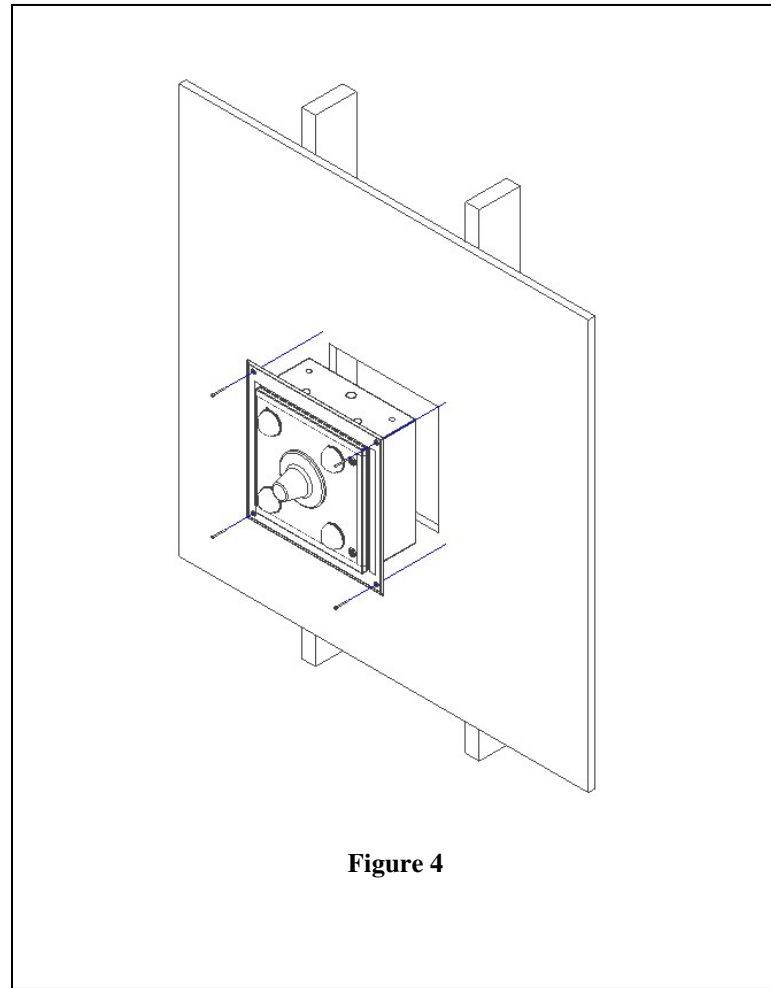


Figure 4

Step 5 – Run the data and power cable (if required) through the conduit connectors which have been installed in sides of the *access point enclosure*. In order to maintain a separation of signal and power, install the data and power cables through opposite sides of the enclosure. Snap the fire stop grommet around the cable and insert it into the conduit connector and pull the data cable through far enough to allow attachment to the access point (8" - 10"). Attach any additional data cables as necessary and power up the networked devices.

Step 6 – (For Wall Installation Only) Model 1028-04-ANT5-B requires at least 8" of free space above the ceiling or behind the wall to allow for clearance. The Anchoring points on the flange are 16" apart. For wall installation, cut a 14" X 18" hole. Additional clearance and bracing may be necessary. Use appropriate hardware to secure the enclosure. Drywall anchors and cinderblock anchors may be used.

Step 7 – If stud spacing permits, position the enclosure so that the mounting holes are centrally located with the studs. For metal studs, use #10 sheet metal screws (or, for wood studs, use #10 wood screws). The screws should be a minimum of 2" in length. Make sure that the screw is inserted directly into the stud. Securely tighten the screws after inserting them through the screw snap cap washer, and be sure that the screw is inserted directly into the joist. Press the provided screw snap caps onto the screw head. Alternatively, if no studs are available for mounting, drywall anchors or cinderblock anchors may be used. Be sure to use appropriate hardware for the wall construction type. (Reference Figure 4)

⚠ IMPORTANT** - This is an important safety feature that could prevent human injury or damage to the equipment should the unit become dislodged from the ceiling.**

Step 8 – (For Ceiling Installation Only) Use hanger wires (included) to support the *enclosure*. Attach one end of the wire to the mounting brackets located along the edge of the back box and the other end to a permanent structural component of the building such as a joist. Two supporting grid wires should be attached to each corner. Reference Oberon's OPA 1638 drawing (at <http://oberonwireless.com/WebDocs/OPA-1638-10.pdf>). For ceiling installation, cut a 18" tall X 14" wide rectangular hole. If space permits, position the enclosure so that the mounting holes are centrally located with the joists. For metal joists, use #10 sheet metal screws (or, for wood joists, use #10 wood screws). The screws should be a minimum of 2" in length. Securely tighten the screws after inserting them through the screw snap cap washer, and be sure that the screw is inserted directly into the joist. Press the provided screw snap caps onto the screw heads.

Step 9 – Close and lock the access door. Extra force may be necessary to compress the gasket. The installation is now completed.
NOTE: Additional sealing precautions around edges of the enclosure may be necessary.

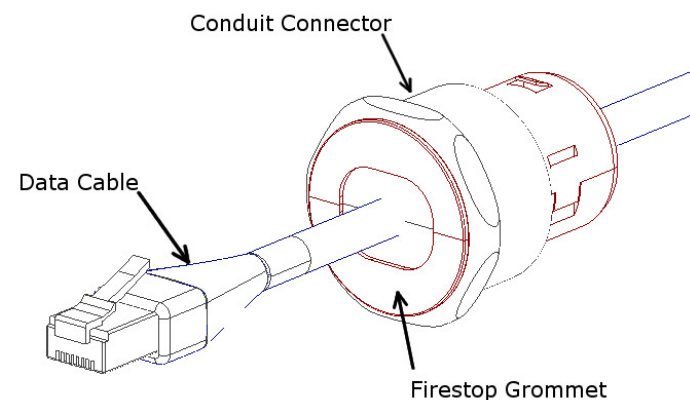


Figure 5 – Snap the Firestop Grommet around the Data Cable and pull through the Conduit Connector as shown.



MODEL 1028-04-ANT5-B

Installation Instructions

****** WARNING ******

Please thoroughly read the product warning below before installation to provide for a safe work environment.

1. Ceiling mounted products should be installed in accordance with National Electric Code paragraphs 300.10 (Electrical Continuity of Metal Raceways and Enclosures) and 300.11 (Securing and Supporting). Independent support wires or other means must be used for the installation of this product in the ceiling. Acoustical, suspended, false, drop and concealed spline ceiling grid work is not designed to support the weight of this product. Oberon's ceiling mounted products have four support wire tabs on the back box. These tabs shall be used for supporting the product with independent support wires, wire rope, threaded rod, or other secure support means of adequate gauge and fire resistance.
2. When closing the enclosure access door, be sure that the cam lock is completely engaged to prevent the access door from accidentally swinging open.
3. When opening the enclosure door, be sure to support the door to prevent the door from accidentally falling open.
4. This enclosure has a maximum operating ambient of 55° C (131° F), the temperature within the enclosure may not exceed this temperature, depending on power dissipation within enclosure.
5. A minimum air clearance of 1" between the housing of the access point and the enclosure side walls must be maintained for the safe operation of the equipment.
6. This product is intended to be installed by trained personnel.
7. Only Listed ITE products and Listed AC Receptacles shall be installed within the enclosure.
8. This product is to be repaired by personnel trained by the manufacturer or returned to the manufacturer for repair or replacement.
9. Maximum weight to be installed in the unit is 44 lbs.
10. All knockouts, openings, and holes shall be sealed with a plug constructed of metal, or a non-metal material that complies with UL 2043 or UL 1479.
11. All unused mounting holes should be sealed with tape or other material that complies with UL 1479.
12. If AC power is used inside the enclosure, connect the ground wire to the green ground screw located near the knockout in the backbox.