

Installation Instructions

Motive® Vertical Cable Manager

Safety Information



WARNING: Product is heavy. Use two people to lift.



WARNING: Do not lift product by plastic fingers.



WARNING: Product not designed for stand-alone use. Support product properly until bolted to rack. Do not leave unsupported product unattended.



WARNING: Make sure door hinges engage completely when installing door.

Intended Use

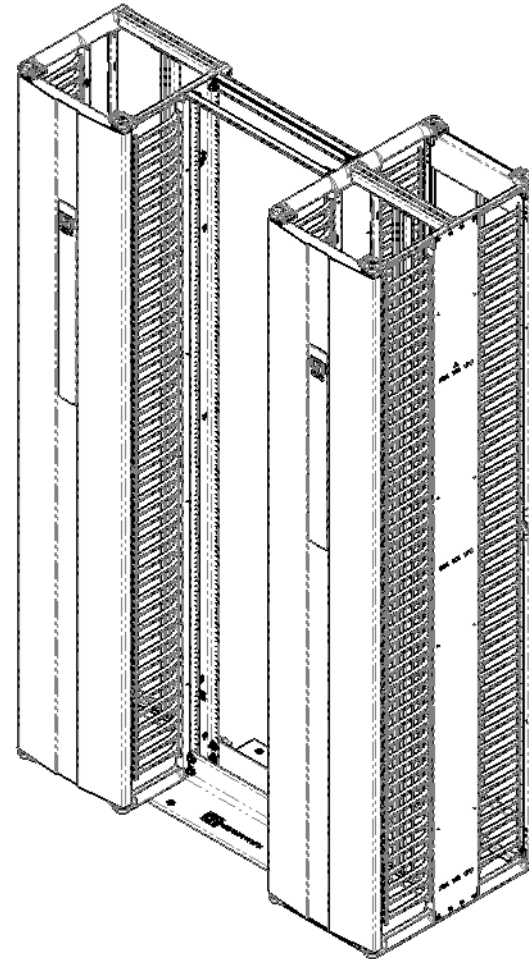
Install this vertical cable manager (VCM) only in a restricted service environment, such as a data center or telecommunications room. Use indoors only, in environmentally controlled areas; do not use outdoors, in harsh environments or in air-handling spaces. Use this VCM to house copper and fiber data communications cabling. Allow only qualified service personnel to use this VCM.

Included Hardware

QTY	DESCRIPTION
8	M8x20 Carriage Bolt
8	M8 Washer
8	M8 Hex Flange Nut

Required Tools

Manual or Powered Driver



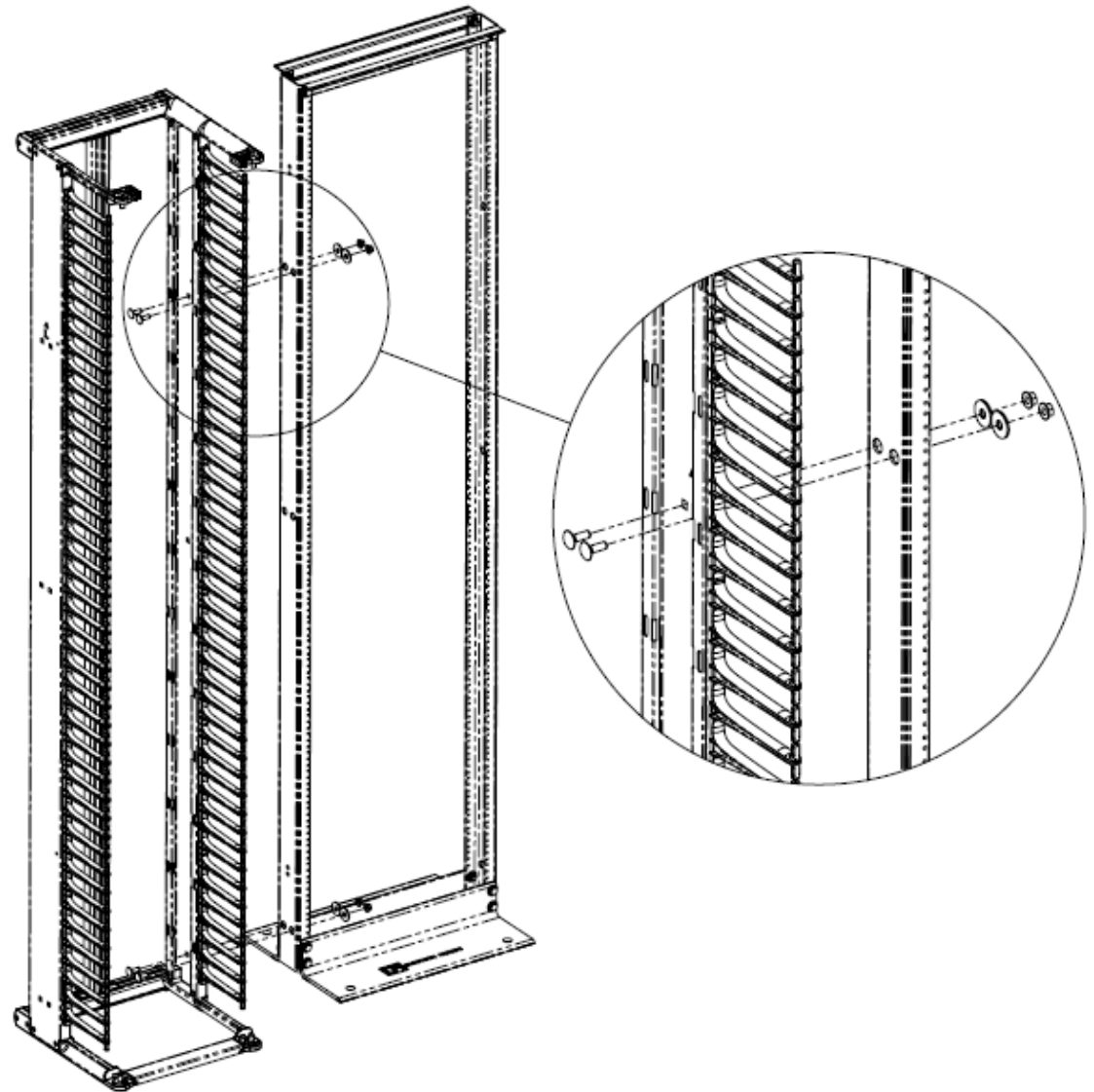
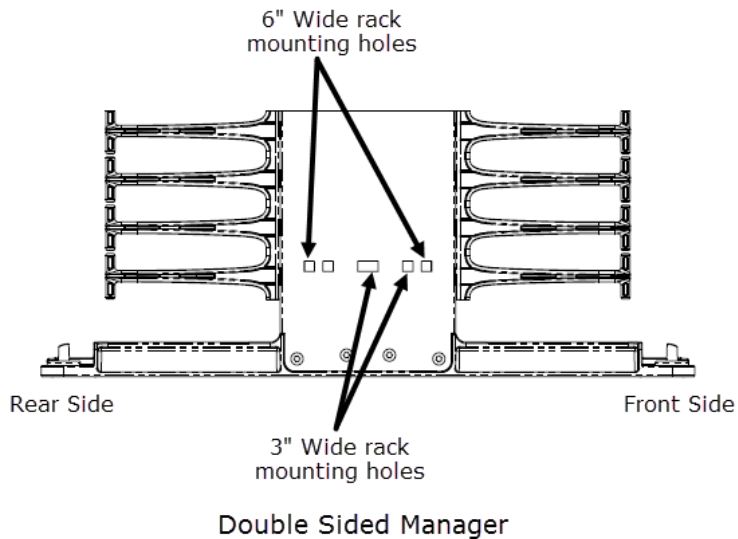
IIS-737610, 05/31/2024, Rev. 1, CPI/BGJ
800-834-4969 (USA & Canada) • www.chatsworth.com • techsupport@chatsworth.com
For international phone numbers, see our website or contact CPI Tech Support.

This drawing contains proprietary and confidential information and is protected by U.S. and international law. Unauthorized reproduction, disclosure or use of the drawing or the information therein is expressly forbidden except as agreed to in writing by Chatsworth Products, Inc.

Installation Instructions

Motive® Vertical Cable Manager

1. Mounting the cable manager to the rack:
 - a. Position the manager next to the rack. For the double-sided manager use the appropriate mounting holes as show below; for 3" wide racks the inner holes are used with the manager biased towards the rear, for 6" wide racks the outer holes are used.
 - b. Attach the manager to the rack using 4 each of M8 carriage bolts, washers, and flange nuts. Use the upper and lower pairs of holes as shown in the picture on the right.
 - c. If the manager is being mounted between two racks, repeat Step b. for the other side.



Installation Instructions

Motive® Vertical Cable Manager

2. Installing Doors:

- a. Stand the door upright; the front door will have the logo at the top. For double sided managers, the rear door is a plain flat door (no logo). The two blue latches on the back side of the door should be pointing downward for the correct orientation.
- b. Lift the door with the top angled outward and position the bottom hinges over the pins on the manager arms as shown at right.
- c. Push the top of the door inward until the top hinges engage.



WARNING: Check that all 4 hinges are fully engaged by pulling out on the door before removing hands from door.

3. Door Operation:

- a. Left Hinging: Pull right door latch upward and pull door open.
- b. Right Hinging: Pull left door latch upward and pull door open.
- c. To Close Door: Simply push door closed, the hinges will automatically engage.
- d. To Remove Door: With hands on each side of door, pull both door latches simultaneously and lift door from frame.

