

# Installation Instructions

## Z4-SERIES SEISMICFRAME FRONT DOOR

### Installation Notes:



**CAUTION:** The door must remain supported during repositioning so that the hinge components are not damaged. Use blocks or have an assistant support the edge of the door opposite the hinges. Do not allow the top hinge to support the entire weight of the door during repositioning.

### Included Hardware:

M6 X 16mm CSK FH Screw, 4 ea.

M6 X 12mm Screw, 1 ea.

### Tools Required:

#3 Phillips screwdriver

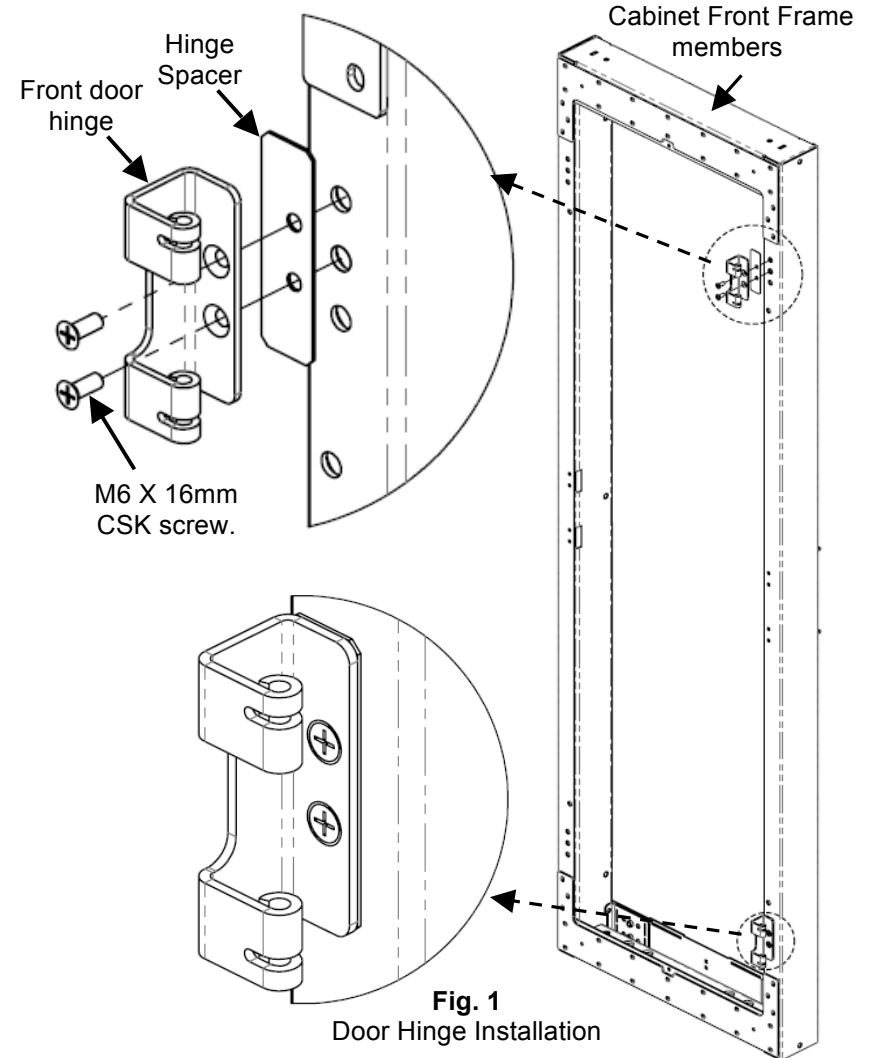
Flat screwdriver

### Assembly Notes:

A bonding jumper wire, bonding connection points, and attaching hardware are provided for electrically bonding the door to the cabinet frame.

### Assembly Sequence:

1. Decide how you want the door to open – hinges on left or hinges on right.
2. Attach each hinge and hinge spacer to the frame with two M6 X 16mm CSK screws in orientation shown in Fig. 1 (Hinge orientation is opposite if placing hinges on the left).



IIS-714490, 4/3/14, Rev. 1, CPI/BMO

800-834-4969 (USA & Canada) • [www.chatsworth.com](http://www.chatsworth.com) • [techsupport@chatsworth.com](mailto:techsupport@chatsworth.com)

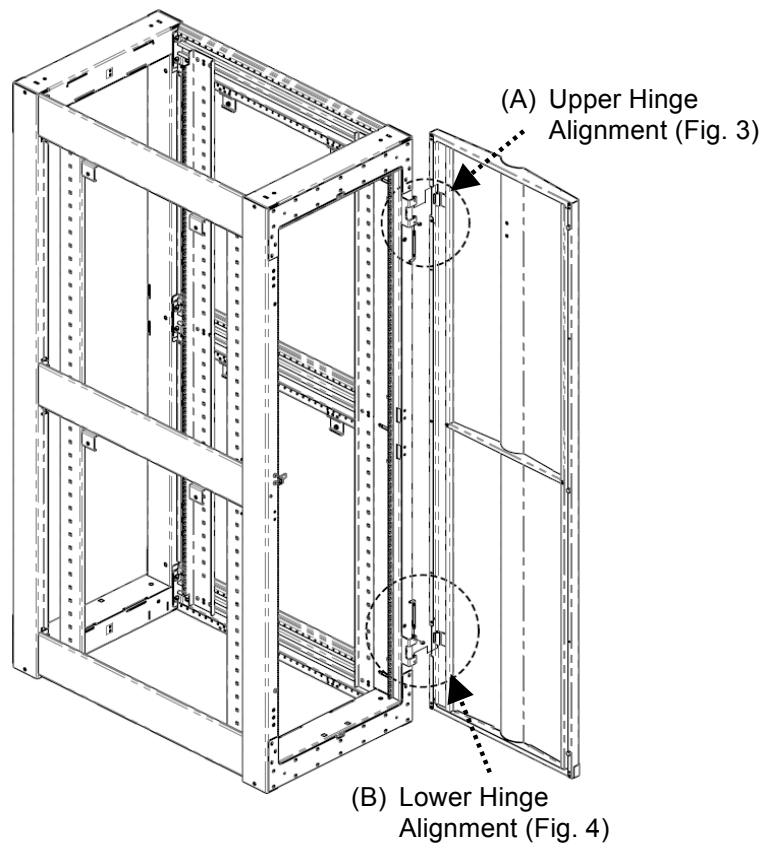
For international phone numbers, see our website or contact CPI Tech Support.

*This drawing contains proprietary and confidential information and is protected by U.S. and international law. Unauthorized reproduction, disclosure or use of the drawing or the information therein is expressly forbidden except as agreed to in writing by Chatsworth Products, Inc.*

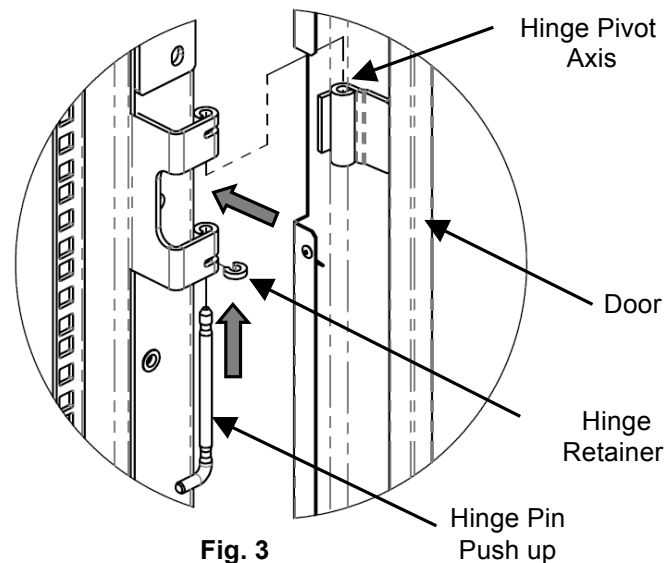
# Installation Instructions

## Z4-SERIES SEISMICFRAME FRONT DOOR

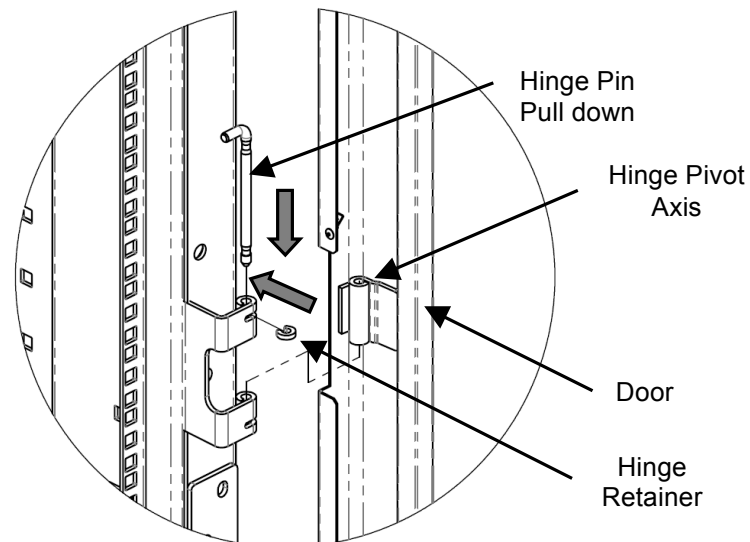
3. Orient the front door perpendicular to the cabinet, with the upper part of the door tilted sideways slightly away from the cabinet (Fig. 2)
4. Carefully lower the door onto the lower hinge. Be sure that the hinge pin aligns correctly with the hinge pivot axis in the door frame then install the hinge pin from top and attach hinge retainer (Fig. 2 and 4).
5. Engage the upper hinge pin in the door from bottom and attach hinge retainer. Make sure pin is fully engaged with hinge. (Fig. 2 and 3).



**Fig. 2**



**Fig. 3**  
Upper Hinge Alignment



**Fig. 4**  
Lower Hinge Alignment

# Installation Instructions

## Z4-SERIES SEISMICFRAME FRONT DOOR

- Using an M6X12mm screw, attach the end of the bonding jumper wire with the ring terminal to the frame threaded nut nearest to the bottom door hinge. Orient ring terminal as shown when tightening screw (Fig.5)
- Electrically bond the door to the cabinet frame by plugging the quick-connect end of the bonding jumper wire onto the quick-disconnect tab nearest the lower door hinge (Fig. 5).
- To remove the door, unplug the quick-connect end of the bonding jumper wire from the door. Open the door perpendicular to the cabinet. Remove the upper and lower hinge retainer by using flat screw driver then Pull down the handle of the upper hinge pin and push up the handle of lower hinge pin. Tilt the door away from the upper hinge to remove (Fig. 5).

