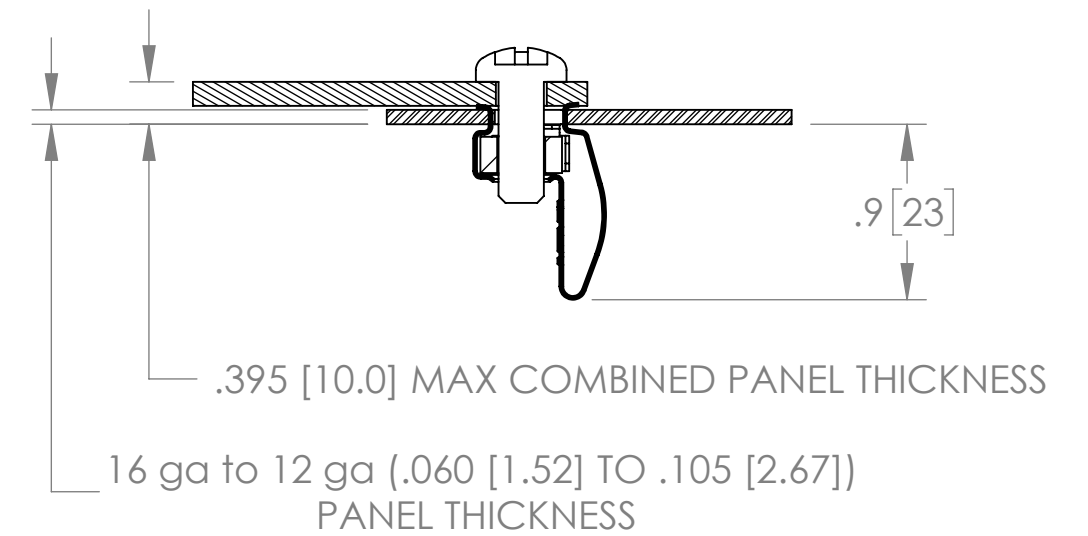
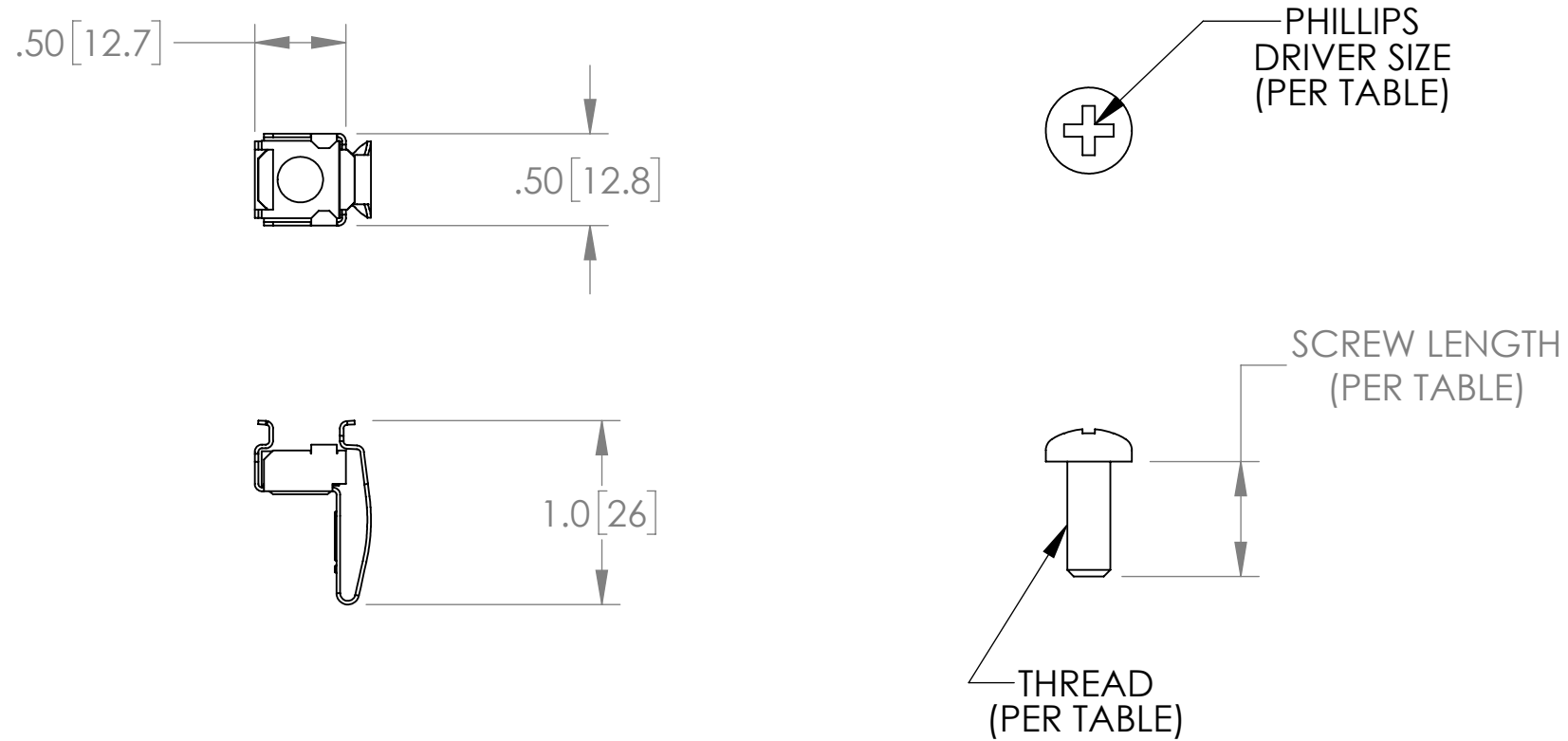


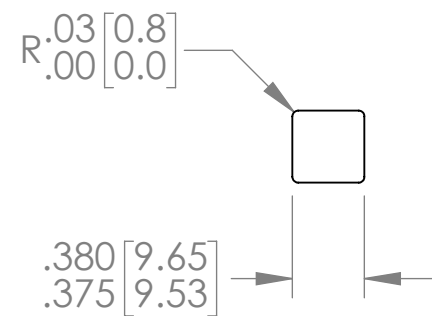
TYPICAL APPLICATION



ADJACENT CORNER APPLICATION



MOUNTING HOLE



PART NUMBER	PACKAGE QTY	THREAD SIZE	SCREW LENGTH	PHILLIPS DRIVER
76543-X01	25	M6 X1.0	16 mm	#3
76543-X02	250			
76543-X03	1,000			
76544-X01	25	12-24	5/8"	#3
76544-X02	250			
76544-X03	1,000			
76545-X01	25	10-32	5/8"	#2
76545-X02	250			
76545-X03	1,000			

X = FINISH: 0 = ZINC, 7 = BLACK



800-834-4969 techsupport@chatsworth.com www.chatsworth.com

**Clik-Nut™
Hardware Kit
Specification Sheet**

THIS DRAWING CONTAINS PROPRIETARY AND CONFIDENTIAL INFORMATION AND IS PROTECTED BY U.S. AND INTERNATIONAL LAW. UNAUTHORIZED REPRODUCTION, DISCLOSURE OR USE OF THE DRAWING OR THE INFORMATION THEREIN IS EXPRESSLY FORBIDDEN EXCEPT AS AGREED TO IN WRITING BY CHATSWORTH PRODUCTS, INC.