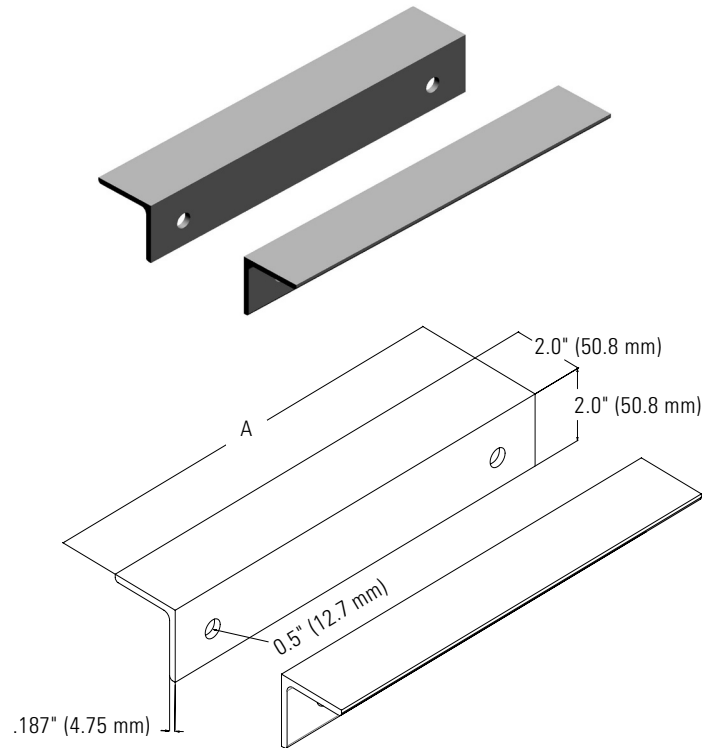


# WALL ANGLE

Steel angles used as a wall support or as part of earthquake bracing.

- Material is 2" x 2" x 3/16" steel
- Holes are 0.5" (12.7 mm) in diameter ; centered 1.25" (31.75 mm) from ends



## ORDERING INFORMATION

Part Number	Dimension "A"	Shipping Weight lb (kg)
11420-X01	12" (300 mm)	3 (1.4)
11420-X04	48" (1200 mm)	7 (3.2)
11420-X08	96" (2400 mm)	20 (9.1)
11420-X10	120" (3000 mm)	23 (10.4)

Notes: X=Color; 1= Gray, 2=Computer Beige, 7=Black.

### United States

Agoura Hills, CA  
800-834-4969

### Canada

Toronto, Ontario, Canada  
+905-850-7770

### Europe

Buckinghamshire, UK  
+441628524834

### Middle East & Africa

Dubai, UAE  
+971-4-2602125

Doha, Qatar  
+974-4-267422

### Latin America

+52-55-5203-7525  
Toll Free within Mexico  
800-201-7592  
chatsworth.com.co

### Asia Pacific

+86 21 6880-0266  
chatsworth.com.cn



CHATSWORTH  
PRODUCTS