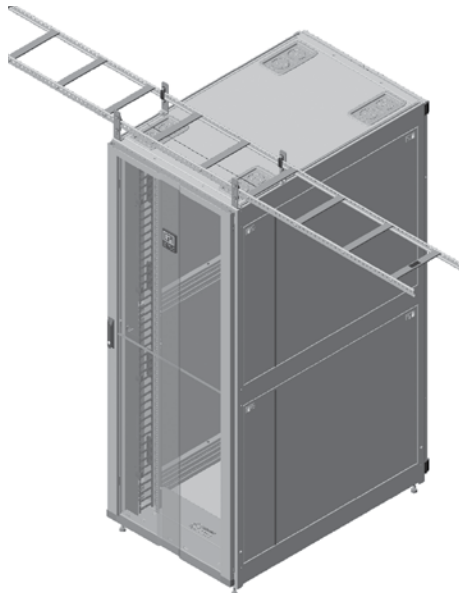




CHATSWORTH
PRODUCTS

ZetaFrame® Cabinet with Bonding, Power, and Cable Management

Our innovative system powers and protects your technology investment with its modular, holistic approach that effectively integrates cable, thermal and power management, environmental monitoring, and access control. The ZetaFrame® Cabinet System works together as a single-vendor turnkey platform that supports increasing power densities while reducing costs and optimizing efficiency, availability, security, and scalability for evolving enterprise-owned, multi-tenant, cloud hyperscale, and edge data centers.



chatsworth.com/zetaframe

ZetaFrame® Bundled Solution

ZetaFrame® Cabinet

ZetaFrame® Cabinet System
ZB45-A120A-E1

The ZetaFrame® Cabinet is even better when you bundle these accessories together.



Cable Management

Vertical Cable Manager
38646-E36



Power Management

Monitored eConnect® PDUs
EA-3018-CE



Bonding & Grounding

Rack Bonding Busbar
10610-019



Cable Runway

Cable Pathway Elevation Kit
60508-E06



Electronic Locks

RFID Electronic Lock Kit
14666-001



Accessories

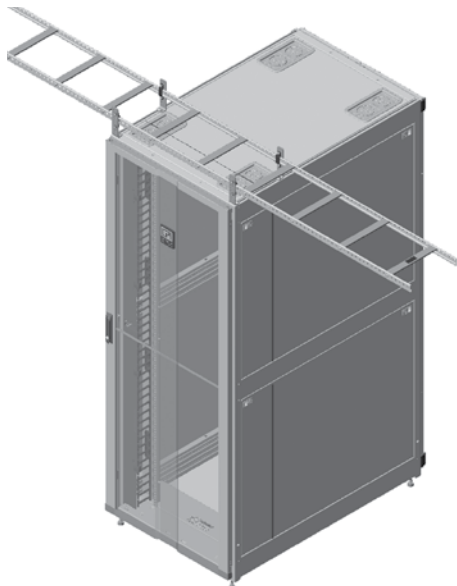
Clik-Nut® Hardware Kit
76543-001



ZetaFrame® Cabinet with Bonding, Power, and Cable Management

Key Features:

- Reduces heat and protects equipment with thermal management solutions:
 - Passive cooling solutions such as aisle containment and vertical exhaust dust
 - Active cooling solutions like direct-on-chip liquid cooling, which efficiently handles extreme power densities in high-performance computing environments, are imperative for protecting data center equipment
- Integrates cable management with toolless managers and accessories
- Manages power with intelligent eConnect PDUs
- Monitors conditions with environmental sensors
- Protects infrastructure with electronic locks
- Provides the industry's highest load capacity with Shock Pallet



chatsworth.com
techsupport@chatsworth.com
800-834-4969

ZetaFrame® Cabinet (ZB45-A120A-E1)

Customer-specified, factory-assembled solution reduces component count, packaging and on-site assembly, saving time and delivery cost.

Vertical Cable Manager (38646-E36)

Keep network cables separate and organized using the following cable management accessories.

Monitored eConnect® PDUs (EA-3018-CE)

Monitored eConnect® PDUs provide remote power monitoring to the input and branch circuit level, making it possible to obtain and manage power consumption at the cabinet level.

Rack Bonding Busbar (10610-019)

Use Rack Bonding Busbar for consolidating equipment bonding.

Cable Pathway Elevation Kit (60508-E06)

Supports CPI Cable Runway or Wire Mesh Cable Tray above a continuous row of ZetaFrame Cabinet, providing additional space between the tops of the cabinets and the cable runway and trays.

RFID Electronic Lock Kit (14666-001)

The Electronic Lock Kit solution can be preinstalled in CPI Cabinets and features swinghandles with integrated dual-frequency card reader technology. Audit trail capability allows for enhanced regulatory compliance.

Clik-Nut® Hardware Kit (76543-001)

Clik-Nut® Hardware Kit by Chatsworth Products (CPI) solves the fundamental issues with standard cage nuts.

Take advantage of fast lead times and ample inventory! Get started [here](#).