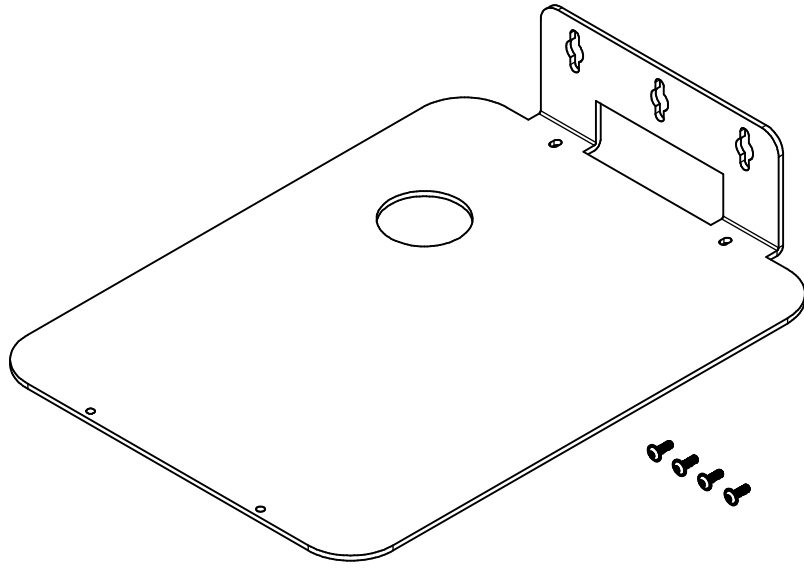


REVISION HISTORY				
ZONE	REV	DESCRIPTION	DATE	APPROVED
All	1	Released	9/14/2020	CAH



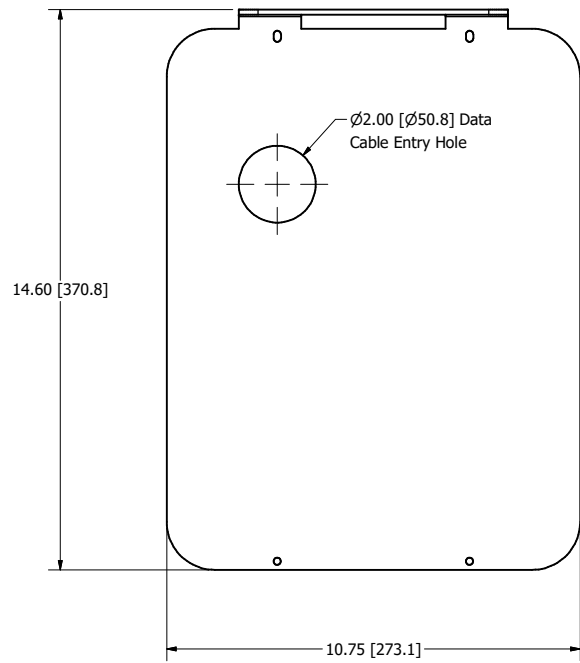
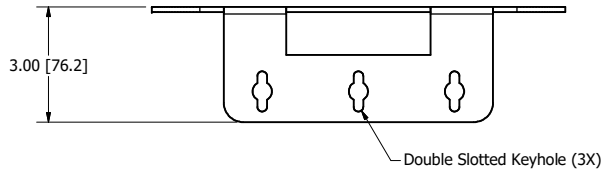
NOTES:

- Weight: 7 lbs.
- Material: 10 Ga. White Powder Coated Steel
Right Angle Bracket

Includes:

- (1) Right Angle Bracket
- (4) M4 x 10mm Long Flanged Button Head Screws

DRAWN CAH	9/14/2020	Oberon, Inc. - 1315 S. Allen St. - State College, PA 16801		
CHECKED CAH	9/14/2020	TITLE		
QA		Nodel 39-1022-RAB		
MFG CAH	9/14/2020	SIZE C	DWG NO 39-1022-RAB	REV 1
APPROVED CAH	9/14/2020	SCALE	SHEET 1 OF 2	
TOLERANCE:	.0 = +/- .030 .00 = +/- .015 .000 = +/- .005			



DRAWN CAH	9/14/2020	Oberon, Inc. - 1315 S. Allen St. - State College, PA 16801		
CHECKED CAH	9/14/2020	TITLE		
QA		Nodel 39-1022-RAB		
MFG CAH	9/14/2020	SIZE C	DWG NO 39-1022-RAB	REV 1
APPROVED CAH	9/14/2020	SCALE	SHEET 2 OF 2	
TOLERANCE:	.0 = +/- .030 .00 = +/- .015 .000 = +/- .005			