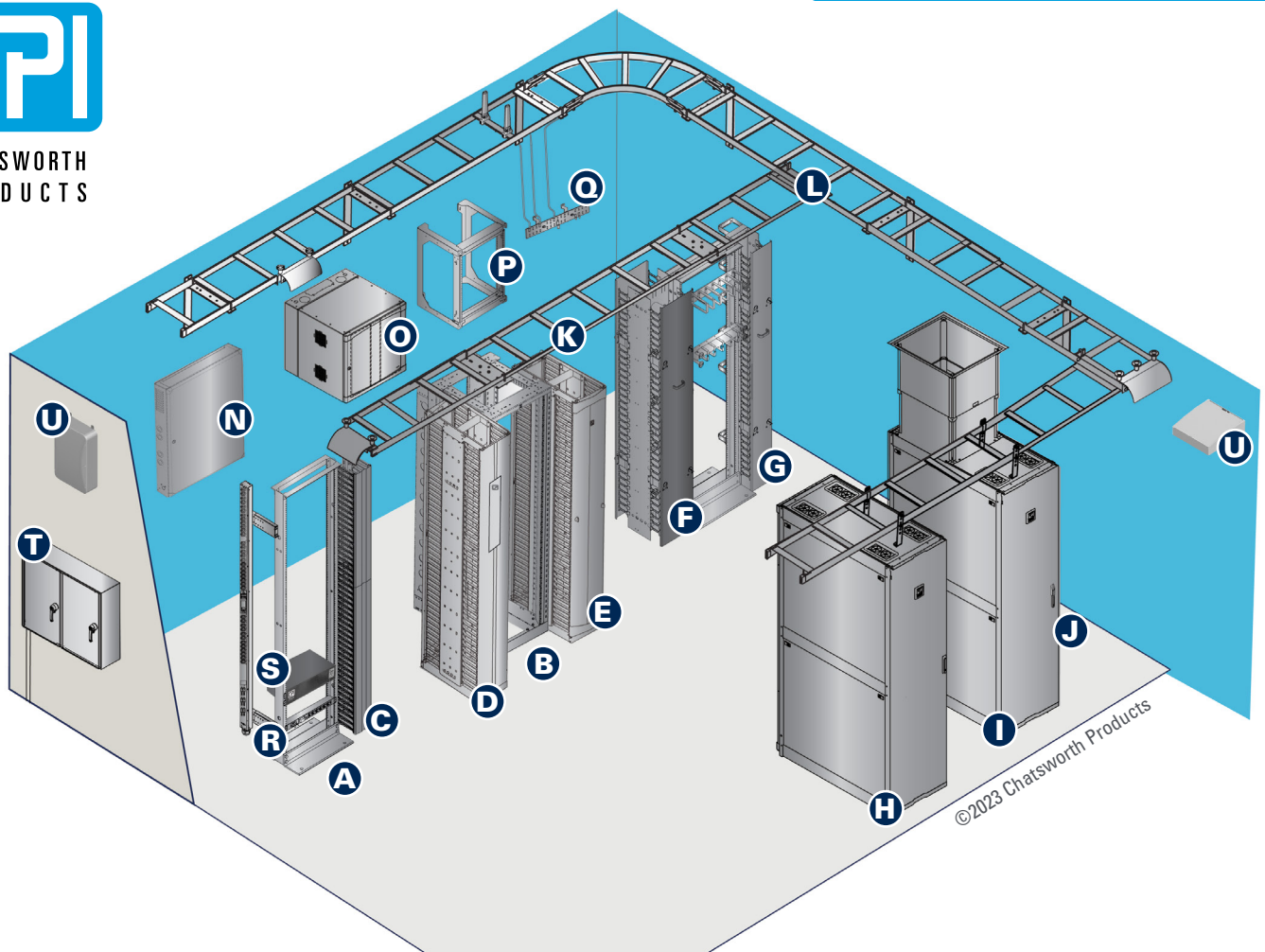




CHATSWORTH  
PRODUCTS



## Specify the critical support components of a telecommunications room in five steps.

### Step 1: Select a Rack or Cabinet System

- A– Two-Post Standard Rack
- B– Adjustable Rail Server Rack
- H– ZetaFrame™ Cabinet
- I– ZetaFrame Cabinet with Vertical Exhaust Duct
- J– Electronic Lock Kit

### Wall-Mount Cabinets/Racks

- N– ThinLine II Wall-Mount Cabinet
- O– CUBE-iT® Wall-Mount Cabinet
- P– Standard Swing Gate Wall Rack

### Step 2: Select Cable Management

- C– Velocity® Cable Management
- D– Motive® Cable Management
- E– Evolution® Cable Management
- F– MCS Master Cabling Section
- G– CCS Combination Cabling Section

### Step 3: Select Power Solutions

- R– eConnect® PDUs
- S– Uninterruptible Power Supply (UPS)

### Step 4: Select Bonding and Grounding

- Q– Primary and Secondary Busbars

### Step 5: Select Cable Pathway

- K– Adjustable Cable Runway
- L– Universal Cable Runway

### Other Options:

- T– RMR® Industrial Enclosures
- U– Oberon Wireless Enclosures

©2023 Chatsworth Products. Reproduction in any format, printed or electronic, without written consent is strictly prohibited.

## Step 1: Select a Rack or Cabinet System

### Q: What will you be installing in the rack?

#### Rack Systems

##### Open, floor-mount racks for patch panels, fiber enclosures and small network switches

55053-703	Standard Rack, 45 U, 3"D (80 mm), 19"EIA, 84"H x 20.3"W x 15"D (2100 mm x 515 mm x 381 mm), 1000 lb (453.6 kg) capacity, UL Listed
46353-703	Universal Rack, 45U, 19"EIA, 84"H x 20.3"W x 15"D (2100 mm x 515 mm x 381 mm), 1500 lb (680.4 kg) capacity

##### Open, floor-mount racks for large network switches (QuadraRacks) or servers (ServerRacks).

15251-703	Adjustable Rail QuadraRack, 45U, 19"EIA, 84"H x 23.6"W x 23.62"D to 29.52"D (2100 mm x 600 mm x 600 mm - 750 mm), 2200 lb (1000 kg) capacity, UL Listed
15254-703	Adjustable Rail ServerRack, 45U, 19"EIA, 84"H x 23.6"W x 35.43"D to 41.33"D (2100 mm x 600 mm x 900 mm - 1050 mm), 2200 lb (1000 kg) capacity, UL Listed
15217-703	Adjustable QuadraRack, 45U, 19"EIA, 84"H x 20.3"W x 29.53"D to 35.43"D (2100 mm x 515 mm x 750 mm - 900 mm), 2000 lb (907.2 kg) capacity, UL Listed
15213-703	Adjustable ServerRack, 45U, 19"EIA, 84"H x 20.3"W x 29.53"D to 35.43"D (2100 mm x 515 mm x 750 mm - 900 mm), 2000 lb (907.2 kg) capacity, UL Listed
50120-703	QuadraRack 4-Post Frame, 45U, 19"EIA, 84"H x 20.3"W x 29"D (2100 mm x 515 mm x 740 mm), 2000 lb (907.2 kg) capacity
15053-703	QuadraRack Server Frame, 45U, 19"EIA, 84"H (2100 mm) x 20.3"W (515 mm) x 29"D (740 mm), 1000 lb (453.6 kg) capacity

#### Wall-Mount Systems

##### Open, wall-mount racks for patch panels, fiber enclosures and small network switches (UL Listed)

11790-718	Standard Swing Gate Wall Rack, 12U, 19"EIA, 29.1"H (739 mm) x 21.7"W (551 mm) x 18.2"D (462 mm), 100 lb (45.4 kg) capacity
11790-725	Standard Swing Gate Wall Rack, 12U, 19"EIA, 29.1"H (739 mm) x 21.7"W (551 mm) x 25.2"D (640 mm), 100 lb (45.4 kg) capacity
11791-718	Standard Swing Gate Wall Rack, 20U, 19"EIA, 43.1"H (1095 mm) x 21.7"W (551 mm) x 18.2"D (462 mm), 100 lb (45.4 kg) capacity
11791-725	Standard Swing Gate Wall Rack, 20U, 19"EIA, 43.1"H (1095 mm) x 21.7"W (551 mm) x 25.2"D (640 mm), 100 lb (45.4 kg) capacity

##### Secure, wall-mount cabinets for patch panels, fiber enclosures and small network switches

11840-724	CUBE-iT® Wall-Mount Cabinet, 12U, 19"EIA, 24"H x 24"W x 24"D (610 mm x 610 mm x 610 mm), 300 lb (136 kg) capacity, Solid Metal Door, UL Listed
11900-724	CUBE-iT Wall-Mount Cabinet, 12U, 19"EIA, 24"H x 24"W x 24"D (610 mm x 610 mm x 610 mm), 300 lb (136 kg) capacity, Tempered Glass Door, UL Listed
11900-736	CUBE-iT Wall-Mount Cabinet, 19U, 19"EIA, 36"H x 24"W x 24"D (910 mm x 610 mm x 610 mm), 300 lb (136 kg) capacity, Tempered Glass Door, UL Listed
12419-736	CUBE-iT Wall-Mount Cabinet, 19U, 19"EIA, 36"H x 24"W x 30"D (910 mm x 610 mm x 760 mm), 300 lb (136 kg) capacity, Tempered Glass Door, UL Listed
13050-713	ThinLine II Wall-Mount Cabinet, 6U, 19"EIA, 26 H x 26"W x 12"D (660 mm x 660 mm x 300 mm), 100 lb (45.4 kg) capacity, Solid Metal Door

Note: Bold indicates most popular part numbers.



Standard Rack, Two-Post  
in Glacier White



CUBE-iT®  
Wall-Mount Cabinet



ZetaFrame™ Cabinet  
in Glacier White

### Q: What will you be installing in the cabinet system?

#### Server Cabinets and Network Cabinets

##### ZetaFrame™ Cabinet, Standard Option

ZB15-A120A-71	ZetaFrame Cabinet, 84.6"H x 23.6"W x 47.2"D (2149 mm x 600 mm x 1200 mm), 45U, 5000 lb (2268 kg) capacity, Perf Front Door, Double Perf Rear Door, Grommet Top Panel, 2 Side Panels, No Bottom Panel, Air Dam, Standard Pallet, Black, UL Listed
ZB45-A120A-71	ZetaFrame Cabinet, 84.6"H x 31.5"W x 47.2"D (2149 mm x 800 mm x 1200 mm), 45U, 5000 lb (2268 kg) capacity, Perf Front Door, Double Perf Rear Door, Grommet Top Panel, 2 Side Panels, No Bottom Panel, Air Dam, Rail Grommets, Standard Pallet, Black, UL Listed

##### ZetaFrame Cabinet with Vertical Exhaust Duct Option

ZB15-DB21A-71	ZetaFrame Cabinet, 84.6"H x 23.6"W x 47.2"D (2149 mm x 600 mm x 1200 mm), 45U, 5000 lb (2268 kg) capacity, Perf Front Door, Solid Rear Door, Vertical Exhaust Duct 20"H-34"H (508 mm - 863 mm), 2 Side Panels, Grommet Bottom Panel, Air Dam, Standard Pallet, Black, UL Listed
ZB45-DB21B-71	ZetaFrame Cabinet, 84.6"H x 31.5"W x 47.2"D (2149 mm x 800 mm x 1200 mm), 45U, 5000 lb (2268 kg) capacity, Perf Front Door, Solid Rear Door, Vertical Exhaust Duct 20"H-34"H (508 mm - 863 mm), 2 Side Panels, Grommet Bottom Panel, Air Dam, Rail Brushes, Standard Pallet, Black, UL Listed

##### ZetaFrame Cabinet, Shock Pallet Option

ZB15-A120A-72	ZetaFrame Cabinet, 84.6"H x 23.6"W x 47.2"D (2149 mm x 600 mm x 1200 mm), 45U, 4000 lb (2268 kg) capacity, Perf Front Door, Double Perf Rear Door, Grommet Top Panel, 2 Side Panels, No Bottom Panel, Air Dam, Shock Pallet, Black, UL Listed
ZB45-A120A-72	ZetaFrame Cabinet, 84.6"H x 31.5"W x 47.2"D (2149 mm x 800 mm x 1200 mm), 45U, 4000 lb (2268 kg) capacity, Perf Front Door, Double Perf Rear Door, Vertical Exhaust Duct 20"H-34"H (508 mm - 863 mm), 2 Side Panels, No Bottom Panel, Air Dam, Rail Grommets, Shock Pallet, Black, UL Listed

#### Accessories

14666-001	eConnect® Electronic Locking Kit
34537-C02	Snap-In Filler Panel, 1U, 19"EIA, for Square Punched Mounting Rails, Pack of 50
34381-C02	Snap-in Filler Panel, 1U, 19"EIA, for Tapped Equipment Mounting Rails, Pack of 50
76544-001	Clik-Nut® Hardware Kit, #12-24 Cage Nuts and Screws, 25 Count, Zinc
76543-001	Clik-Nut Hardware Kit, M6 Cage Nuts and Screws, 25 Count, Zinc
60508-702	Cable Pathway Elevation Kit for ZetaFrame Cabinet, 1 Tier
40605-005	Combination Pan Head, Pilot Point Mounting Screws, #12-24, Package of 50
40750-719	Standard Single-Sided Steel Shelf, 3U, 19"EIA, 15"D (381 mm), 35 lb (15.9 kg) capacity
12803-701	LED Light Kit for CUBE-iT Wall-Mount Cabinet, Power Switch, 4W, 120 VAC, NEMA 1-15P Power Cord, White
40975-001	Low-Decibel Dual-Fan and Filter Kit for CUBE-iT Wall-Mount Cabinet, 120 CFM, 31 dBA, 115 VAC, 50/60 Hz, 6'L (1.8 m) NEMA 5-15P Power Cord, Includes 2 Fans and 2 Filters
40974-719	Rack-Mount Shelf, 1U, 19"EIA, 10"D (250 mm), 20 lb (9.1 kg) capacity
13051-001	Intelligent Fan Kit for 4U/6U ThinLine II Wall-Mount Cabinet, 120 CFM, 51 dBA, 115 VAC, 60Hz, NEMA 5-15P Power Cord
10629-119	Raised Floor Rack Support, for 19"EIA Rack, Height of Floor 10" (250 mm) to 16" (410 mm)
40604-003	Rack Concrete Floor Installation Kit, Includes (4) 1/2" threaded components, Zinc Finish

Note: All part numbers provided are in Black color. Glacier White options also available. Standard Rack, Universal Rack, QuadraRack, Standard Swing Gate Wall Rack, CUBE-iT Wall-Mount Cabinet and ThinLine II Wall-Mount Cabinet have threaded equipment rails and use #12-24 mounting screws. ServerRack, and ZetaFrame Cabinet have square-punched rails and use Clik-Nut hardware.

## Step 2: Select Cable Management

**Q: How many cable (drops) will you have per rack?  
Are you looking for horizontal and vertical management?  
Are you expecting regular changes (MACs) to equipment?**

### Cable Management for Two- and Four-Post Racks

#### For high-density copper and fiber optic applications

32610-703	Motive® Single-Sided Vertical Cable Manager, 84"H x 6"W x 15.5"D (2133 mm x 150mm x 394 mm)
<b>32620-703</b>	Motive Double-Sided Vertical Cable Manager, 84"H x 6"W x 23.6"D (2133 mm x 150 mm x 600 mm)
32612-703	Motive Single-Sided Vertical Cable Manager, 84"H x 10"W x 15.5"D (2133 mm x 250mm x 394 mm)
32622-703	Motive Double-Sided Vertical Cable Manager, 84"H x 10"W x 23.6"D (2133 mm x 250 mm x 600 mm)
32623-703	Motive Double-Sided Vertical Cable Manager, 84"H x 12"W x 23.6"D (2133 mm x 300 mm x 600 mm)
32613-703	Motive Single-Sided Vertical Cable Manager, 84"H x 12"W x 15.5"D (2133 mm x 300 mm x 394 mm)
35431-702	Motive Horizontal Cable Manager with Cable Pass-Through Ports, 2U, 19"EIA, 8.2"D (208 mm)
32650-701	Accessory Rod Assembly for Motive Single-Sided Vertical Cable Manager, Pair
32650-702	Accessory Rod Assembly for Motive Double-Sided Vertical Cable Manager, Pair
32657-001	Cable Bundle Swivel Kit for Motive Vertical Cable Manager, Pack of 12
32661-001	Rotating Management Finger Kit for Motive Vertical Cable Manager, Pack of 4
32651-001	Half Spool Kit for Motive Vertical Cable Manager, Pack of 4
32697-001	Tool-less Bend Radius Kit for Fiber Patch Cords, 1.1" H x 1.5" W x 5.4" D (28 mm x 38 mm x 137 mm), Pack of 10
32601-700	Dual PDU Bracket Kit for Motive Vertical Cable Manager
32602-703	Side Panel Kit for Motive Vertical Cable Manager, 84"H (2133 mm), (2)
32602-703	Side Panel Kit, 84"H x 1.2"W, 1 Pair

#### For high-density copper applications and moves, adds and changes (MACs)

35511-703	Evolution® g1 Single-Sided Vertical Cable Manager, 84"H x 6"W x 13.2"D (2133 mm x 150 mm x 335 mm)
<b>35521-703</b>	Evolution g2 Double-Sided Vertical Cable Manager, 84"H x 6"W x 24.5"D (2133 mm x 150 mm x 662 mm)
35513-703	Evolution g1 Single-Sided Vertical Cable Manager, 84"H x 10" W x 13.2" D (2133 mm x 250 mm x 335 mm)
35523-703	Evolution g2 Double-Sided Vertical Cable Manager, 84"H x 10"W x 24.5"D (2133 mm x 250 mm x 662 mm)
35514-703	Evolution g1 Single-Sided Vertical Cable Manager, 84"H x 12"W x 13.2" D (2133 mm x 300mm x 335 mm)
35524-703	Evolution g2 Double-Sided Vertical Cable Manager, 84"H x 12"W x 24.5"D (2133 mm x 300mm x 662 mm)
35441-702	Evolution Horizontal Cable Manager, Single-Sided, 2U, 19"EIA, 8.2" (208 mm)
35441-703	Evolution Horizontal Cable Manager, Single-Sided, 3U, 19"EIA, 8.2" (208 mm)

#### For medium-density cabling applications and occasional MACs

30092-703	MCS Master Cabling Section, Single-Sided, Vertical, 84"H x 6"W x 8"D (2100 mm x 150 mm x 205 mm)
30095-703	MCS Master Cabling Section, Double-Sided, Vertical, 84"H x 6"W x 16"D (2100 mm x 150 mm x 410 mm)
40092-703	MCS - EFX Master Cabling Section Extended Fingers, Single-Sided, Vertical, 84"H x 6"W x 10.6"D (2100 mm x 150 mm x 269 mm)
40095-703	MCS - EFX Master Cabling Section Extended Fingers, Double-Sided, Vertical, 84"H x 6"W x 21.2"D (2100 mm x 150 mm x 539 mm)
<b>30130-719</b>	Universal Horizontal Cable Manager, 2U, 19"EIA, 5"D (126 mm)

Note: Bold indicates most popular part numbers.

**Q: How many cable (drops) will you have per rack?  
Are you looking for horizontal and vertical management?  
Are you expecting regular changes (MACs) to equipment?**

### Cable Management for Two- and Four-Post Racks

#### For medium-density cabling applications and occasional MACs

30162-703	CCS Combination Cabling Section, for 3"D (80 mm) Racks, Double-Sided, Vertical, 84"H x 6"W x 12.2"D (2100 mm x 150 mm x 311 mm)
40098-703	CCS - EFX Combination Cabling Section Extended Fingers, Double-Sided, Vertical, 84"H x 6"W x 14.9"D (2100 mm x 150 mm x 379 mm)

#### For low-density cabling applications and very few MACs

13901-703	Velocity Single-Sided Vertical Cable Managers, for 84"H (2100 mm) 45U Racks, 80.5"H x 3.6"W x 9.7"D (2045 mm x 91 mm x 246 mm)
<b>13912-703</b>	Velocity Double-Sided Vertical Cable Managers, for 84"H (2100 mm) 45U Racks, 80.5"H x 6"W x 16.6"D (2045 mm x 152 mm x 422 mm)
<b>13930-701</b>	Velocity Horizontal Cable Manager, Single-Sided, 1U, 19"EIA, 5.9"D (150 mm)

### Cable Management for Cabinets

<b>40971-724</b>	Vertical Lashing Bracket for CUBE-iT Wall-Mount Cabinet, 24"H x 4"W (610 mm x 100 mm)
40971-736	Vertical Lashing Bracket for CUBE-iT Wall-Mount Cabinet, 36"H x 4"W (910 mm x 100 mm)
11837-701	Horizontal Wire Management Bar for CUBE-iT Wall-Mount Cabinet, 1.5"W x 19.3"W x 3.7"D (38 mm x 490 mm x 94 mm), Includes mounting hardware and (12) cable ties
38647-736	Vertical Cable Manager For ZetaFrame Cabinet, For 45U x 31.5"W (800 mm) Cabinet, Long Finger, With Cover
<b>38646-736</b>	Vertical Cable Manager For ZetaFrame Cabinet, For 45U x 31.5"W (800 mm) Cabinet, Short Finger, With Cover
<b>38635-703</b>	Cable Lashing Panel For ZetaFrame Cabinet, For 45U Cabinet, 4.5"W (115 mm), Includes 12 Cable Bundle Swivels
38636-703	Cable Lashing Panel For ZetaFrame Cabinet, For 45U Cabinet, 7.0"W (178 mm), Includes 12 Cable Bundle Swivels

Note: All part numbers provided are in Black color. Glacier White options also available.



Patented, Motive Cable Manager installation



Cable Managers installed in ZetaFrame Cabinet



## Step 3: Select Power Solutions

### Q: What functionality are you interested in?

What's the plug type?

How many outlets do you need and what type?

#### Power Strips

##### Several plug and outlets styles available

12816-701	Basic Horizontal Power Strip, 1.4 kW, NEMA 5-15P, 110-125V Single-Phase Input, 15A, (8) NEMA 5-20R Outlets, 1U
12816-705	Basic Horizontal Power Strip, 1.9 kW, NEMA 5-20P, 110-125V Single-Phase Input, 20A, (8) NEMA 5-20R Outlets, 1U
12816-706	Basic Horizontal Power Strip, 1.9 kW, NEMA L5-20P, 110-125V Single-Phase Input, 20A, (8) NEMA 5-20R Outlets, 1U
<b>12816-703</b>	Basic Horizontal Power Strip, 1.4 kW, NEMA 5-15P, 110-125V Single-Phase Input, Surge-Protected, 15A, (6) NEMA 5-20R Outlets, 1U
12816-707	Basic Horizontal Power Strip, 1.9 kW, NEMA 5-20P, 110-125V Single-Phase Input, Surge-Protected, 205A, (6) NEMA 5-20R Outlets, 1U
12816-708	Basic Horizontal Power Strip, 1.9 kW, NEMA L5-20P, 110-125V Single-Phase Input, Surge-Protected, 205A, (6) NEMA 5-20R Outlets, 1U

#### Power Distribution Units (PDUs)

Basic	Metered	Monitored	
E0-1003-X	E1-2003-X	EA-3003-X	eConnect® PDU, 3.3 kW, C20 to L6-20 Input Plug, 208V Single-Phase Input, 20A, (24)C13 Locking Outlets
E0-1015-X	E1-2015-X	EA-3015-X	eConnect PDU, 4.9 kW, L21-30 Input Plug, 120/208V Single-Phase Input, 30A, (36) C13 + (6) C19 Locking Outlets
<b>E0-1018-X</b>	<b>E1-2018-X</b>	<b>EA-3018-X</b>	eConnect PDU, 8.6 kW, NEMA L21-30 Input Plug, 120/208V Three-Phase Input, 30A, (36) C13 + (6) C19 Locking Outlets
E0-1007-X	E1-2007-X	EA-3007-X	eConnect PDU, 14.4 kW, CS8365 Input Plug, 208V Three-Phase Input, 50A, (30) C13 + (12) C19 Locking Outlets
E0-1009-X	E1-2009-X	EA-3009-X	eConnect PDU, 18 kW, IEC 32A 3P+N+E Input Plug, 220-240/308-415V Three-Phase Input, 32A, (30) C13 + (12) C19 Locking Outlets
Monitored Pro	Switched	Switched Pro	
EA-4069-X	EA-5069-X	EA-6069-X	eConnect PDU, 3.3 kW, C20 to L6-20 Input Plug, 208V Single-Phase Input, 20A, (18) C13 + (6) C19 Locking Outlets
EA-4012-X	EA-5012-X	EA-6012-X	eConnect PDU, 4.9 kW, L6-30 Input Plug, 208V Single-Phase Input, 30A, (18) C13 + (6) C19 Locking Outlets
EA-4035-X	EA-5035-X	EA-6035-X	eConnect PDU, 8.6 kW, NEMA L21-30 Input Plug, 120/208V Three-Phase Input, 30A, (36) C13 Outlets
EA-4144-X	EA-5144-X	EA-6144-X	eConnect PDU, 14.4 kW, CS8365 Input Plug, 208V Three-Phase Input, 50A, (24) C13 + (12) C19 Locking Outlets
EA-4145-X	EA-5145-X	EA-6145-X	eConnect PDU, 17.2 kW, IEC 60A 3P+E Input Plug, 208V Three-Phase Input, 60A, (24) C13 + (12) C19 Locking Outlets

#### Accessories

35700-701	Mounting Brackets for a Two-Post or Four-Post Rack System
<b>38638-703</b>	Full Height Dual PDU Bracket for ZetaFrame Cabinet; 45U

Go to [selectapdu.com](http://selectapdu.com) to configure the intelligent PDU for your application

### Q: What UPS battery type is needed?

Choose UPS topology - Line Interactive or Double conversion

Choose Plug type

#### Additional options available

LS350A/LS600A	Lithium Ion Standby 350VA - 600VA, For wall-mount enclosures, kiosks
LD1500A/LD2000A/LD3000A	Lithium Ion Online 1500VA - 3000VA, For open rack and cabinets; Rack/Tower convertible
VD1500A/VD2000A/VD3000A	Lead Acid Online 1000VA - 3000VA, For open rack and cabinets; Rack/Tower convertible
VD5000B/VD6000B/VD10kB	Lead Acid Online 5000VA - 10000VA, For open rack and cabinets; Rack/Tower convertible
VL800A/VL1100A/VL1500A/VL2000A/VL3000A	Lead-Acid Line Interactive 800VA - 5000VA, For open rack and cabinets; Rack/Tower convertible

## Step 4: Select Bonding & Grounding

### Q: Per the TIA-607 Generic Telecommunications Bonding and Grounding (Earthing) for Customer Premises standard:

Do you have a bonding busbar for the equipment room?

Do you have rack bonding busbars for your racks?

Do you have bonding components to connect racks, pathway and busbars?

#### Primary and Secondary Bonding Busbars

13622-010	Secondary Bonding Busbar (SBB), Wall-Mount, (4) 5/8" Centers, (3) 1" Centers, 2"H x 10"W x 3.2"D (50 mm x 250 mm x 80 mm)
<b>13622-012</b>	Secondary Bonding Busbar (SBB), Wall-Mount, (6) 5/8" Centers, (3) 1" Centers, 2"H x 12"W x 3.2"D (50 mm x 300 mm x 80 mm)
40153-012	ICT Primary Bonding Busbar (PBB), Wall-Mount, (15) 5/8" Centers, (3) 1" Centers, 4"H x 12"W x 3.2"D (100 mm x 300 mm x 80 mm)
40153-020	ICT Primary Bonding Busbar (PBB), Wall-Mount, (27) 5/8" Centers, (3) 1" Centers, 4"H x 20"W x 3.2"D (100 mm x 500 mm x 80 mm)

#### Rack Bonding Busbars

<b>10610-019</b>	Horizontal Rack Bonding Busbar (RBB), for 19"EIA Rack, (8) Tapped #6 Stud Ring Terminal Holes on 1" Centers, (2) 3/4" Centers, 3/4"H x 19"W x 3/16"D (19 mm x 483 mm x 5 mm), Includes Installation Hardware; (8) Rings
40161-036	Vertical Rack Bonding Busbar (RBB) Kit, (8) 5/8" Centers, (1) 1" Centers, 36"H x 5/8"W x 1/4"D (910 mm x 15 mm x 6 mm), Includes (1) #2 Lug
40161-072	Vertical Rack Bonding Busbar (RBB) Kit, (13) 5/8" Centers, (2) 1" Centers, 72"H x 5/8"W x 1/4"D (1830 mm x 15 mm x 6 mm), Includes (1) #2 Lug

#### Bonding Components

40162-901	Compression Lug, Two-Hole, #6 Cable, .625" (15.9 mm) Hole Spacing, 0.250" (6.4 mm) Hole Size, Blue, Each
40159-008	Rack Bonding Jumper Kit, for attaching Rack Bonding Busbar to Secondary Bonding Busbar, #6 AWG Stranded Conductor with (1) 5/8" Lug, 9"L (2.7 m)
40159-010	Equipment Bonding Jumper Kit, for attaching Equipment to Vertical Rack Bonding Busbar, #6 AWG Stranded Conductor with (2) 5/8" Lugs, 2'L (0.6 m)
40164-001	Cable Runway Bonding Strap Kit, #6 AWG Bonding Strap with hardware
40162-904	Compression Lug, Two-Hole, #2 Cable, .625" (15.9 mm) Hole Spacing, 0.250" (6.4 mm) Hole Size, Brown, Each
40159-001	Ground Wire, for attaching Rack and Bonding Busbars, #6 AWG Stranded MTW Conductor, 100'L (30 m), Spool
40163-001	C-Type Compression Tap; #4 Stranded; #6 Solid Run; #6 Stranded; #6 Solid Tap; Each
10605-019	Rack Base Insulator Kit, for 19"EIA Two-Post Rack, Each
40168-801	Copper-to-Copper Antioxidant Joint Compound; 8 oz (230 g); Each

Note: Bold indicates most popular part numbers.

X= Color; C=Black, E=Glacier White and CE=Redundancy Pack, which includes one Black PDU and one Glacier White PDU for easy identification of the primary and secondary unit; Bold indicates most popular part numbers. Horizontal PDUs also available at [chatsworth.com](http://chatsworth.com).

## Step 5 - Select Cable Pathway

**Q: How many cables are you supporting?**

### Cable Runway Systems

**UL Listed, Supports up to 132 lbs supported (60 kg) when every 5' (1.5 m)**

10250-712	Universal Cable Runway, 1.5"H x 12"W x 119.5"L (38 mm x 300 mm x 3035 mm)
10250-718	Universal Cable Runway, 1.5"H x 18"W x 119.5"L (38 mm x 460 mm x 3035 mm)
<b>14300-712</b>	Adjustable Cable Runway, 1.5"H x 12"W x 119.5"L (38 mm x 300 mm x 3035 mm)
<b>14300-718</b>	Adjustable Cable Runway, 1.5"H x 18"W x 119.5"L (38 mm x 460 mm x 3035 mm)
11301-701	Butt-Splice Kit, Cable Runway End-to-End Splice
11302-701	Junction-Splice Kit, Cable Runway L-shaped or T-shaped Splice
<b>10506-716</b>	Cable Runway Elevation Kit For Cabinets, 4"H - 6"H (100 mm -150 mm)
60508-706	Pathway Elevation Kit, ZetaFrame Cabinet, 4"H - 6"H (100 mm - 150 mm)
<b>11746-712</b>	Triangular Support Bracket, for 12"W (300 mm) Cable Runway
11746-718	Triangular Support Bracket, for 18"W (460 mm) Cable Runway
<b>11421-712</b>	Wall Angle Support Kit, for 12"W (300 mm) Cable Runway
11421-718	Wall Angle Support Kit, for 18"W (460 mm) Cable Runway
12362-712	Cable Runway Center Support Kit, for 12"W (300 mm) Cable Runway
<b>10642-001</b>	Protective End Caps, for Cable Runway
14308-001	Tool-less Pathway Dividers, 6"H (152 mm), Pack of 10
<b>14305-700</b>	Tool-less Stringer Radius Drop, Large, 10.5"W (268 mm)
14305-701	Tool-less Stringer Radius Drop, Small, 5.5"W (140 mm)
<b>14304-712</b>	Tool-less Cross Member Radius Drop, 12"W (300 mm)
14304-718	Tool-less Cross Member Radius Drop, 18"W (460 mm)
10822-712	Cable Runway E-Bend, For 12"W Cable Runway
14307-025	Adjustable Cable Runway Grounding Strap Kit, #6 AWG, 10.25 (260 mm) Center-To-Center Hole Spacing, Pack of 25
40164-025	Cable Runway Ground Strap Kit, #6 AWG Ground Strap with hardware, Package of 25 Kits
11440-002	Threaded Drop Rod, 5/8-11 UNC-2A, 72"L (1800 mm), Gold
10557-003	Threaded Rod I-Beam Clamp for 5/8-11 Threaded Rod, Gold
03003-002	Slip-On Lock Nut, 5/8-11, Gold
<b>10595-712</b>	Rack-to-Runway Mounting Kit, for 12"W (300 mm) Cable Runway
10595-718	Rack-to-Runway Mounting Kit, for 18"W (460 mm) Cable Runway
12362-718	Cable Runway Center Support Kit, for 18"W (460 mm) Cable Runway
10822-718	Cable Runway E-Bend, For 18"W Cable Runway
10608-701	Vertical Wall Brackets, for Cable Runway

Note: All part numbers provided are in Black color. Other options also available.



Cable Pathway Systems

## Enterprise Network - Wireless Enclosures

**Q: How do you secure and protect wireless access points?**

### Wireless Enclosures

**Secure. Aesthetic. Convenient.**

1047-CW9166	Oberon Wi-Tile™ Suspended Ceiling Enclosure with Locking Cisco CW9166 and CW9164 AP Door, 3"H x 23.75"W x 23.75"L (76 mm x 603 mm x 603 mm), White
1076-ARAP635	Oberon Wi-Tile™ Recessed Wall and Hard-Lid Ceiling Access Point Enclosure with Locking Aruba AP635 Door, 3"H x 15"W x 15"L (76 mm x 381 mm x 381 mm), White
1040-ARAP655	Oberon In-Plane™ Suspended Ceiling Access Point Installation Kit, Panel Bridge, Spring-Attached Aruba ARAP655 Trim, White
1042-COAP9136	Oberon In-Plane™ Recessed Ceiling Enclosure with Cisco 9136 Series AP Trim, White
1007-ARAP635	Oberon H-Plane™ Locking Right Angle Wall-Mount with Aruba AP635 Trim, 5"H x 14.3"W x 14.2"L (127 mm x 363 mm x 362 mm), White
1016-00	Oberon Hi-Bar™ Indoor Plastic Wi-Fi Access Point Lock Box with Opaque Door, 18"H x 12"W x 5.2"D (457 mm x 305 mm x 131 mm), White
1020-00	Oberon Skybar NEMA 4 Plastic Wi-Fi Access Point Enclosure with Opaque Screw-On Cover, 13.4"H x 9.3"W x 4.0"D (340 mm x 236 mm x 100 mm), Gray
1021-00	Oberon Skybar NEMA 4 Plastic Wi-Fi Access Point Enclosure with Opaque Screw-On Cover, 21"H x 13.5"W x 5.5"D (533 mm x 343 mm x 140 mm), Gray
3032-00-BK-48	Oberon NetPoint™ Wi-Fi Beveled Top Bollard, 48"H x 12" Diameter (1219 mm x 305 mm Diameter), Black. NetPoint Bollards are available in different heights and finishes.

Note: Access points are not included. Other options are available including doors and trims to match other APs and additional brackets to mount enclosures and antennas.



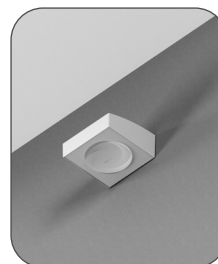
**Wi-Tile Model  
1047-CW9166**



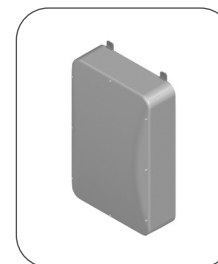
**In-Plane Model  
1040-ARAP635**



**In-Plane Model  
1042-COAP9136**



**H-Plane Model  
1007-ARAP635**



**Skybar Model 1021**



**NetPoint Model 3032**

Don't see your AP listed, find the right enclosure or mount quickly with the Oberon Solutions Finder: [chatsworth.com/solutions-finder](https://chatsworth.com/solutions-finder)



A division of Chatsworth Products

## Other Options - Industrial Enclosures

RMR® Industrial Enclosures	
Design it to order	RMR Modular Enclosure, UL Type 12, IP 55
Design it to order	RMR Swing Wall-Mount Enclosure, UL Type 12, IP 55
Design it to order	RMR Fixed Wall-Mount Enclosure, UL Type 12, IP 55
Design it to order	RMR Free-Standing Enclosure, UL Type 4, 12, IP 55/66
Design it to order	RMR Floor-Mount Enclosure, UL Type 4, 12, IP 55/66
Design it to order	RMR Standard Wall-Mount Enclosure, UL Type 4, 12, IP 55/66
Note: Disconnect options also available	



**RMR Modular Enclosure**



**RMR Swing Wall-Mount Enclosure**



**RMR Fixed Wall-Mount Enclosure**



**RMR Free-Standing Enclosure**



**RMR Floor-Mount Enclosure**



**RMR Standard Wall-Mount Enclosure**

### Configure to Order Online:



CPI Product Designer creates unique industrial enclosures quickly and easily by allowing you to select the size, features and accessories needed for a specific application. Access this tool at [chatsworth.com/product-designer](https://chatsworth.com/product-designer).

### Additional Sizes Available Online

- Wide range of high-quality, standard solutions
- Fast, easily configurations and ordering
- Kitting of accessories to simplify ordering
- Modified standard enclosures to match specific Human Machine Interface (HMI) requirements
- Competitive lead times to match your schedule



**RMR Industrial Enclosure installation**

[chatsworth.com](https://chatsworth.com)

[techsupport@chatsworth.com](mailto:techsupport@chatsworth.com)

800-834-4969