

# Installation Instructions

## FLOOR SUPPORTED CUBE-iT DOOR

### Safety Information



**CAUTION:** The door must remain supported during repositioning so that the hinge components are not damaged. Use blocks or have an assistant support the edge of the door opposite the hinges. Do not allow the top hinge to support the entire weight of the door during repositioning.

### Included Hardware

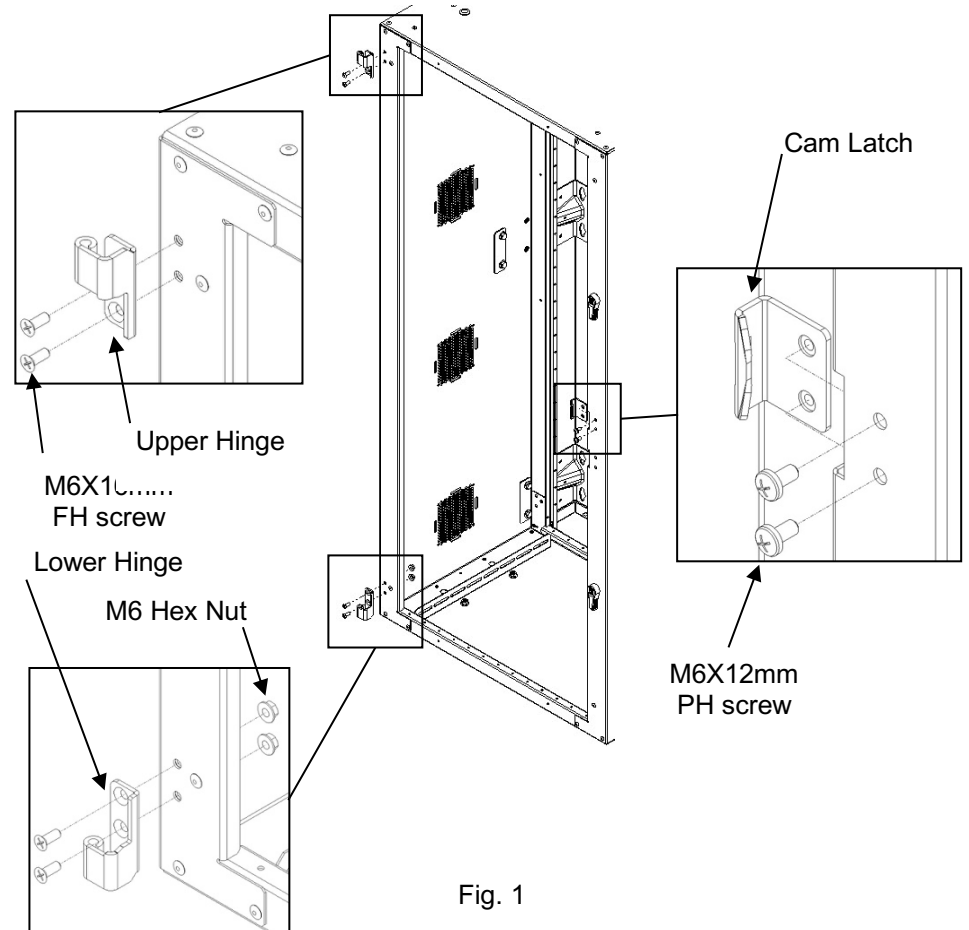
M6 X 16 mm FH Screw, 4 ea.  
M6 X 12 mm PH Screw, 2 ea.  
M6 Hex Nut, 4 ea.

### Tools Required

#2 Phillips screw driver

### Assembly Sequence

1. Attach each hinge to the frame with two M6 X 16 mm flat head screws and M6 hex nuts as shown (Fig. 1).
2. Install the cam latch using two M6 X 12 mm pan head screws (Fig. 1).



IIS-739940, 09/11/18, Rev. 1, CPI/JAG  
800-834-4969 (USA & Canada) • [www.chatsworth.com](http://www.chatsworth.com) • [techsupport@chatsworth.com](mailto:techsupport@chatsworth.com)  
For international phone numbers, see our website or contact CPI Tech Support.

*This drawing contains proprietary and confidential information and is protected by U.S. and international law. Unauthorized reproduction, disclosure or use of the drawing or the information therein is expressly forbidden except as agreed to in writing by Chatsworth Products, Inc.*

# Installation Instructions

## FLOOR SUPPORTED CUBEIT DOOR

3. Orient the front door perpendicular to the cabinet, with the upper part of the door tilted sideways slightly away from the cabinet (Fig. 2).
4. Carefully lower the door onto the lower hinge. Be sure that the hinge pin aligns correctly with the hinge pivot axis in the door frame (Fig. 2).
5. Bring the door frame vertical and align the upper hinge pin with the hinge pivot axis in the door frame. Engage the upper hinge pin in the door by pulling down on the spring loaded hinge pin handle. Make sure pin is fully engaged with hinge (Fig. 2).
6. Install swing handle and cam onto door as shown (Fig. 3).
7. Using an M6 X 12 mm pan head screw, attach the end of the bonding jumper wire with the ring terminal to the frame hole nearest to the bottom door hinge. Orient ring terminal as shown when tightening screw (Fig. 3).
8. Electrically bond the door to the cabinet frame by plugging the quick-connect end of the bonding jumper wire onto the quick-disk tab nearest the lower door hinge (Fig. 3)

