



CHATSWORTH
PRODUCTS

Wall Angle Support Kit, Cable Runway

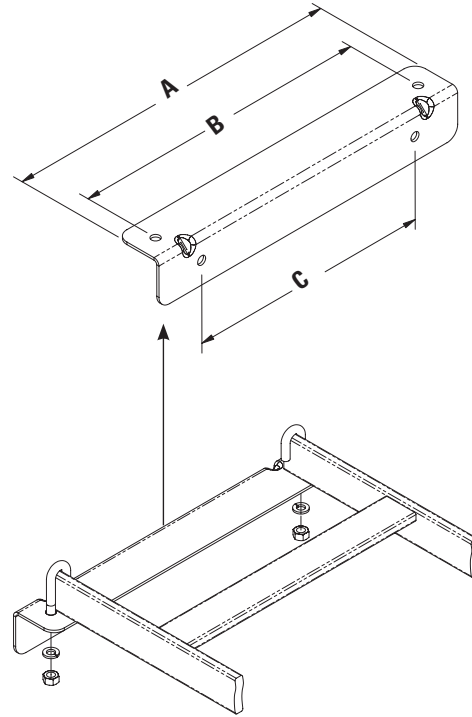
Wall Angle Support Kit, Cable Runway

2" x 2" x .105" (50 mm x 50 mm x 2.67 mm) steel support angle is designed for wall-mounting specific widths of Cable Runway.

- Compatible with Adjustable Cable Runway

Kit includes:

- (1) wall angle
- (2) 5/16-18 x 2 1/4" J-bolts
- (2) 5/16-18 hex nuts
- (2) 5/16 lock washers



ORDERING INFORMATION

Part Number	Runway Width in (mm)	Dim. A in (mm)	Dim. B in (mm)	Dim. C in (mm)
11421-X04	4 (100)	6 (150)	4.31 (109.5)	4.31 (109.5)
11421-X06	6 (150)	8 (200)	6.31 (160.3)	4 (100.0)
11421-X09	9 (230)	11 (280)	9.31 (236.5)	7 (180.0)
11421-X10	10 (250)	12 (300)	10.21 (261.9)	8 (200.0)
11421-X12	12 (300)	14 (360)	12.31 (312.7)	10 (250.0)
11421-X15	15 (380)	17 (430)	15.31 (388.9)	13 (330.0)
11421-X18	18 (460)	20 (510)	18.31 (465.1)	16 (410.0)
11421-X20	20 (510)	22 (560)	20.31 (515.9)	18 (460.0)
11421-X24	24 (610)	26 (660)	24.31 (617.5)	22 (460.0)
11421-X30	30 (760)	32 (810)	30.31 (769.9)	28 (710.0)

X=color: 0=Gold, 1=Gray, 7=Black, E=Glacier White. Gold and Glacier White kits have gold colored hardware. Gray and Black kits have black colored hardware.

United States & Canada
Simi Valley, CA
800-834-4969
Toronto, Ontario, Canada
+905-850-7770
chatsworth.com
techsupport@chatsworth.com

Latin America
Mexico City, Mexico
+52-55-5203-7525
Toll Free within Mexico
800-201-7592
chatsworth.com.co

Europe
Buckinghamshire
England, UK
+44-1628-524-834

Middle East & Africa
Dubai, UAE
+971-4-2602125
Doha, Qatar
+974-4-267422

Asia Pacific
Jing'an District,
Shanghai, China
+86 21 6880-0266
chatsworth.com.cn