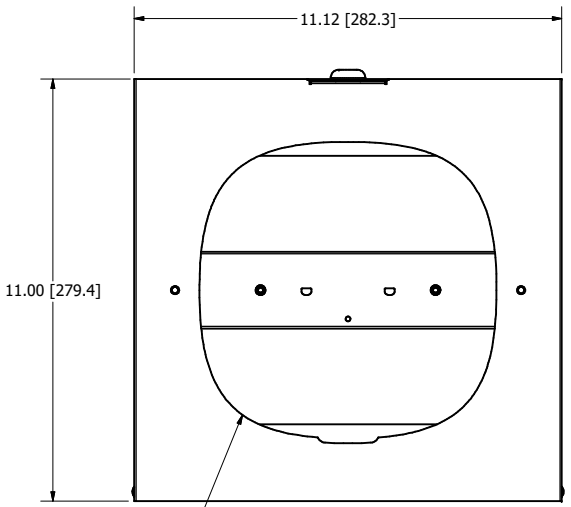
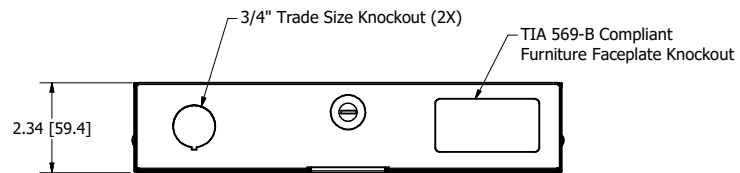
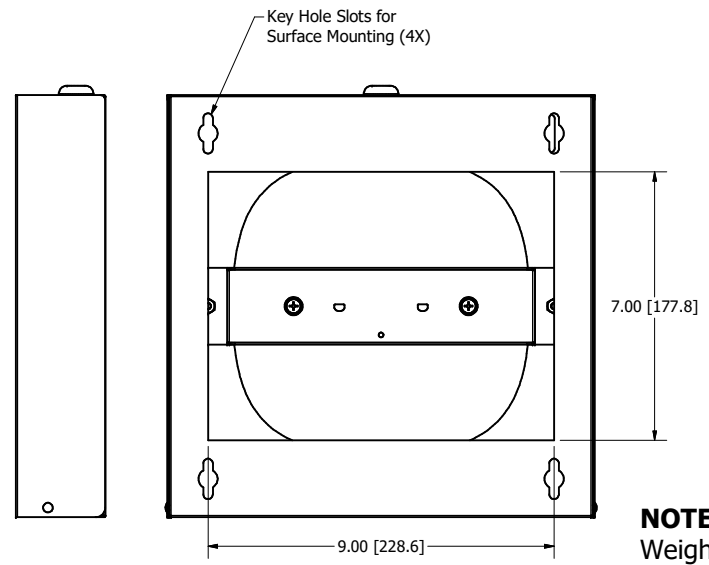


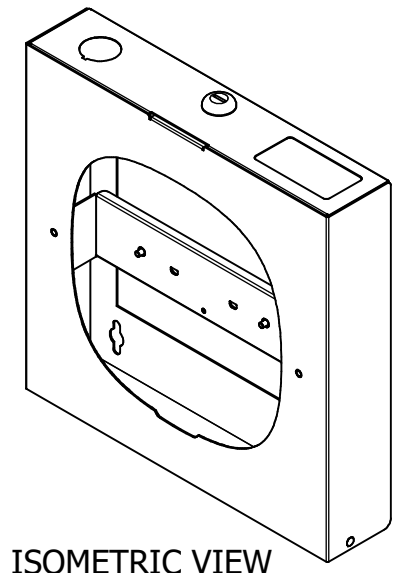
REVISION HISTORY				
ZONE	REV	DESCRIPTION	DATE	APPROVED
All	1	Released	2/23/2021	CAH
All	2	Removed Knockout Plate; Changed Base Thickness to 20 Ga. (0.036"); Updated Notes	12/1/2021	CAH
All	3	Updated Notes	3/3/2022	CAH



FRONT VIEW



BACK VIEW



ISOMETRIC VIEW

NOTE:

Weight: 4 lbs.
 Material: 20 Ga. (0.036") White Powder Coated Steel Base
 20 Ga. (0.036") White Powder Coated Steel Cover
 18 Ga. (0.048") Galvanized Steel Mounting Bracket (For SKUs for Aruba APs Only)
 20 Ga. (0.040") Galvanized Steel Mounting Bracket (For SKUs for Cisco APs Only)

Includes:

- (1) Surface Mount Box
- (2) Keys for Lock
- Access Point Attachment Hardware



Ethernet Keystone Jack Knockout (2X)

DRAWN	CAH	3/3/2022	Oberon, Inc. - 1315 S. Allen St. - State College, PA 16801		
CHECKED	CAH	3/3/2022	TITLE		
QA			Model 905-XX		
MFG	CAH	3/3/2022	SIZE	DWG NO	REV
APPROVED	CAH	3/3/2022	C	905-XX	3
TOLERANCE:	.0 = +/- .030		SCALE		
	.00 = +/- .015				
	.000 = +/- .005				
				SHEET 1 OF 1	