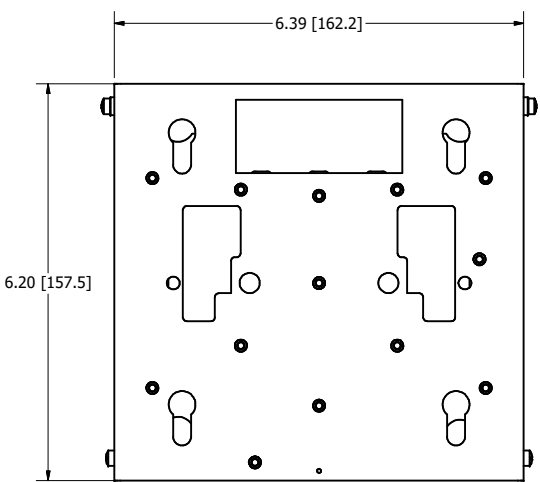
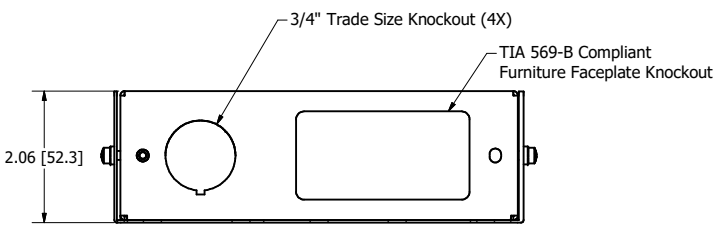
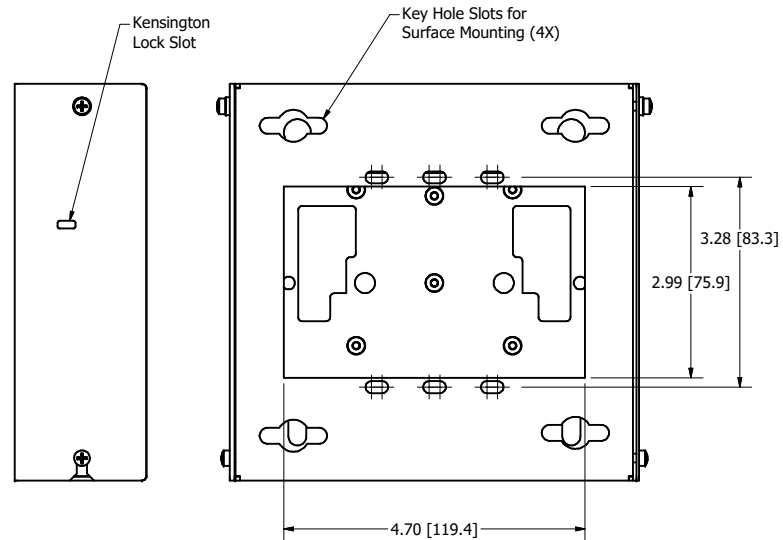


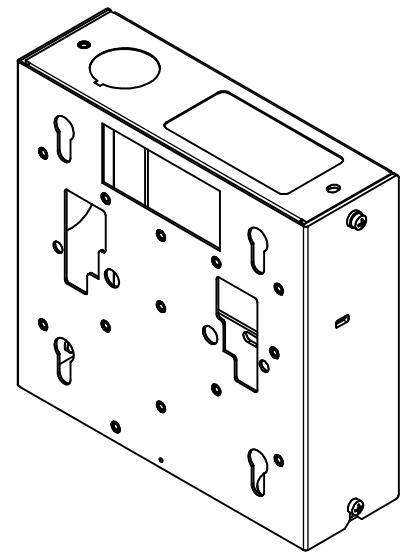
REVISION HISTORY				
ZONE	REV	DESCRIPTION	DATE	APPROVED
All	1	Created mounting legend, revised annotation, and added second sheet with vanity cover	8/13/2019	DLV
All	2	Updated Views, Notes, "Includes" List, Configuration Table, AP Mounting Legend	2/7/2020	CAH
Pg.3, B2	3	Updated AP Mounting Legend	2/17/2020	CAH
Pg. 2	4	Updated Configuration Table	3/2/2020	CAH
Pg. 1	5	Updated Notes	3/13/2020	CAH
Pg. 1 & 2	6	Updated Views, Configuration Table	3/17/2020	CAH
Pg. 2	7	Updated Configuration Table	3/18/2020	CAH
Pg. 2	8	Updated Configuration Table	4/15/2020	CAH
All	9	Removed Configuration Table, Updated Notes and "Includes" List	1/13/2021	CAH



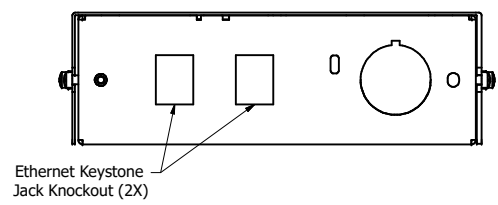
FRONT VIEW



BACK VIEW



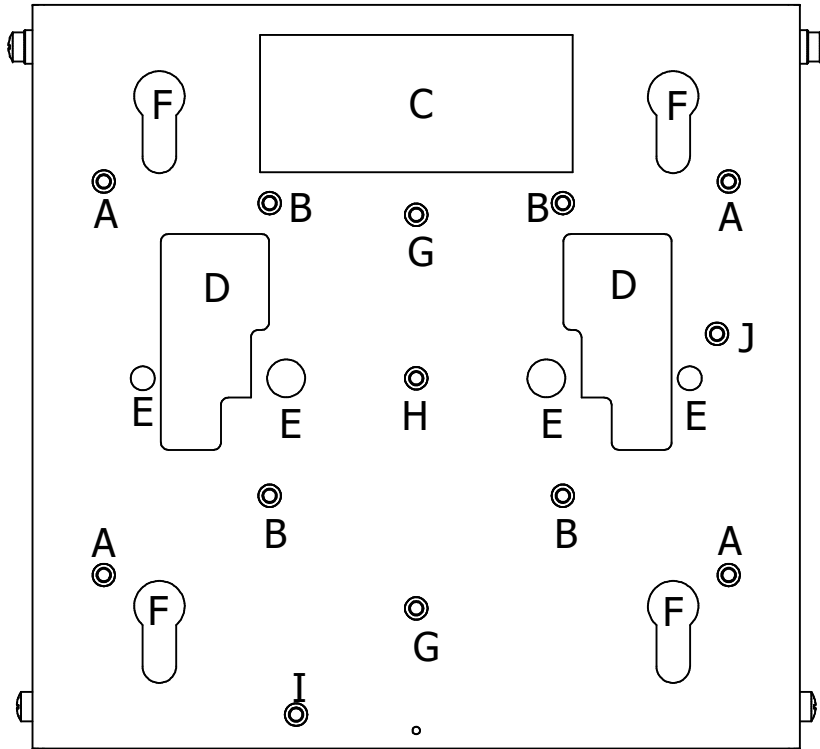
ISOMETRIC VIEW



NOTE:
 Weight: 2 lbs.
 Material: 16 Ga. Powder Coated Steel Base
 20 Ga. Powder Coated Steel Cover

Includes:
 - (1) Two Part Surface Mount Box
 - (1) Cable Tie
 - (12) #6-32 Philips Head Screws

DRAWN	CAH	1/13/2021	Oberon, Inc. - 1315 S. Allen St. - State College, PA 16801	
CHECKED	CAH	1/13/2021	TITLE	
QA			Model 900-00-XX	
MFG	CAH	1/13/2021	SIZE	DWG NO
APPROVED	CAH	1/13/2021	C	900-00-XX
TOLERANCE:		.0 = +/- .030	SCALE	
		.00 = +/- .015		
		.000 = +/- .005		REV 9
			SHEET 1 OF 2	



AP Mounting Legend

- A - Single Gang Outlet Box Holes for Meraki MA-MNT-MR Mounting Plates
- B - Cisco AIR-AP-BRACKET-2
- C - Aruba Data Port Access
- D - Aruba 3XX Series Mounting Features
- E - Aruba 5XX Series Mounting Holes
- F - Key Slots for Mounting Cisco APs
- G - Single Gang Outlet Box
- H - Set Screw Hole for Aruba 3XX Series APs
- I - Set Screw Hole for Cisco AP 2700/3700 Series
- J - Set Screw Hole for Cisco AP 2800/3800, 4800, and 91XX Series

DRAWN CAH	1/13/2021	Oberon, Inc. - 1315 S. Allen St. - State College, PA 16801		
CHECKED CAH	1/13/2021	TITLE		
QA		Model 900-00-XX		
MFG CAH	1/13/2021	SIZE C	DWG NO 900-00-XX	REV 9
APPROVED CAH	1/13/2021	SCALE	SHEET 2 OF 2	
TOLERANCE:	.0 = +/- .030 .00 = +/- .015 .000 = +/- .005			