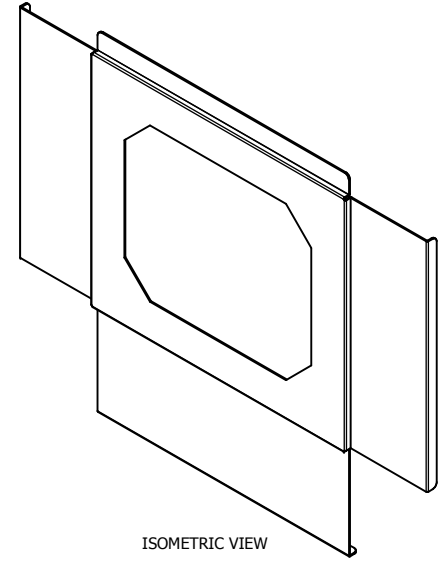
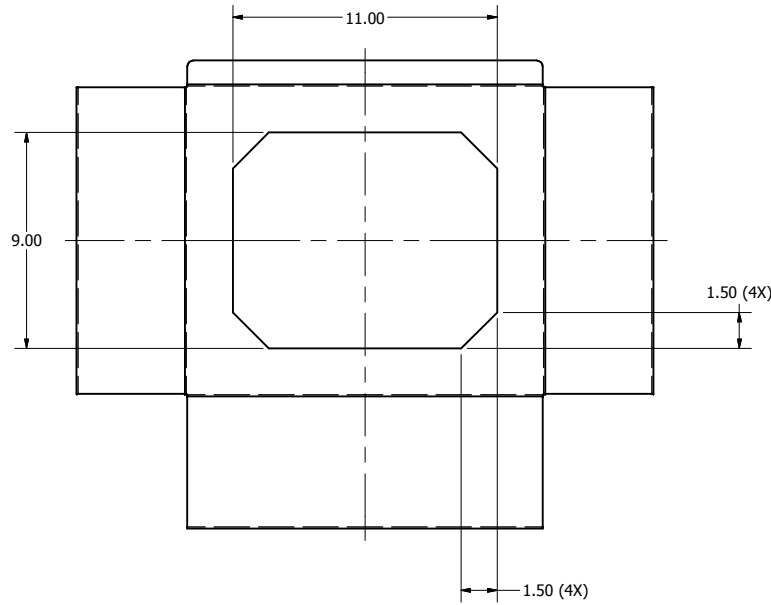
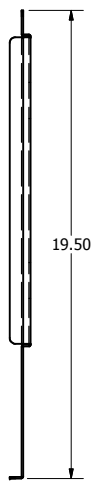
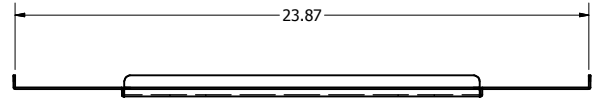


REVISION HISTORY				
ZONE	REV	DESCRIPTION	DATE	APPROVED
All	1	Released	8/4/2017	RLC



ISOMETRIC VIEW

NOTE:
 -Material: 16 Gauge Galvanized Steel
 -Designed to cut ceiling tile openings for Oberon Model 1040 and 1044 series enclosures

NOTE: All materials used in the construction of Oberon products must be RoHS compliant and meet RoHS2 Directive 2011/65/EU. Contact Oberon engineering if RoHS compliant materials are not available.

DRAWN	RLC	8/4/2017	Oberon, Inc. - 1315 S. Allen St. - State College, PA 16801		
CHECKED	RLC	8/4/2017	TITLE		
QA			39-ROUTER-TEMPLATE		
MFG	RLC	8/4/2017	SIZE	DWG NO	REV
APPROVED	RLC	8/4/2017	C	2964	1
TOLERANCE:		.0 = +/- .030 .00 = +/- .015 .000 = +/- .005	SCALE	SHEET 1 OF 1	