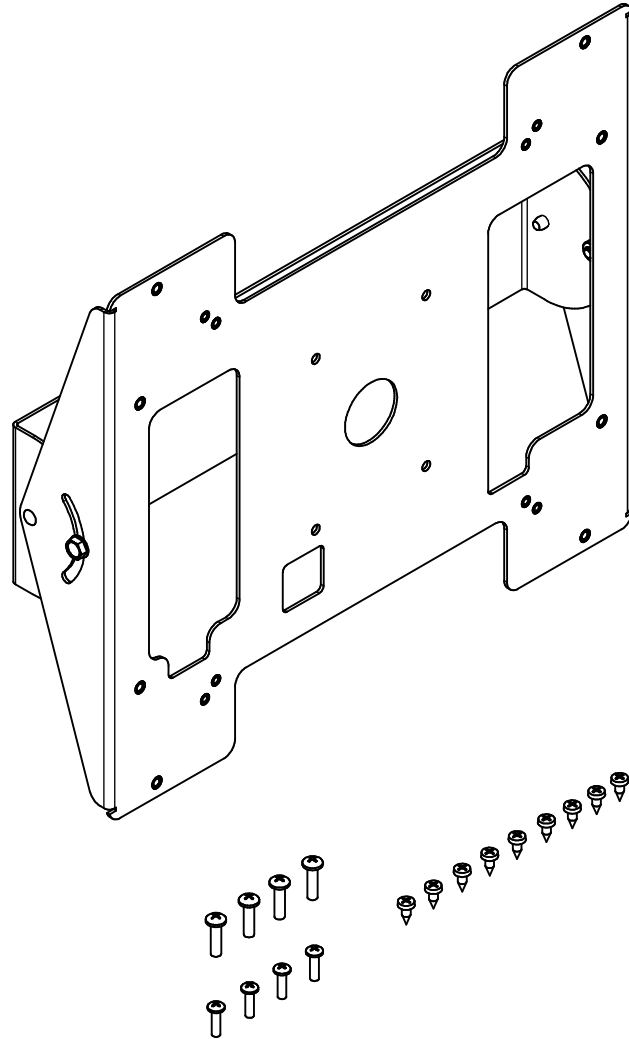


REVISION HISTORY				
ZONE	REV	DESCRIPTION	DATE	APPROVED
All	1	Released	8/13/2020	CAH



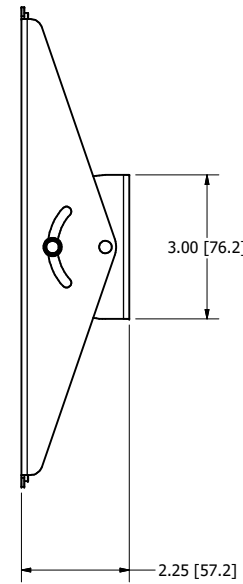
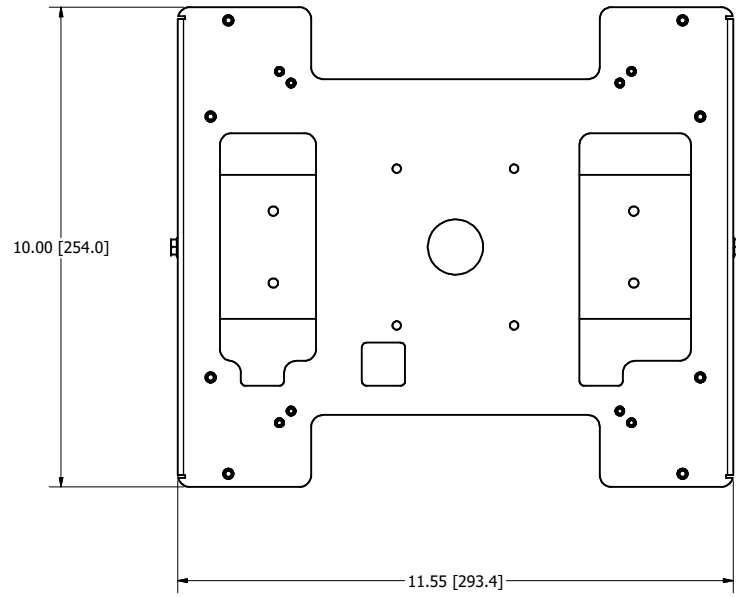
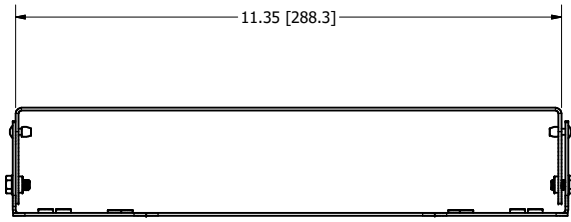
NOTE:

- Weight: 3 lbs
- Material: 16 Ga. White Powder Coated Steel Antenna Mounting Bracket

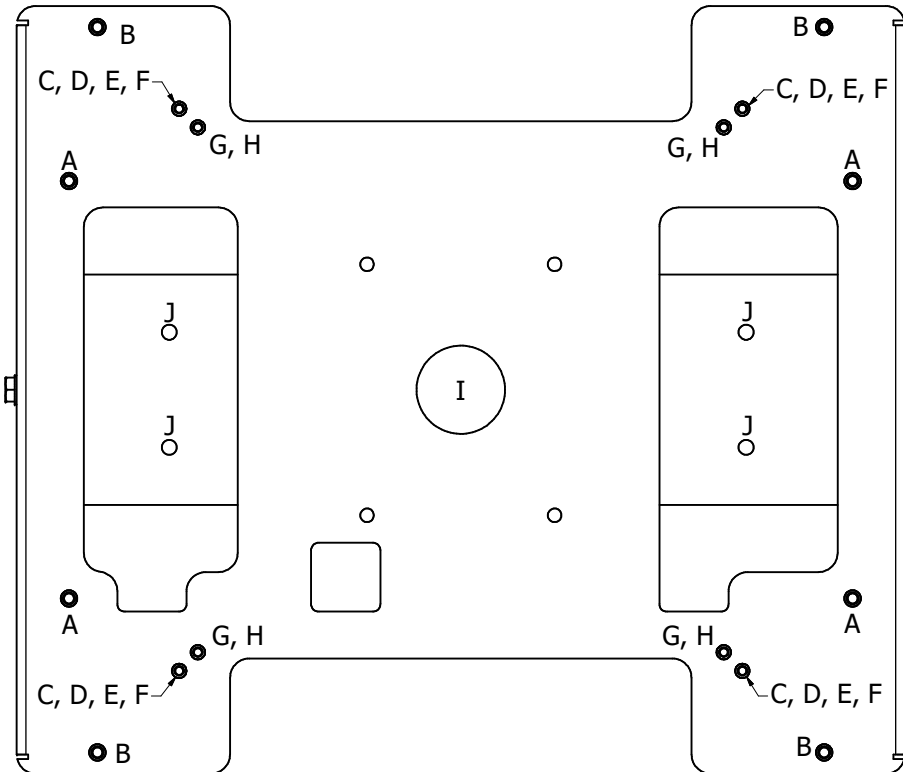
Includes:

- (1) Antenna Mounting Bracket
- (8) #6 x 3/8 in. Pan Head Thread-Forming Screws
- (4) #8 x 5/8 in. Pan Head Screws
- (4) #6 x 1/2 in. Pan Head Screws

DRAWN CAH	8/13/2020	Oberon, Inc. - 1315 S. Allen St. - State College, PA 16801		
CHECKED CAH	8/13/2020	TITLE		
QA		Model 39-1021-ANTPLATE		
MFG CAH	8/13/2020	SIZE C	DWG NO 39-1021-ANTPLATE	REV 1
APPROVED CAH	8/13/2020	SCALE	SHEET 1 OF 3	
TOLERANCE:	.0 = +/- .030 .00 = +/- .015 .000 = +/- .005			



DRAWN CAH	8/13/2020	Oberon, Inc. - 1315 S. Allen St. - State College, PA 16801		
CHECKED CAH	8/13/2020	TITLE		
QA		Model 39-1021-ANTPLATE		
MFG CAH	8/13/2020	SIZE C	DWG NO 39-1021-ANTPLATE	REV 1
APPROVED CAH	8/13/2020	SCALE	SHEET 2 OF 3	
TOLERANCE:	.0 = +/- .030 .00 = +/- .015 .000 = +/- .005			



Mounting Legend

- A - Cisco Antenna AIR-ANT2566P4W-R
- B - Cisco Antenna AIR-ANT2566D4M-R
- C - Aruba Networks Antenna AP-ANT-17
- D - Aruba Networks Antenna AP-ANT-18
- E - Aruba Networks Antenna AP-ANT-25
- F - Aruba Networks Antenna AP-ANT-35
- G - Aruba Networks Antenna AP-ANT-28
- H - Aruba Networks Antenna AP-ANT-38
- I - 1" Center Post Antennas
- J - Holes Used to Fasten Bracket to Enclosure Base

DRAWN CAH	8/13/2020	Oberon, Inc. - 1315 S. Allen St. - State College, PA 16801		
CHECKED CAH	8/13/2020	TITLE		
QA		Model 39-1021-ANTPLATE		
MFG CAH	8/13/2020	SIZE C	DWG NO 39-1021-ANTPLATE	REV 1
APPROVED CAH	8/13/2020	SCALE	SHEET 3 OF 3	
TOLERANCE:	.0 = +/- .030 .00 = +/- .015 .000 = +/- .005			