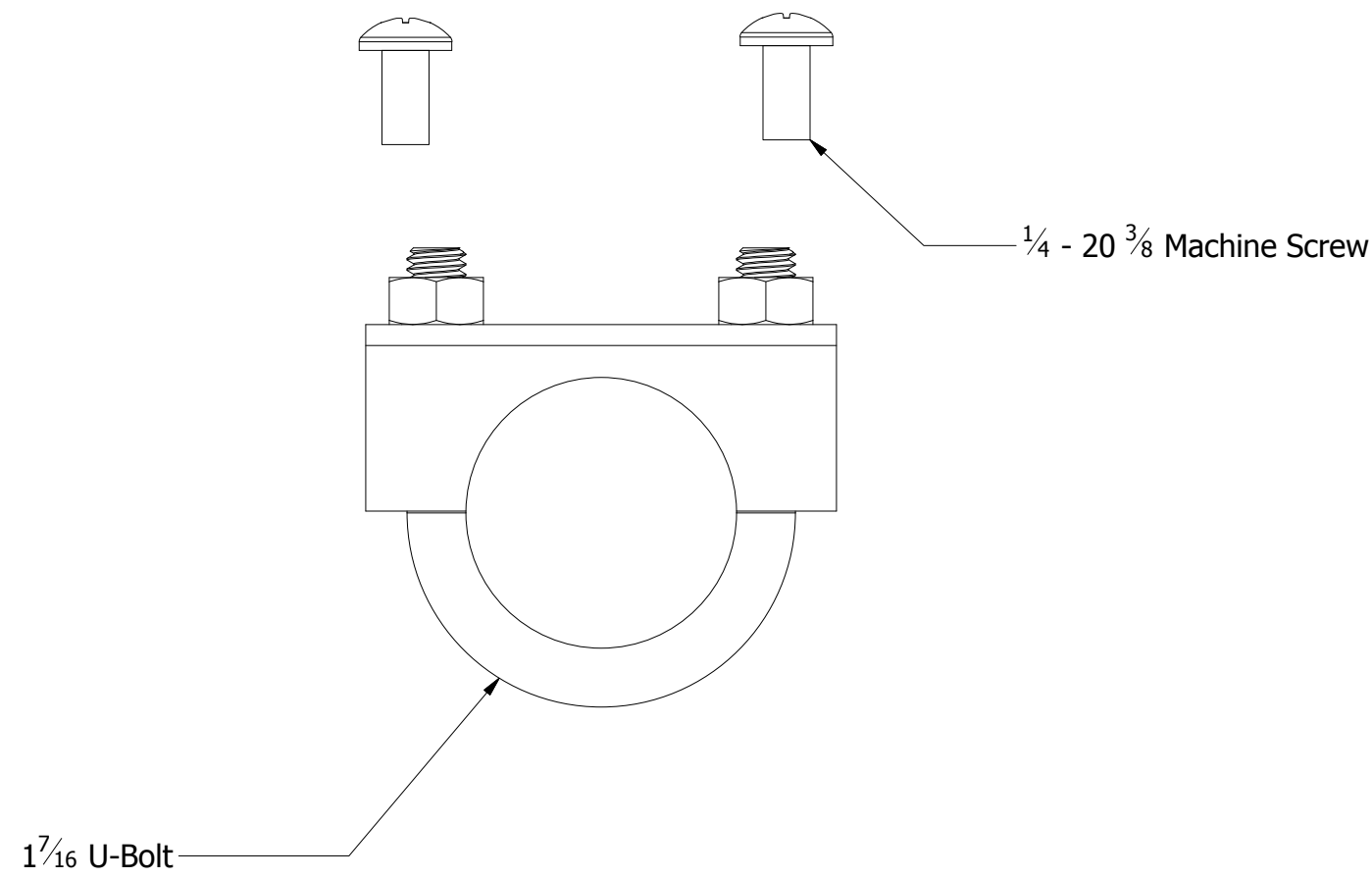
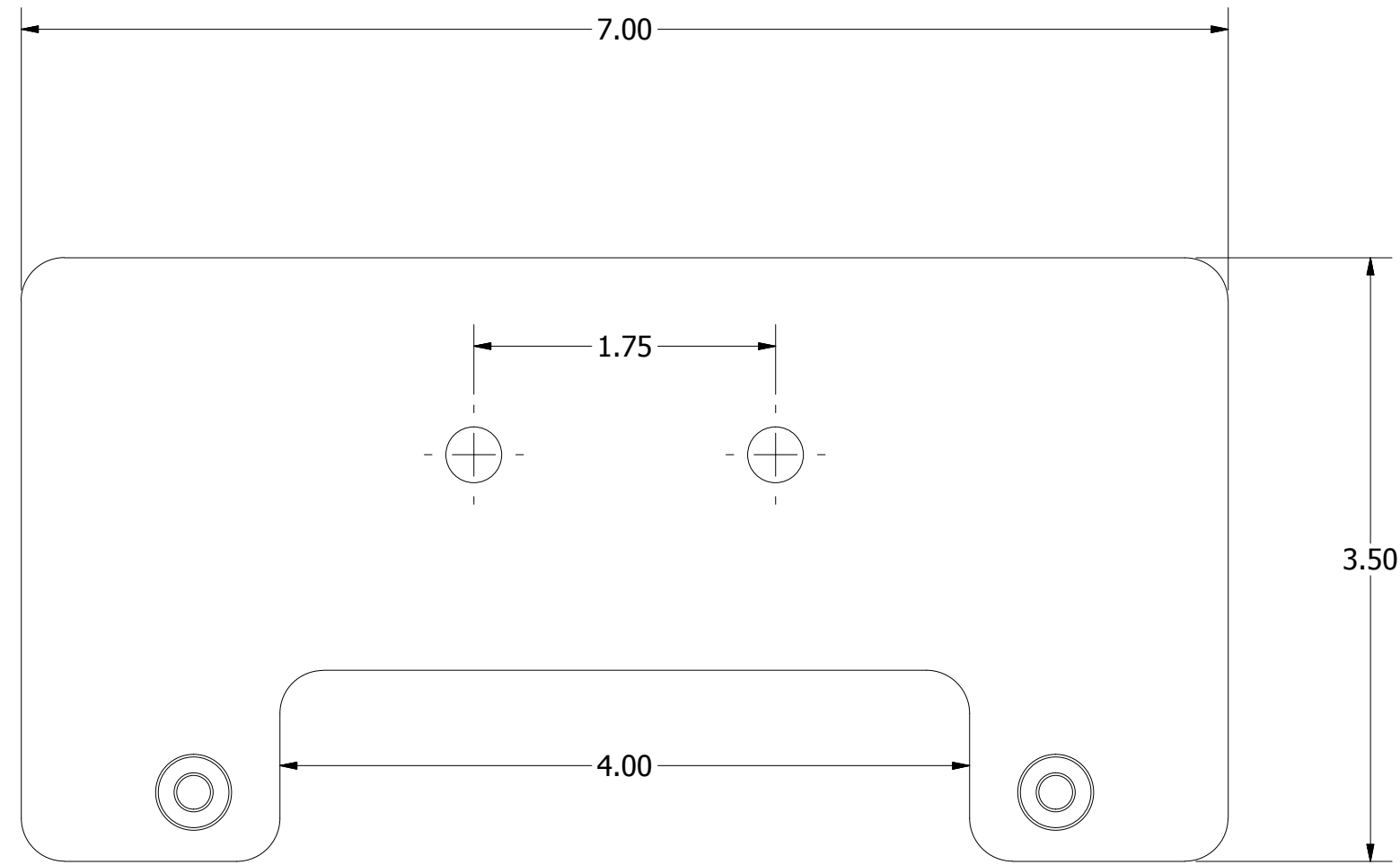


REVISION HISTORY				
ZONE	REV	DESCRIPTION	DATE	APPROVED
All	1	Released	1/13/2017	MDA



NOTE:

- Material: White Powder Coated Steel
 - Mounts Oberon Model 1008/1009 to 1-3/8" Speaker Stands
- INCLUDES:**
- Speaker Mount Bracket (1X)
 - Clamping U-Boat (1X)
 - #1/4-20 x 3/8 Screws (2X)

NOTE: All materials used in the construction of Oberon products must be RoHS compliant. Contact Oberon engineering if RoHS compliant materials are not available.

DRAWN MDA	1/13/2017	Oberon, Inc. - 1315 S. Allen St. - State College, PA 16801		
CHECKED MDA	1/13/2017	TITLE		
QA		39-1008-SPKRMNT		
MFG MDA	1/13/2017	SIZE C	DWG NO 39-1008-SPKRMNT	REV 1
APPROVED MDA	1/13/2017	SCALE	SHEET 1 OF 1	
TOLERANCE:	.0 = +/- .030 .00 = +/- .015 .000 = +/- .005			