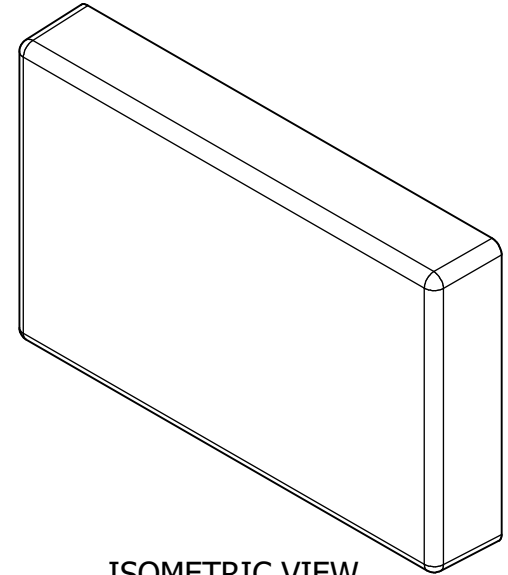
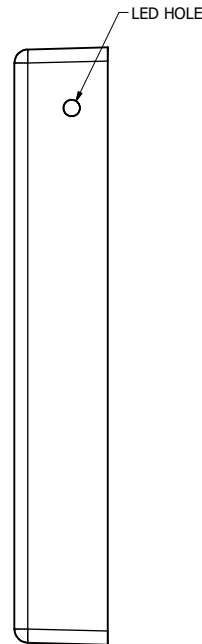
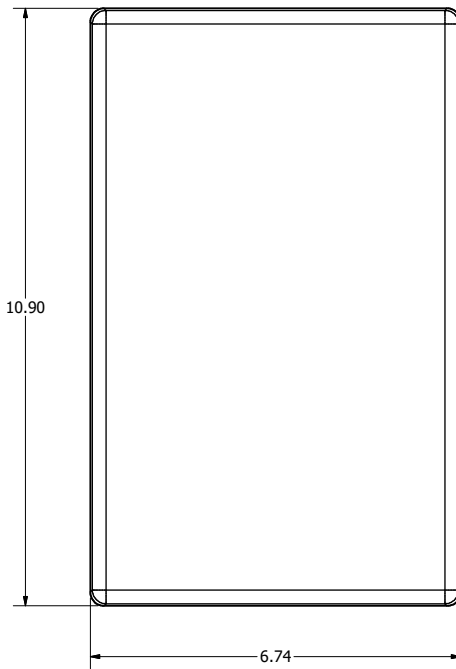


1.70



ISOMETRIC VIEW

REVISION HISTORY				
ZONE	REV	DESCRIPTION	DATE	APPROVED
All	1	Released	1/12/2018	ATK
All	2	Updated Views, Notes, and Includes List; Added Vanity Cover Look Up Guide	3/12/2020	CAH
All	3	Updated Notes, Includes List, and Vanity Cover Look Up Guide	3/16/2020	CAH
All	4	Updated Vanity Cover Look Up Guide	3/18/2020	CAH
All	5	Updated Vanity Cover Look Up Guide	12/21/2020	CAH
All	6	Updated Vanity Cover Look Up Guide	1/8/2021	CAH
All	7	Updated Vanity Cover Look Up Guide	6/22/2021	CAH
All	8	Updated Vanity Cover Look Up Guide	7/28/2021	CAH

VANITY COVER LOOK UP GUIDE

VANITY COVER P/N	ACCESS POINT	VANITY COVER SIZE	MATERIAL (COLOR)
33-ANT-CVR-C	General Purpose, For Most APs w/ External Antennas	11.9 x 10.6 x 7.6 in.	Polycarbonate (Clear)
33-ANT-CVR-WH	General Purpose, For Most APs w/ External Antennas	11.9 x 10.6 x 7.6 in.	ABS (White)
33-AP-CVR	Cisco 2600, 2700, 3500, 3600, 3700, 9115 Series AP	8.79 x 8.79 x 2.04 in.	ABS (Black)
33-AP335-CVR	Aruba AP305, AP315, AP325, AP335, AP345, AP515	9.25 x 9.25 x 1.875 in.	ABS (Black)
33-AP3800-CVR	Cisco 1830, 1850, 2800, 3800, 9117, 9120 Series AP Ubiquiti UAP-AC-HD-US Huawei AP7060DN	8.87 x 8.87 x 2.33 in.	ABS (Black)
33-COAP4800-CVR	Cisco 4800	10.11 x 10.11 x 2.70 in.	ABS (Black)
33-COAP9130-CVR	Cisco 9130	9.26 x 9.26 x 2.02 in.	ABS (Black)
33-MRAP53-CVR	Meraki MR32, MR34, MR42, MR53	10.9 x 6.75 x 1.7 in.	ABS (Black)
33-MR56-CVR	Meraki MR44, MR45, MR46, MR55, MR56	13.19 x 5.90 x 2.05 in.	ABS (Black)
33-VCVR-1	Cisco 9115, 9120 Series APs	8.85 x 8.85 x 1.84 in.	ABS (Black)
33-VCVR-10102	Aruba AP535	10.09 x 10.09 x 2.33 in.	ABS (Black)
33-VCVR-18125	General Purpose, For Larger APs w/ External Antennas	18 in. x 12 in. x 5 in.	Polycarbonate (Translucent Black)

NOTES:

- Material: UL94-5VA Black ABS Plastic 0.090" Starting Thickness

Includes:

- (1) Vanity Cover
- (4) Fastening Strips
- (1) Alcohol Wipe

DRAWN CAH	7/28/2021	Oberon, Inc. - 1315 S. Allen St. - State College, PA 16801		
CHECKED CAH	7/28/2021	TITLE		
QA		Model 33-MRAP53-CVR		
MFG CAH	7/28/2021	SIZE C	DWG NO 33-MRAP53-CVR	REV 8
APPROVED CAH	7/28/2021	SCALE	SHEET 1 OF 1	
TOLERANCE:	.0 = +/- .030 .00 = +/- .015 .000 = +/- .005			