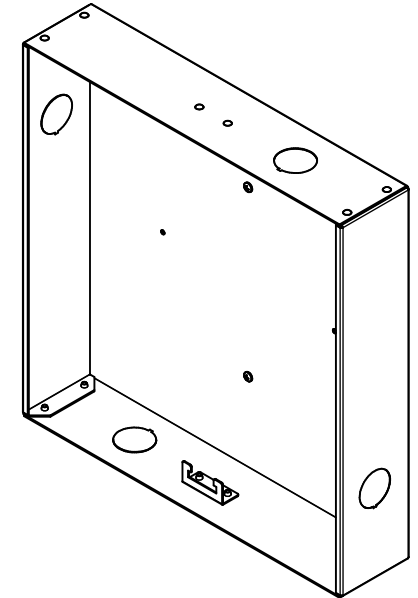
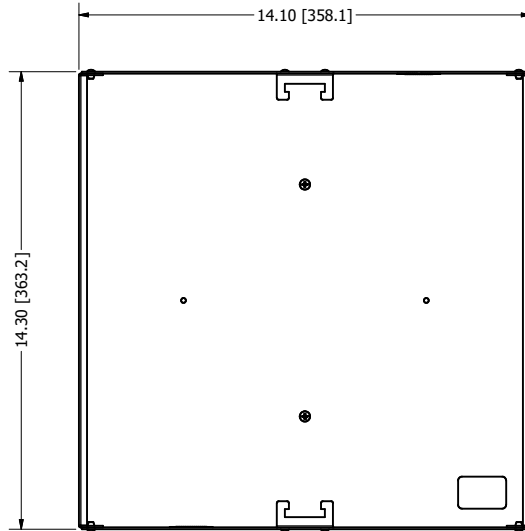
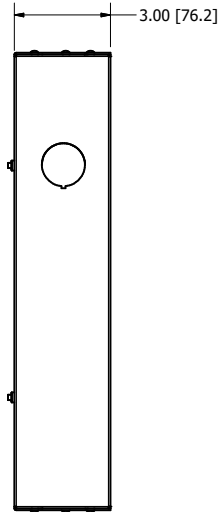
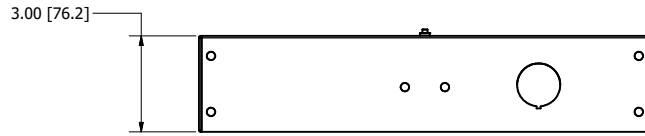


BACKBOX ASSEMBLY

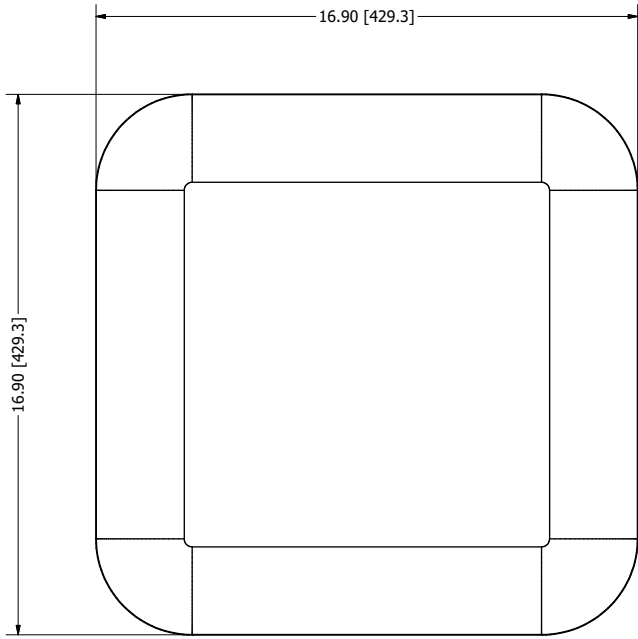


NOTES:

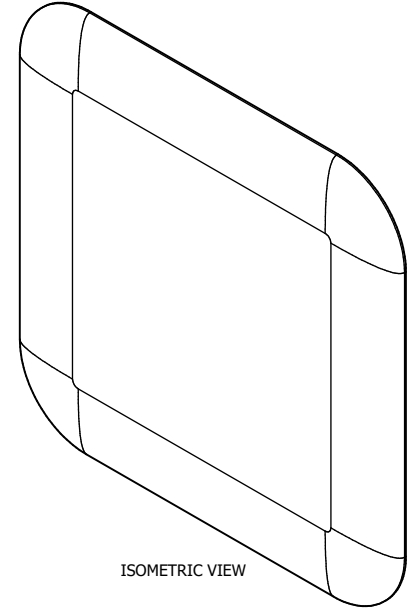
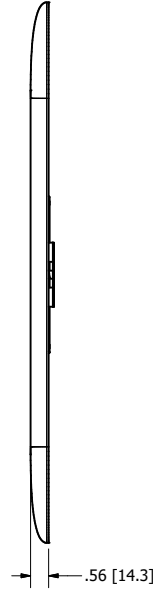
- Weight: 7 lbs.
- Material: 20 Ga. Galvanized Steel Backbox

Oberon, Inc. - 1315 S. Allen St. - State College, PA 16801			
TITLE			
Model 1443-FXL			
SIZE	DWG NO	DATE	
C	1443-FXL	10/26/2023	
SCALE	SHEET 1 OF 3		

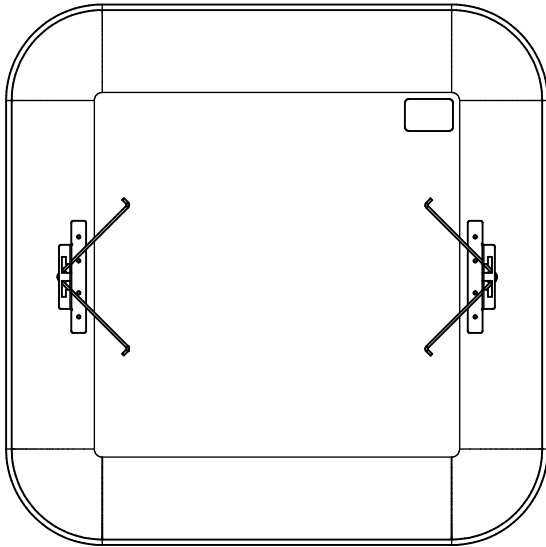
TRIM ASSEMBLY



Front View



ISOMETRIC VIEW



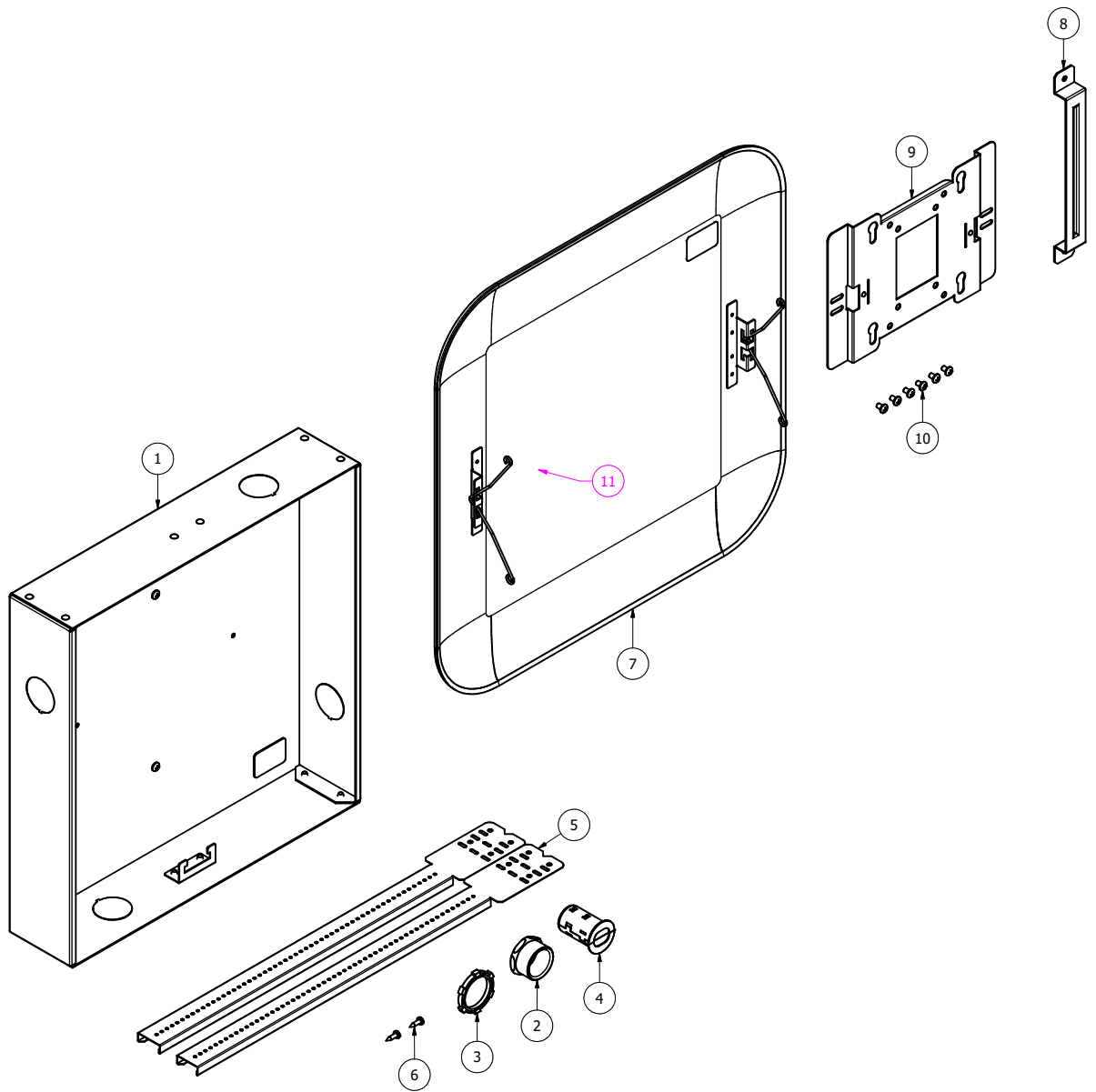
Back View

NOTES:

- Weight: 1 lbs.
- Material: ABS Plastic Trim (UL-94 5VA Listed)

Oberon, Inc. - 1315 S. Allen St. - State College, PA 16801		
TITLE		
Model 1443-FXL		
SIZE	DWG NO	DATE
C	1443-FXL	10/26/2023
SCALE	SHEET 2 OF 3	

INCLUDES



PARTS LIST		
ITEM	QTY	DESCRIPTION
1	1	Back Box
2	1	1 inch Conduit Nipple
3	1	1 inch Conduit Nut
4	1	STI Fire Foam Plug
5	1	Adjustable Box Mounting Bracket
6	2	#6-20 x 1/2" Self Drillig Screw
7	1	Trim Assembly
8	1	T-Bar Bracket
9	1	AP Mounting Bracket
10	6	#8-32 x 1/4" Pan Head Screw
11	2	Torsion Spring

Oberon, Inc. - 1315 S. Allen St. - State College, PA 16801		
TITLE		
Model 1443-FXL		
SIZE	DWG NO	DATE
C	1443-FXL	10/26/2023
SCALE	SHEET 3 OF 3	