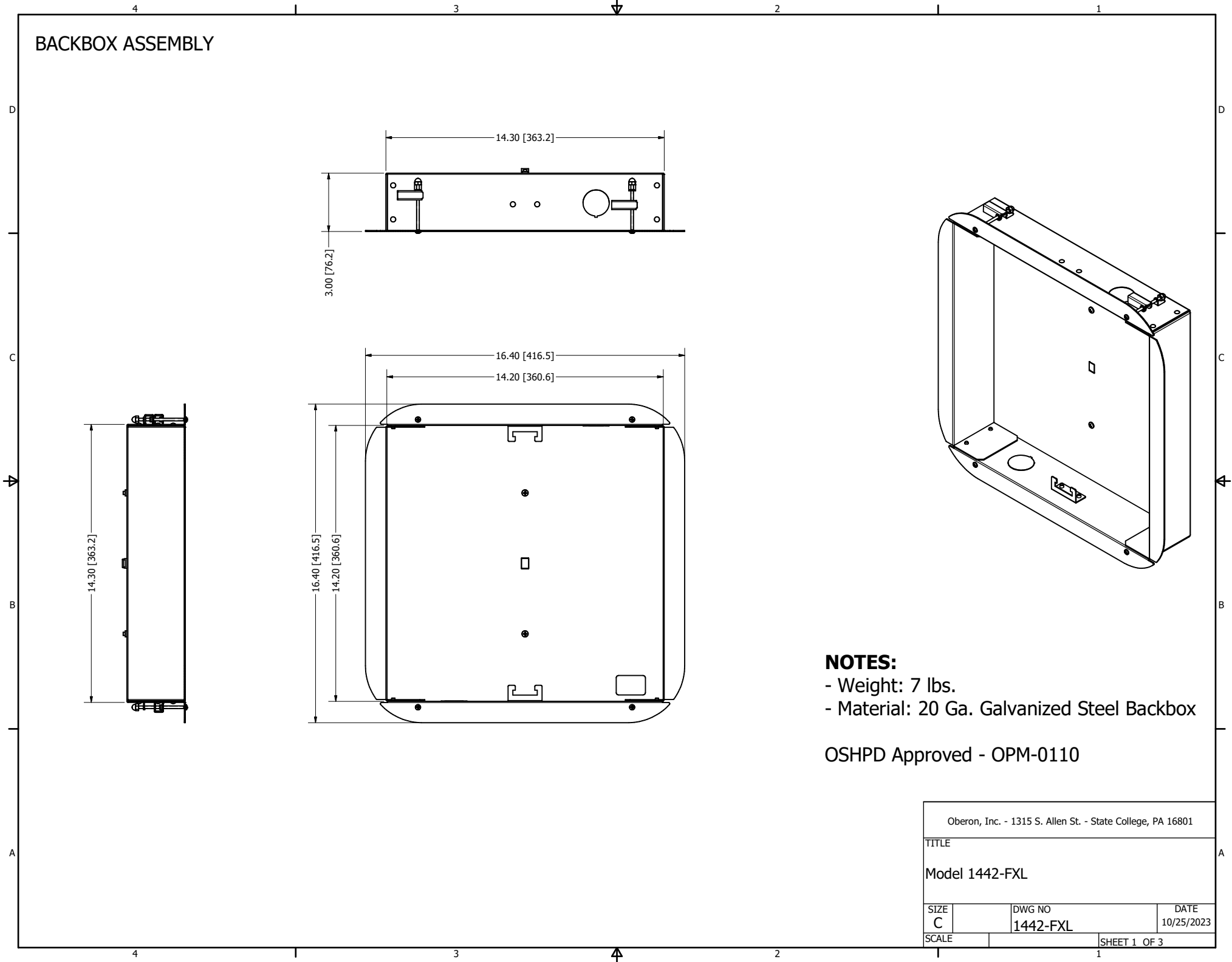


# BACKBOX ASSEMBLY



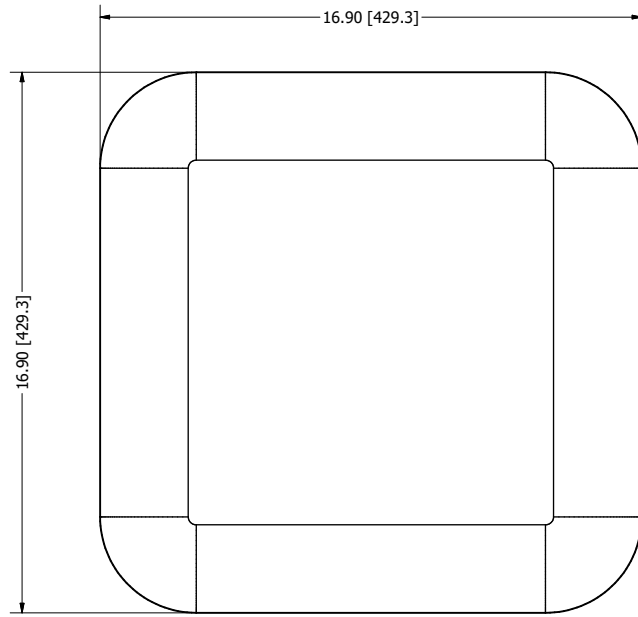
**NOTES:**

- Weight: 7 lbs.
- Material: 20 Ga. Galvanized Steel Backbox

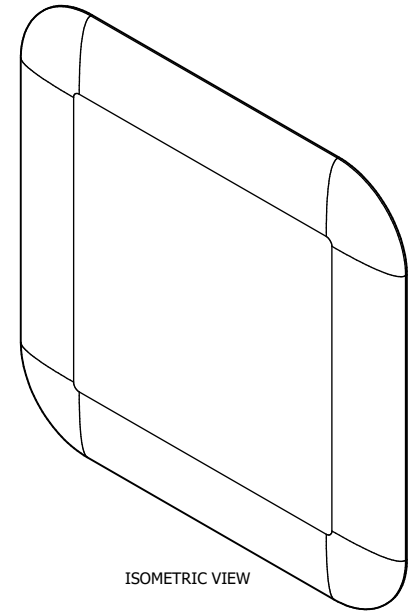
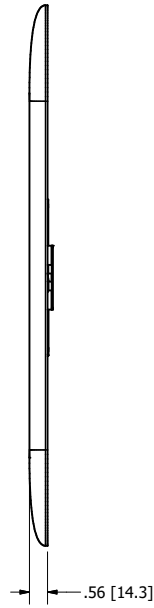
OSHPD Approved - OPM-0110

Oberon, Inc. - 1315 S. Allen St. - State College, PA 16801		
TITLE		
Model 1442-FXL		
SIZE	DWG NO	DATE
C	1442-FXL	10/25/2023
SCALE	SHEET 1 OF 3	

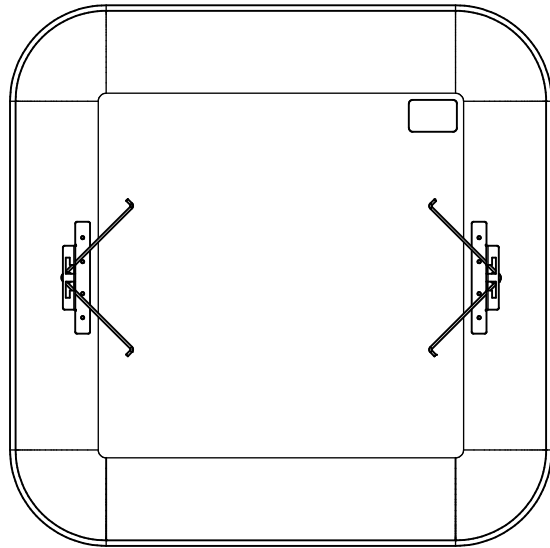
# TRIM ASSEMBLY



Front View



ISOMETRIC VIEW



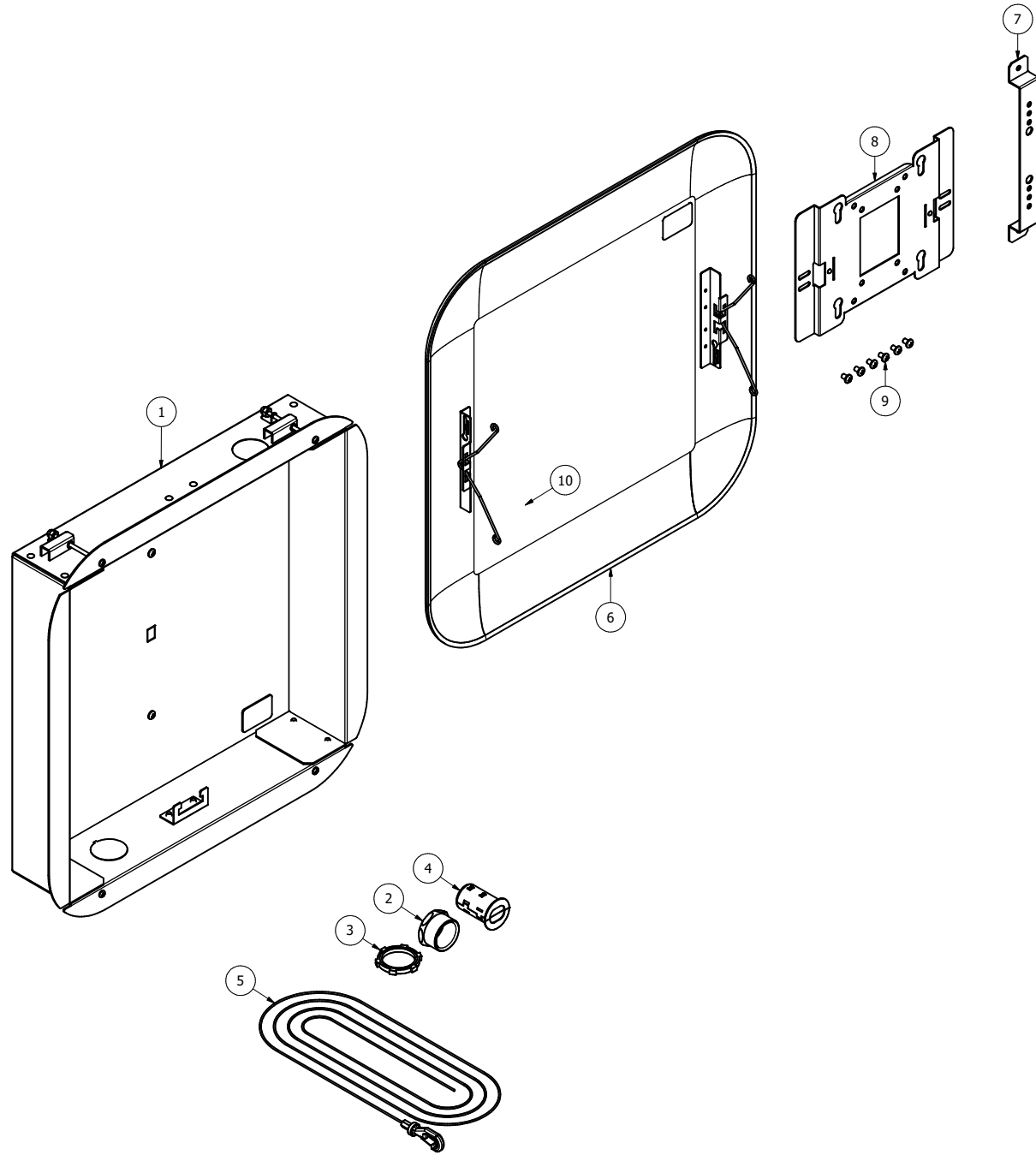
Back View

**NOTES:**

- Weight: 1 lbs.
- Material: ABS Plastic Trim (UL-94 5VA Listed)

Oberon, Inc. - 1315 S. Allen St. - State College, PA 16801		
TITLE		
Model 1442-FXL		
SIZE	DWG NO	DATE
C	1442-FXL	10/25/2023
SCALE	SHEET 2 OF 3	

INCLUDES



PARTS LIST		
ITEM	QTY	DESCRIPTION
1	1	Back Box
2	1	1 inch Conduit Nipple
3	1	1 inch Conduit Nut
4	1	Fire Foam Plug
5	1	2MM Thick by 3M Long Retention Wire
6	1	Trim Assembly
7	1	T-Bar Bracket
8	1	AP Mounting Bracket
9	6	#8-32 x 1/4" Pan Head Screw
10	2	Torsion Spring

Oberon, Inc. - 1315 S. Allen St. - State College, PA 16801		
TITLE		
Model 1442-FXL		
SIZE	DWG NO	DATE
C	1442-FXL	10/25/2023
SCALE	SHEET 3 OF 3	