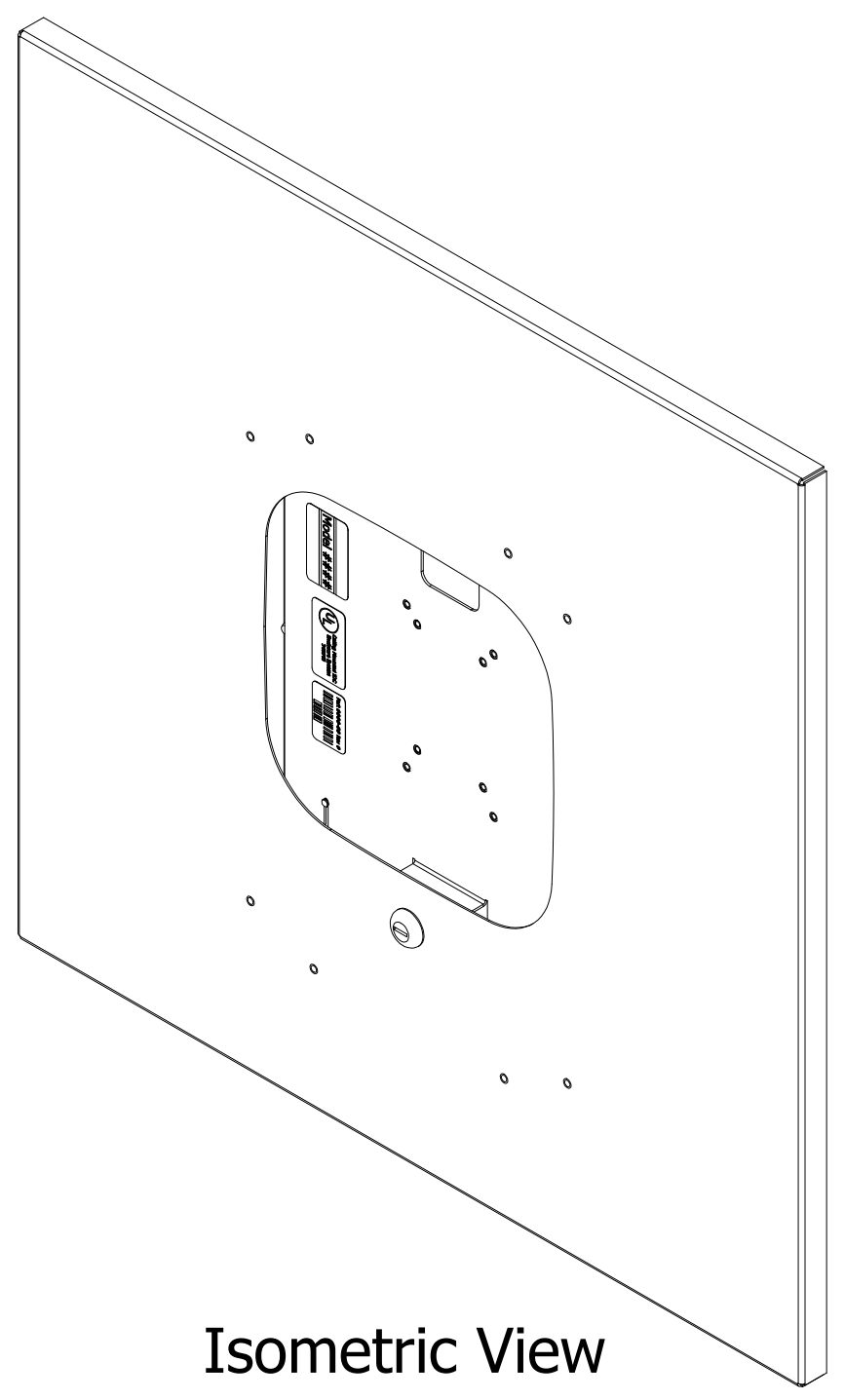
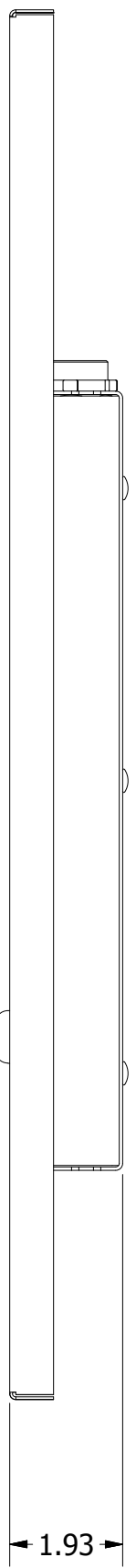
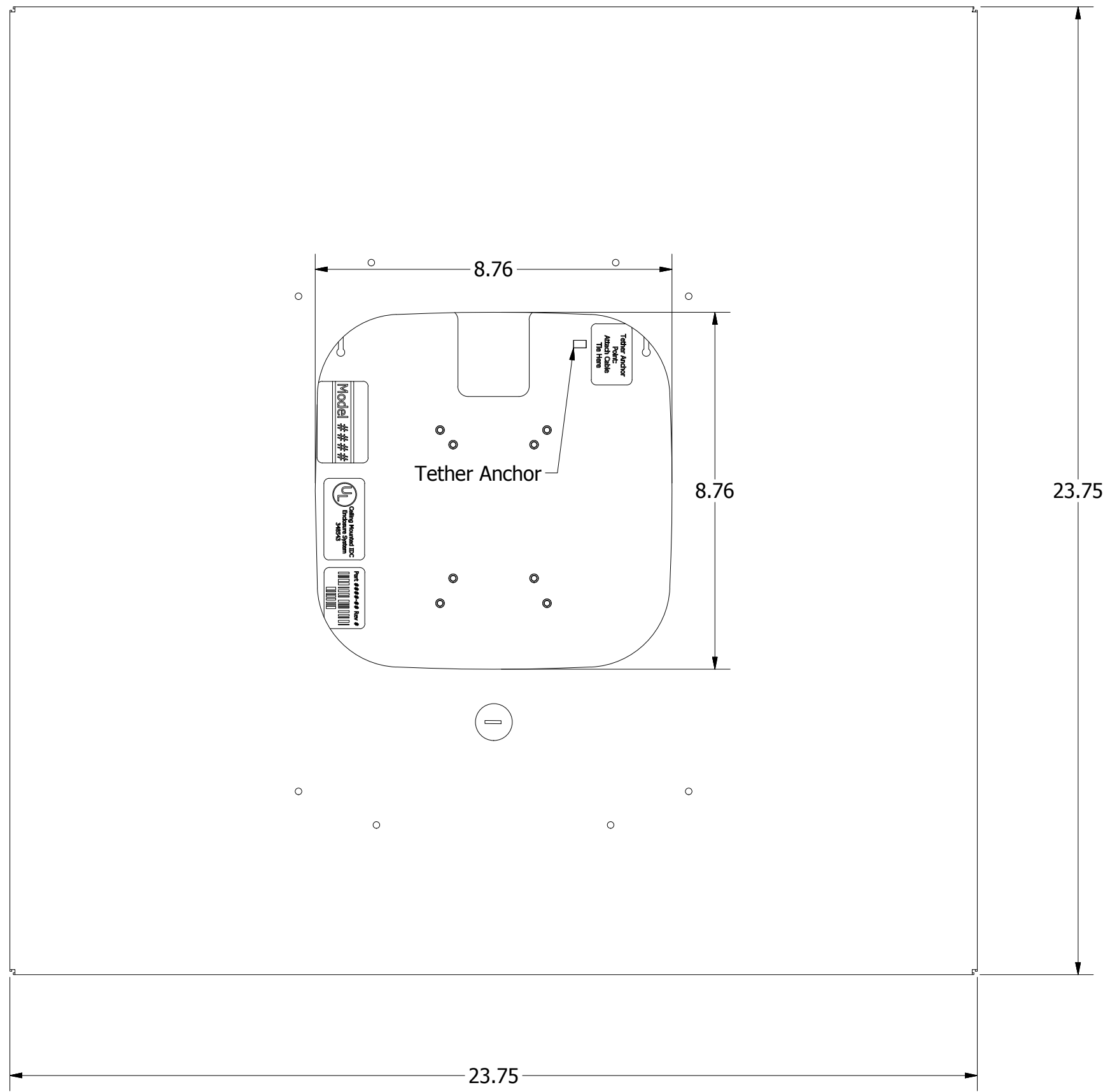
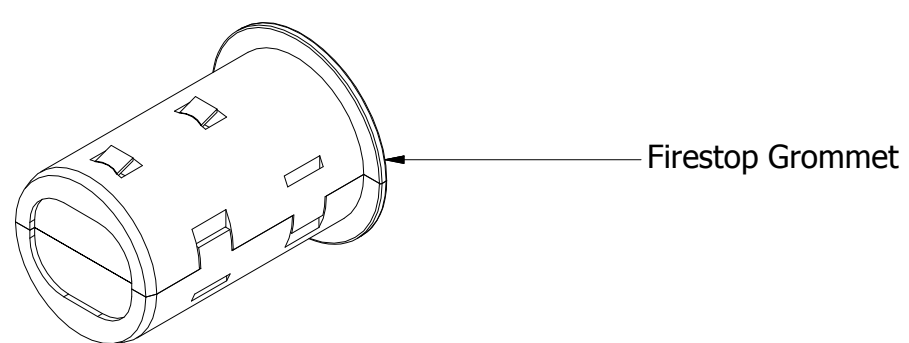


REVISION HISTORY				
ZONE	REV	DESCRIPTION	DATE	APPROVED
All	5	Added knockouts to cover, removed spot welded guides from side rails, changed cam diameter, changed opening in mounting plate and added keyhole slots, added keyhole PEMs to flange and changed PEM stud locations	5/11/2012	RLC
All	6	Added fire proof foam and label requirements	6/26/2012	RLC
All	12	Added tether anchor, firestop grommet, and standoff kit	7/8/2014	EAS



Isometric View

- NOTE:**
- Material: Flange 18 Ga. Steel
Back Box 16 Ga. Aluminum
 - Finish: White Powder Coat
 - Includes: Standoff kit for Cisco WAPs without expansion module
 - Weight: 8 lbs.



DRAWN EAS	8/20/2012	Oberon, Inc. - 1315 S. Allen St. - State College, PA 16801		
CHECKED EAS	8/20/2012	TITLE		
QA		Model 1064-00 Customer Print		
MFG EAS	8/20/2012	SIZE C	DWG NO 1064-00	REV 12
APPROVED EAS	8/20/2012	SCALE	SHEET 1 OF 1	
TOLERANCE:		.0 = +/- .030 .00 = +/- .015 .000 = +/- .005		