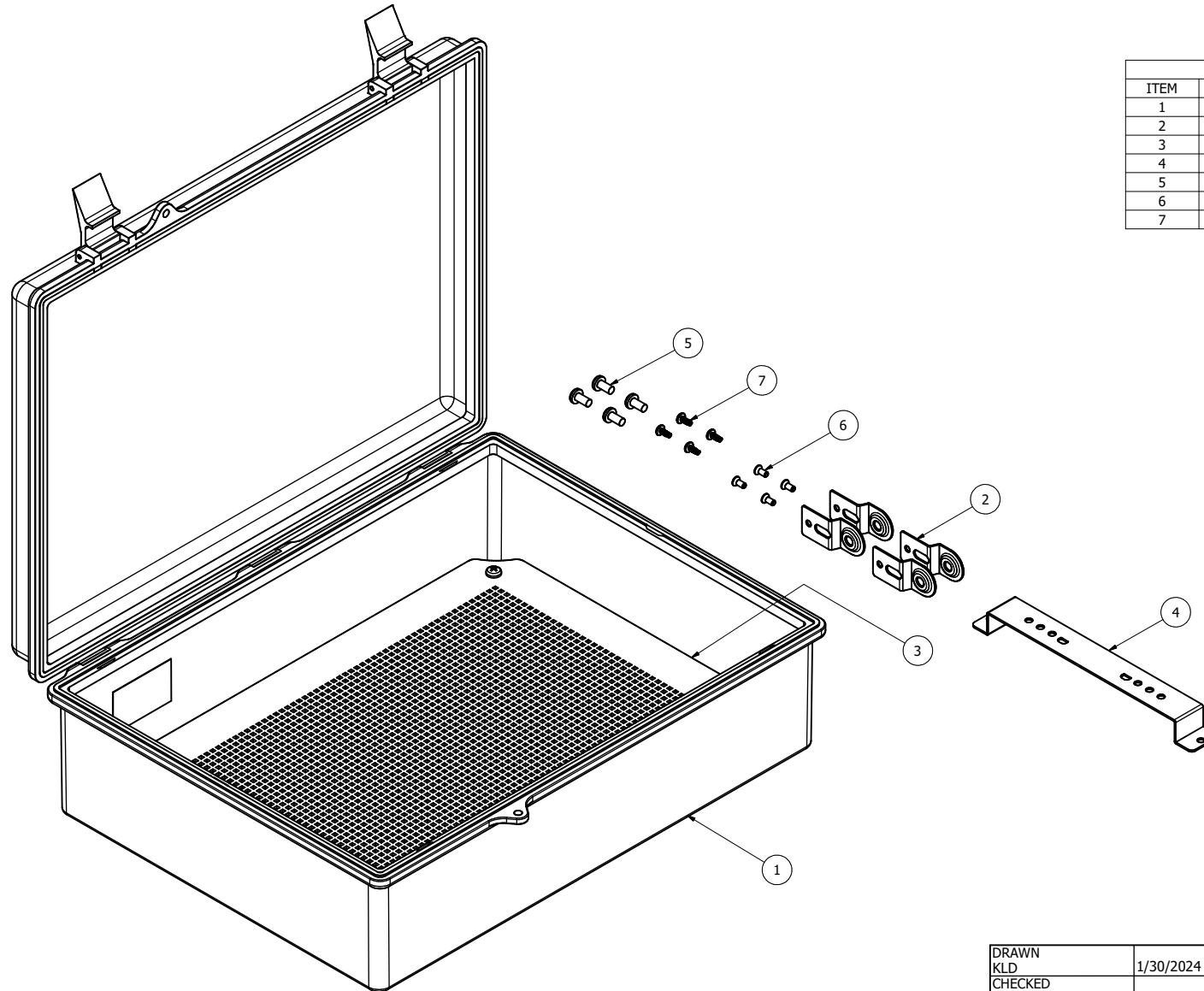


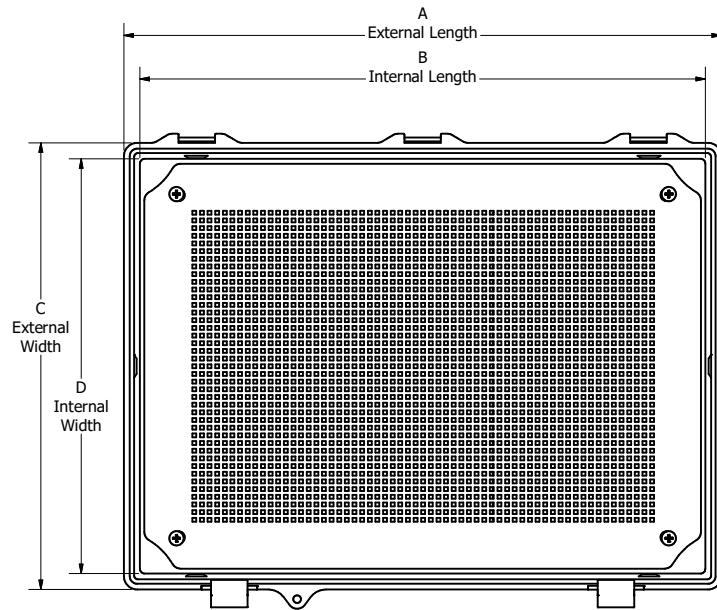
OVERVIEW

PARTS LIST		
ITEM	QTY	DESCRIPTION
1	1	Oberon Environmental Enclosure
2	4	Wall Mount Bracket
3	1	Plastic Internal Panel
4	1	T-Bar Mount (Not Included in 1024-31237)
5	8	Cross Recessed Pan Head Machine Screw - Type I - Metric
6	4	Countersunk Flat Head Screw
7	4	#6 x 5/16" Plastic Thread Forming Screw

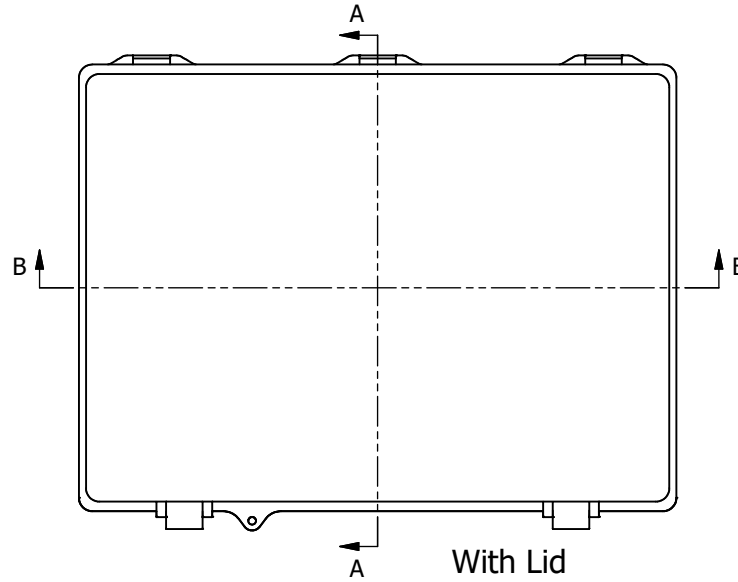


DRAWN	1/30/2024	Oberon, Inc. - 1315 S. Allen St. - State College, PA 16801	
CHECKED	1/30/2024	TITLE	
QA		Model 1024-XX Customer Print	
MFG	1/30/2024	SIZE	DWG NO
APPROVED	1/30/2024	C	See Page 2 Table
TOLERANCE:	.0 = +/- .030	SCALE	REV
	.00 = +/- .015		
	.000 = +/- .005	SHEET 1 OF 2	

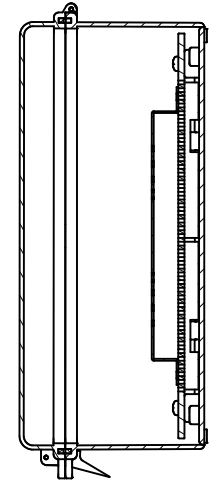
DIMENSIONS



Without Lid

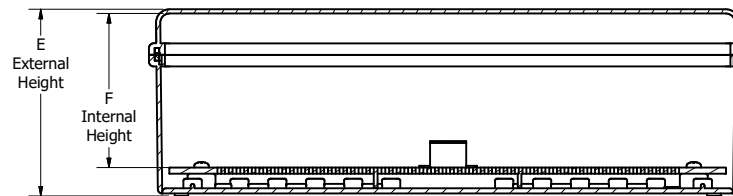


With Lid



SECTION A-A
SCALE 1/2.5

Dimensions by Part (inches)						
Model	A	B	C	D	E	F
1024-00	14.6	13.6	10.6	9.6	6.0	5.2
1024-C	14.6	13.6	10.6	9.6	6.0	5.2
1024-18137	19.2	18.2	14.6	13.3	8.0	7.2
1024-18137-C	19.2	18.2	14.6	13.3	8.0	7.2
1024-31237	33.0	31.3	24.8	23.4	7.3	6.5
1024-31237-C	33.0	31.3	24.8	23.4	7.3	6.5



SECTION B-B
SCALE 1/2.5

NOTE: All materials used in the construction of Oberon products must be RoHS compliant and meet RoHS2 Directive 2011/65/EU. Contact Oberon engineering if RoHS compliant materials are not available.

DRAWN KLD	1/30/2024	Oberon, Inc. - 1315 S. Allen St. - State College, PA 16801		
CHECKED KLD	1/30/2024	TITLE		
QA		Model 1024-XX Customer Print		
MFG KLD	1/30/2024	SIZE C	DWG NO See Page 2 Table	REV
APPROVED KLD	1/30/2024	SCALE		
TOLERANCE:	.0 = +/- .030 .00 = +/- .015 .000 = +/- .005			SHEET 2 OF 2