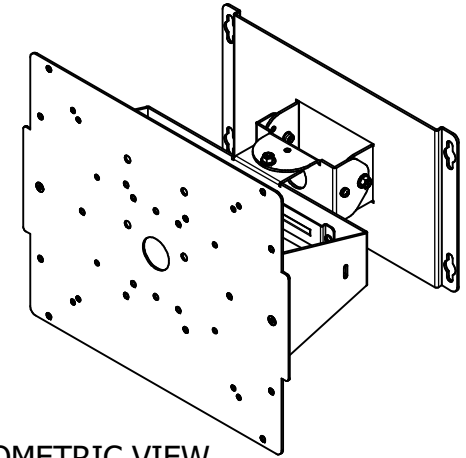
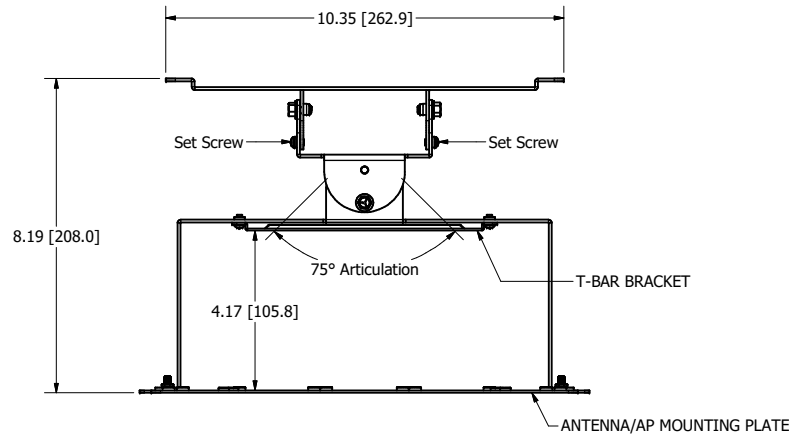
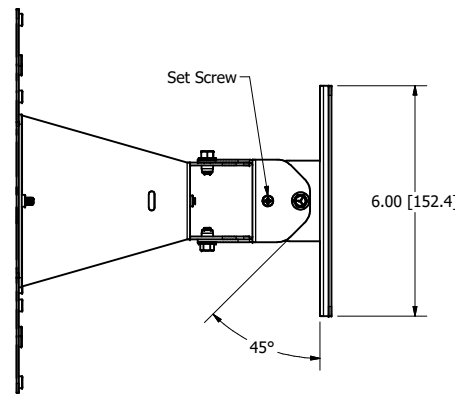
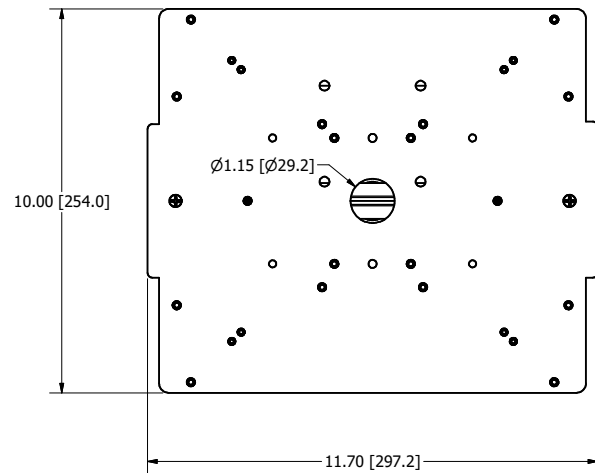


REVISION HISTORY				
ZONE	REV	DESCRIPTION	DATE	APPROVED
All	1	Released	3/6/18	ATK
Pg. 2	2	Added Pg. 2 "Mounting Hole Legend"	10/3/2019	RLC
All	3	Updated Notes, Includes List, Views, "Mounting Hole Legend"	5/28/2020	CAH
Pg. 2	4	Updated "Mounting Hole Legend"	6/4/2020	CAH



ISOMETRIC VIEW



**NOTES:**

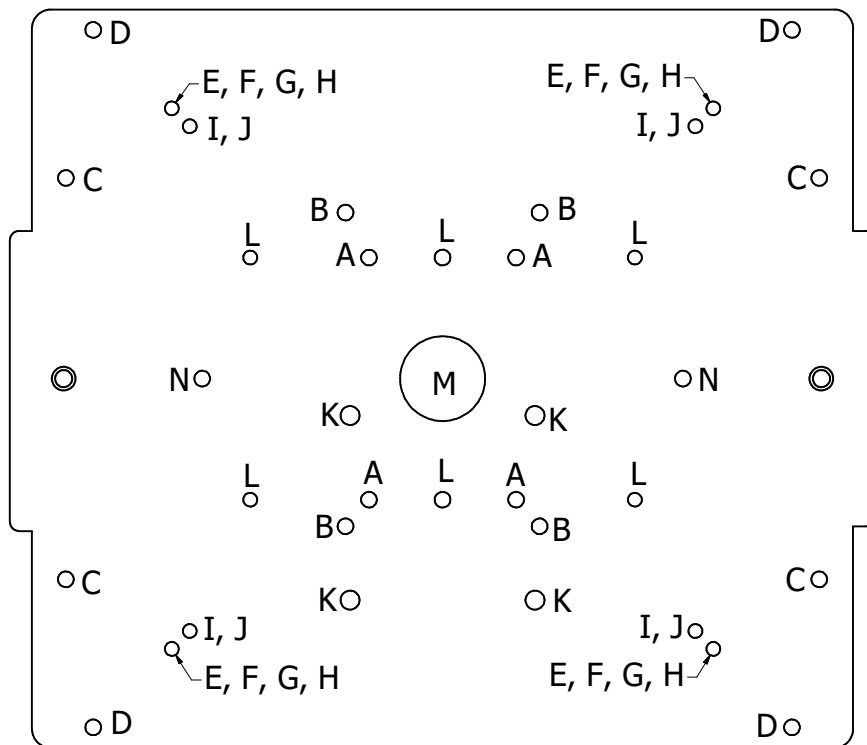
- Weight: 7 lbs.
- Material: 16 Ga. White Powder Coated Steel Mounting Plate  
14 Ga. White Powder Coated Steel Brackets

**Includes:**

- (1) Antenna/AP Mounting Plate
- (1) Articulating Bracket
- (1) T-Bar Bracket
- (2) #6-32 x 3/16" Pan Head Screws
- (2) #6-32 x 1/4" Pan Head Screws
- (4) #6-32 x 1/2" Pan Head Screws
- (4) #8-32 x 3/16" Pan Head Screws
- (2) #8-32 x 7/16" Flat Head Screws
- (4) #8-32 x 5/8" Pan Head Screws
- (2) Cable Ties
- (4) Interlocking Adhesive Strips
- (1) Mounting Screw Template

DRAWN CAH	6/4/2020	Oberon, Inc. - 1315 S. Allen St. - State College, PA 16801		
CHECKED CAH	6/4/2020	TITLE		
QA		Model 1013-00		
MFG CAH	6/4/2020	SIZE C	DWG NO 1013-00	REV 4
APPROVED CAH	6/4/2020	SCALE	SHEET 1 OF 2	
TOLERANCE:	.0 = +/- .030 .00 = +/- .015 .000 = +/- .005			

# Mounting Hole Legend



Mounting Plate for the following:

- A - Cisco AIR-AP-BRACKET-1
- B - Cisco AIR-AP-BRACKET-2
- C - Cisco Antenna AIR-ANT2566P4W-R
- D - Cisco Antenna AIR-ANT2566D4M-R
- E - Aruba Networks Antenna AP-ANT-17
- F - Aruba Networks Antenna AP-ANT-18
- G - Aruba Networks Antenna AP-ANT-25
- H - Aruba Networks Antenna AP-ANT-35
- I - Aruba Networks Antenna AP-ANT-28
- J - Aruba Networks Antenna AP-ANT-38
- K - Meraki Mounting Plate "G" Holes
- L - Single Gang Hole Spacing
- M - 1" Center Post Antennas
- N - T-Bar Mount

DRAWN CAH	6/4/2020	Oberon, Inc. - 1315 S. Allen St. - State College, PA 16801		
CHECKED CAH	6/4/2020	TITLE		
QA		Model 1013-00		
MFG CAH	6/4/2020	SIZE C	DWG NO 1013-00	REV 4
APPROVED CAH	6/4/2020	SCALE	SHEET 2 OF 2	
TOLERANCE:				
.0 = +/- .030				
.00 = +/- .015				
.000 = +/- .005				