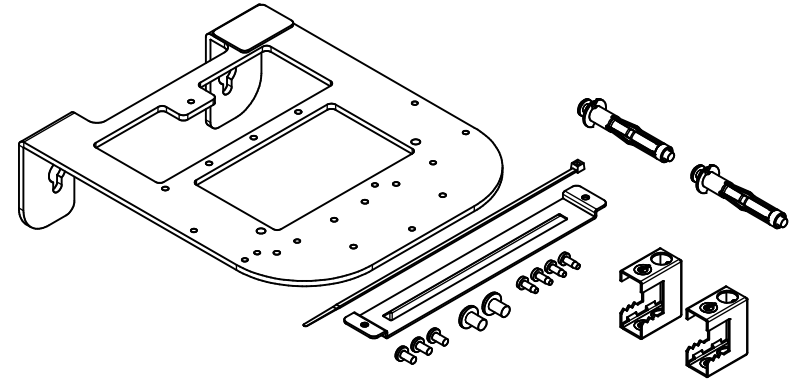
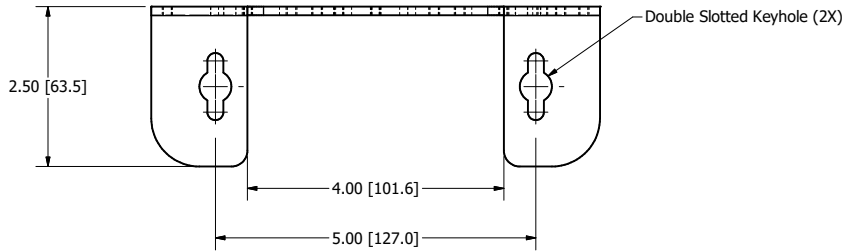
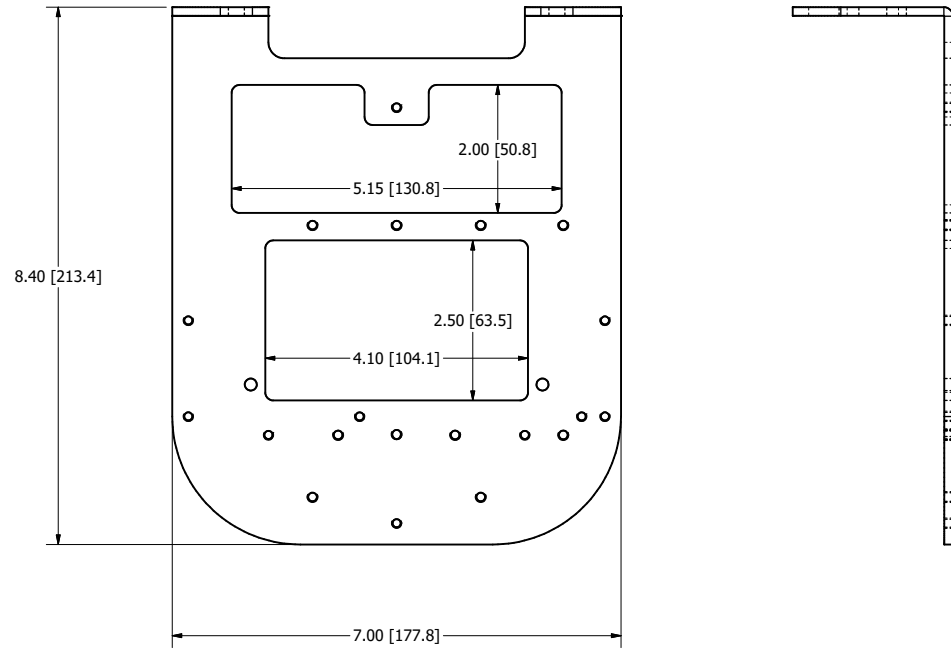


REVISION HISTORY				
ZONE	REV	DESCRIPTION	DATE	APPROVED
All	1	Released	8/1/2019	DLV
All	2	Updated Views, Notes, "Includes" List, and Configuration Table	2/14/2020	CAH
All	3	Updated Configuration Table	3/18/2020	CAH
All	4	Removed Configuration Table; Updated Notes and "Includes" List; Updated AP Mounting Legend	1/25/2021	CAH
All	5	Removed PEMs, Added Isometric Assembly View	8/15/2023	KLD



ISOMETRIC VIEW



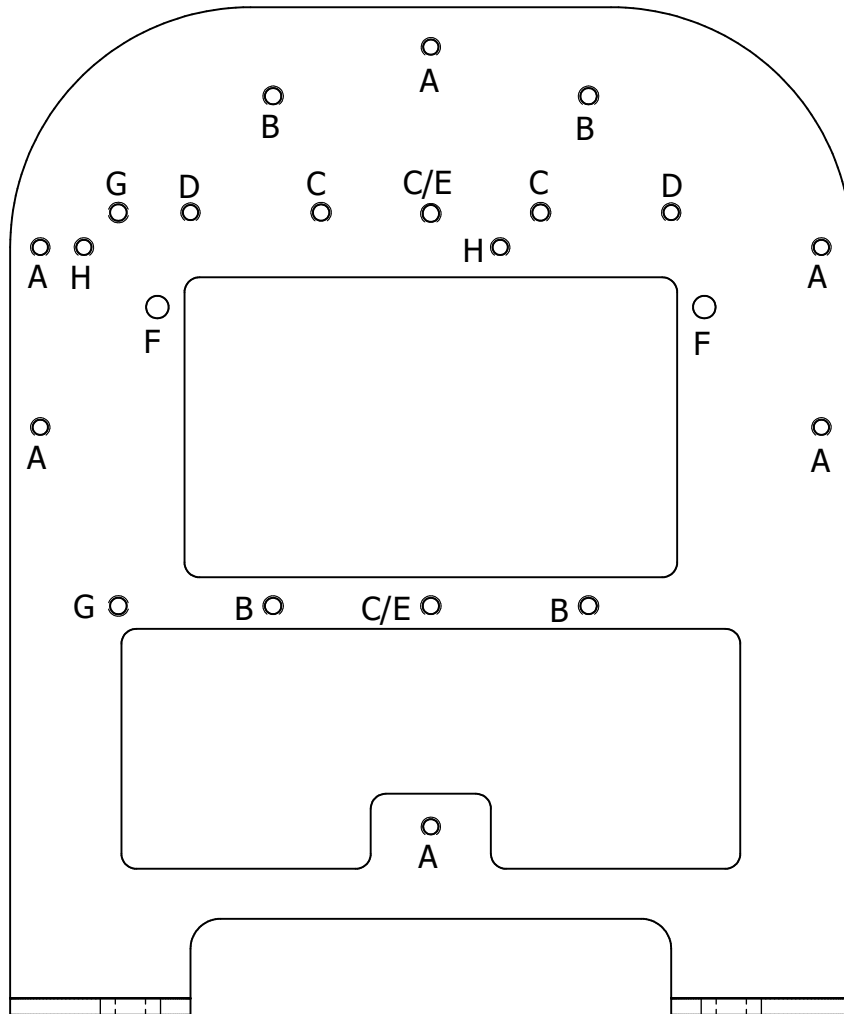
NOTES:

- Weight: 3 lbs
- Material: 10 Ga. Steel Right-Angle Wall Mount with White or Black Powder Coat
- 18 Ga. Galvanized Steel T-Bar Bracket

Includes:

- (1) Right-Angle Mount
- (1) T-Bar Bracket
- (2) Hollow Tip Wall Anchors
- (2) 1/4-20 Beam Clamps
- (2) 1/4-20 x 1/2 in. Screws with Lock Washers
- (4) #6-32 x 5/16 in. Screws
- (2) M4 x 8 mm Screws
- (1) Cable Tie

DRAWN KLD	8/15/2023	Oberon, Inc. - 1315 S. Allen St. - State College, PA 16801		
CHECKED KLD	8/15/2023	TITLE		
QA		Model 1008-00-XX		
MFG KLD	8/15/2023	SIZE C	DWG NO 1008-00-XX	REV 5
APPROVED KLD	8/15/2023	SCALE	SHEET 1 OF 2	
TOLERANCE:	.0 = +/- .030 .00 = +/- .015 .000 = +/- .005			



AP Mounting Legend

- A - T-Bar Bracket
- B - Cisco AIR-AP-BRACKET-1
- C - Cisco AIR-AP-BRACKET-2
- D - Meraki Mounting Plate
- E - Single Gang Outlet Box
- F - Aruba 5XX Series Mounting Holes
- G - Single Gang Outlet Box for Meraki MA-MNT-MR Mounting Plates
- H - Meraki MA-MNT-MR-14 Mounting Plate Holes

DRAWN KLD	8/15/2023	Oberon, Inc. - 1315 S. Allen St. - State College, PA 16801		
CHECKED KLD	8/15/2023	TITLE		
QA		Model 1008-00-XX		
MFG KLD	8/15/2023	SIZE C	DWG NO 1008-00-XX	REV 5
APPROVED KLD	8/15/2023	SCALE	SHEET 2 OF 2	
TOLERANCE:	.0 = +/- .030 .00 = +/- .015 .000 = +/- .005			