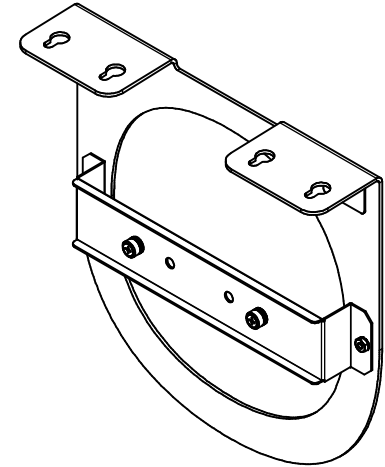
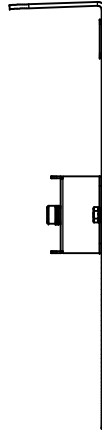
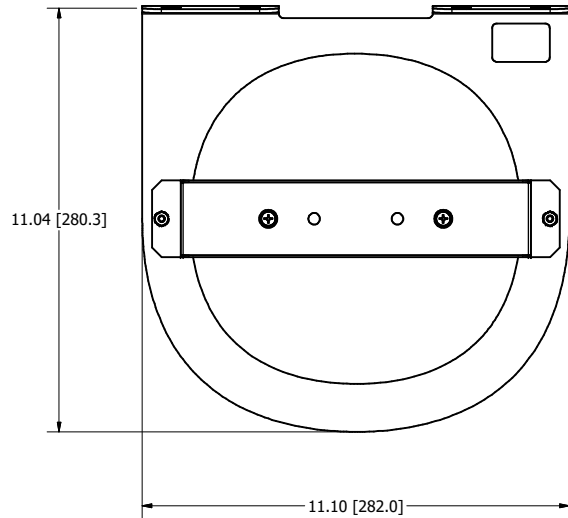
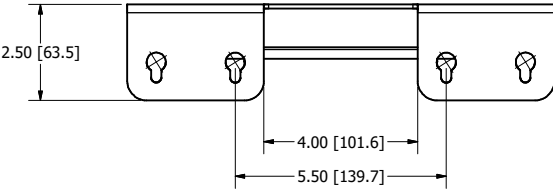


# RIGHT-ANGLE BRACKET

\*\*NOTE: Mount Cutout  
Specific to Access Point



ISOMETRIC VIEW

REVISION HISTORY				
ZONE	REV	DESCRIPTION	DATE	APPROVED
All	1	Released	10/11/2021	RLC
All	2	Updated Configuration Table	10/4/2022	RLC

CONFIGURATION TABLE					
MODEL NUMBER	ACCESS POINT	LENGTH (in)	WIDTH (in)	HEIGHT (in)	OKW (in)
1006-AP615	Aruba AP615	8.5	8.5	2.5	N/A
1006-AP635	Aruba AP635	11.04	11.10	2.5	N/A
1006-AP655	Aruba AP655	13.08	12.86	2.5	N/A

**NOTES:**

- Weight: 3 lbs.
- Material: 12 Ga. White Powder Coated Steel Base  
16 Ga. White Powder Coated Steel Mounting Bracket

**Includes:**

- (1) Right-Angle Bracket, Specific to Access Point
- (4) Hollow Tip Wall Anchors
- (4) Snap Caps
- Access Point Attachment Hardware

DRAWN RLC	10/4/2022	Oberon, Inc. - 1315 S. Allen St. - State College, PA 16801		
CHECKED RLC	10/4/2022	TITLE		
QA		Model 1006-ARAP6XX		
MFG RLC	10/4/2022	SIZE C	DWG NO 1006-ARAP6XX	REV 2
APPROVED RLC	10/4/2022	SCALE	SHEET 1 OF 1	
TOLERANCE:	.0 = +/- .030 .00 = +/- .015 .000 = +/- .005			