

REVISION HISTORY				
ZONE	REV	DESCRIPTION	DATE	APPROVED
All	1	Released	8/3/2021	RLC

D

D

C

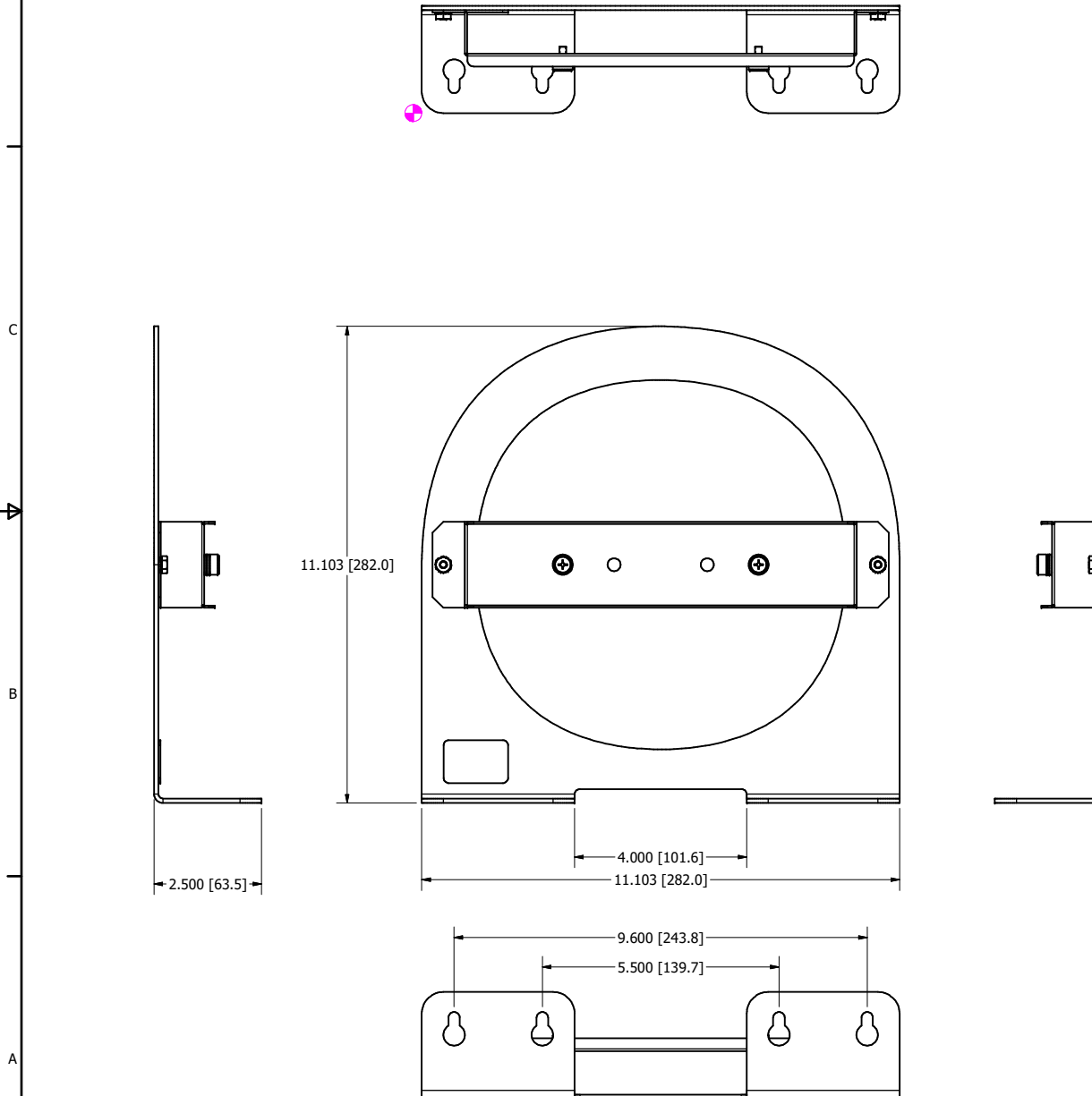
C

B

B

A

A



#### ORDERING INFORMATION:

##### MANUFACTURER/MODEL:

Cisco 2600/2700/3500/3700  
 Cisco 2800/3800  
 Cisco 9115  
 Cisco 9117  
 Cisco 9120  
 Cisco 9130  
 Cisco HLA  
 Aruba Networks AP225  
 Aruba Networks AP305  
 Aruba Networks AP315  
 Aruba Networks AP325  
 Aruba Networks AP335  
 Aruba Networks AP515  
 Aruba Networks AP535  
 Aruba Networks AP635  
 Extreme Networks 3925  
 Ubiquiti Unifi

##### OBERON ENCLOSURE MODEL:

Model 1006-CCOAP  
 Model 1006-CCOAP3800  
 Model 1006-COAP9115  
 Model 1006-COAP9117  
 Model 1006-COAP9120  
 Model 1006-HLA  
 Model 1006-AP225  
 Model 1006-AP305  
 Model 1006-AP315  
 Model 1006-AP325  
 Model 1006-AP335  
 Model 1006-AP515  
 Model 1006-AP535  
 Model 1006-EX3900  
 Model 1006-UBI

#### NOTES:

- Weight: 3 lbs.
- Material: 10 Gauge Steel Base White Powder Coat  
16 Gauge Steel Mounting Bracket White Powder Coat

#### Includes:

- Installation Hardware for Access Point
- Hardware for wall attachment supplied by customer

Oberon, Inc. - 1315 S. Allen St. - State College, PA 16801

TITLE

Model 1006-ARAP635

SIZE	DWG NO	DATE
C	4358	8/3/2021
SCALE	SHEET 1 OF 2	

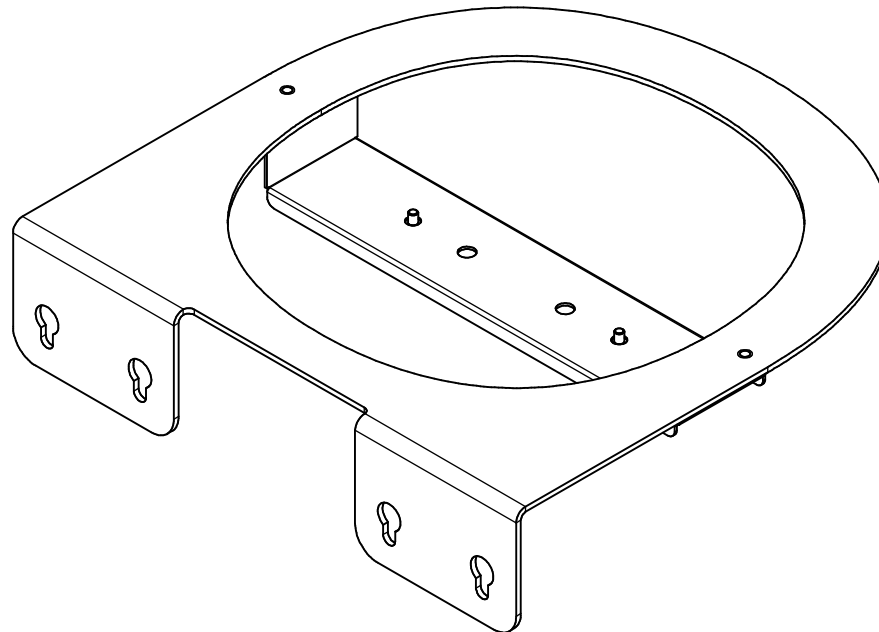
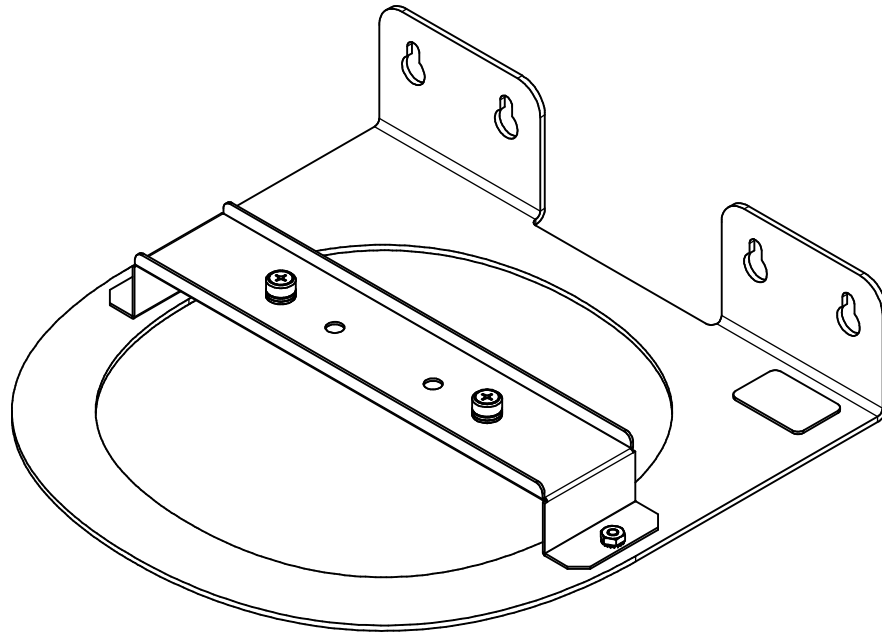
4

3

2

1

# ISOMETRIC VIEWS



Oberon, Inc. - 1315 S. Allen St. - State College, PA 16801		
TITLE		
Model 1006-ARAP635		
SIZE	DWG NO	DATE
C	4358	8/3/2021
SCALE	SHEET 2 OF 2	