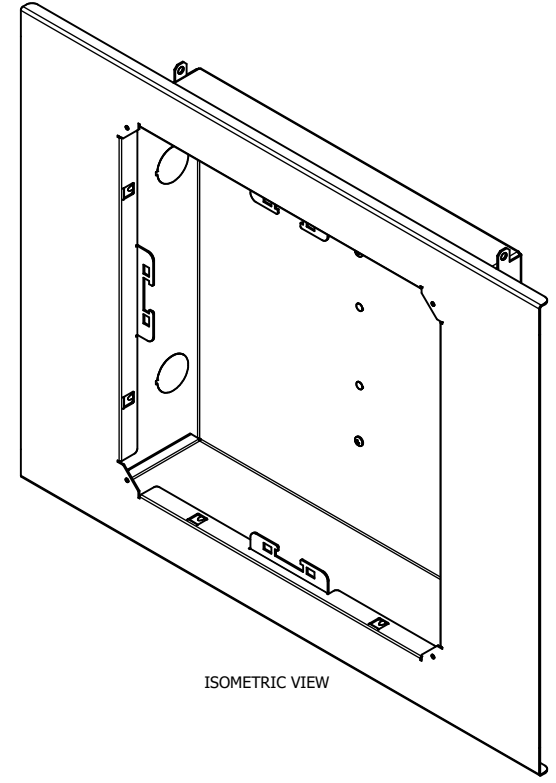
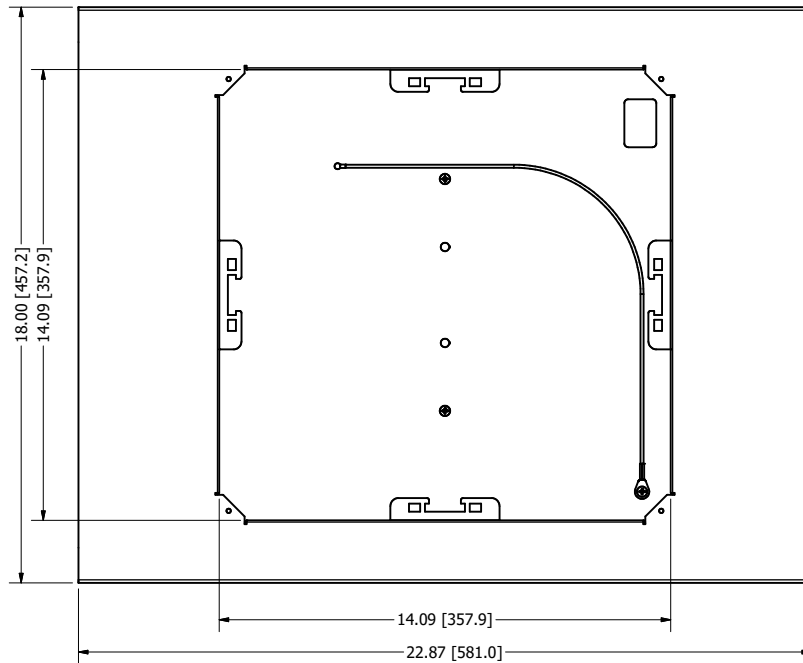
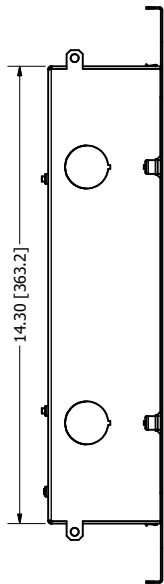
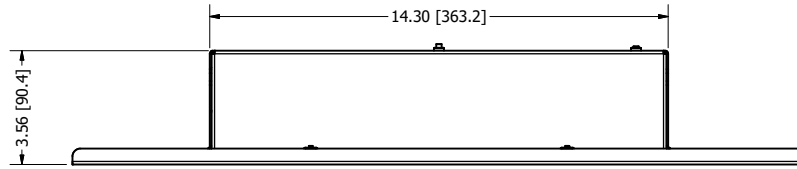


BACKBOX ASSEMBLY



ISOMETRIC VIEW

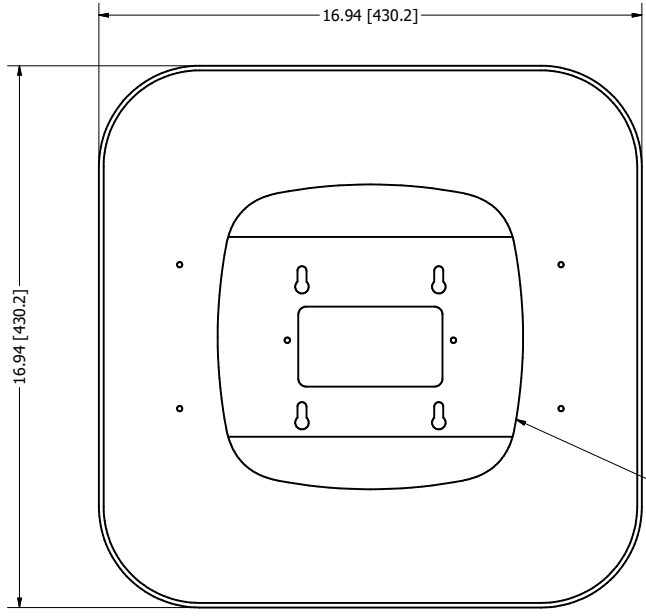
NOTES:

- Weight: 9 lbs.
- Material: 20 Ga. Galvanized Steel Backbox

UL Listed - File Number E348543
OSHPD Approved - OPM-0110

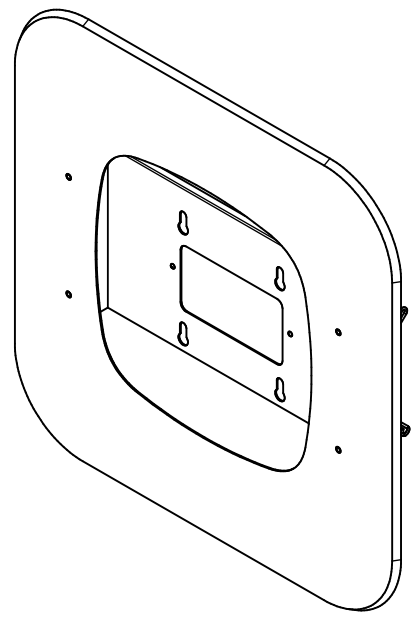
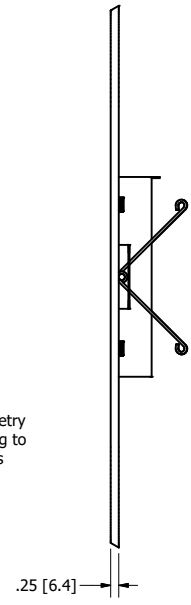
Oberon, Inc. - 1315 S. Allen St. - State College, PA 16801		
TITLE		
Model 1444-XXXX		
SIZE	DWG NO	DATE
C	1444-XXXX	4/3/2024
SCALE	SHEET 1 OF 3	

TRIM ASSEMBLY

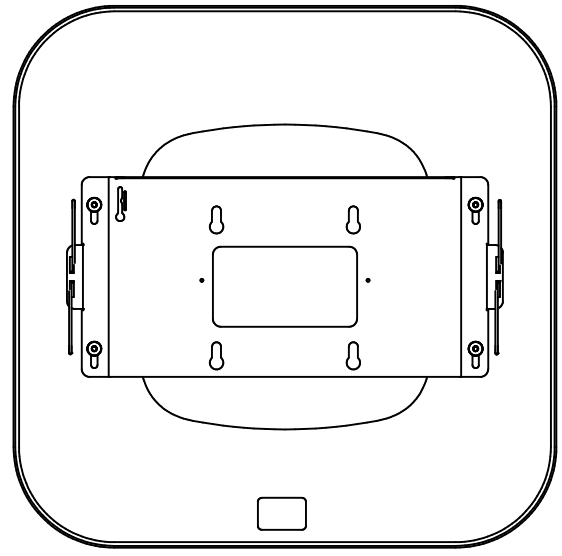


FRONT VIEW

Cutout Geometry Corresponding to Access Point's Geometry



ISOMETRIC VIEW



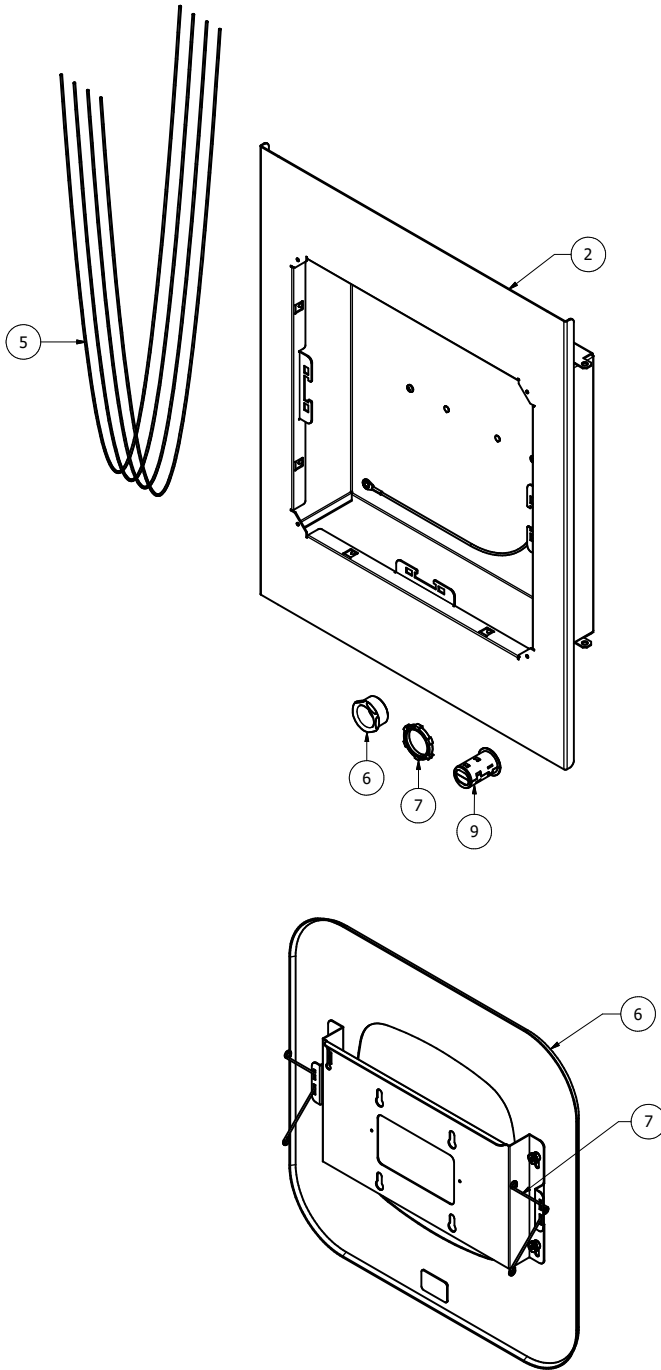
BACK VIEW

NOTES:

- Weight: 3 lbs.
- Material: White Powder Coated 20 Gauge Steel
- Trim Design Specific to Access Point

Oberon, Inc. - 1315 S. Allen St. - State College, PA 16801		
TITLE		
Model 1444-XXXX		
SIZE	DWG NO	DATE
C	1444-XXXX	4/3/2024
SCALE	SHEET 2 OF 3	

INCLUDES



PARTS LIST		
ITEM	QTY	DESCRIPTION
2	1	Back Box Assembly
5	4	12 gauge grid wire x 4 foot long
6	1	1 inch Conduit Nipple
7	1	1 inch Conduit Nut
9	1	Fire Foam Plug
11	1	Top Cover Specific to Access Point
7	2	Torsion Springs
8	-	Mounting Hardware as Required

Oberon, Inc. - 1315 S. Allen St. - State College, PA 16801		
TITLE		
Model 1444-XXXX		
SIZE	DWG NO	DATE
C	1444-XXXX	4/3/2024
SCALE	SHEET 3 OF 3	