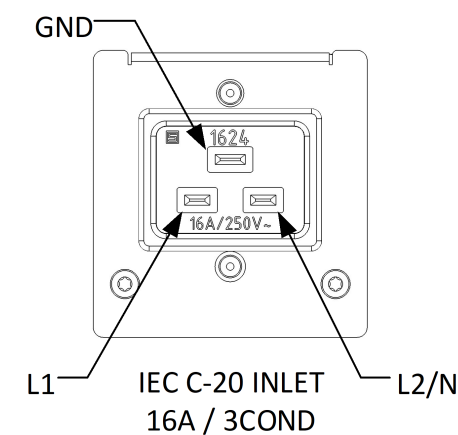
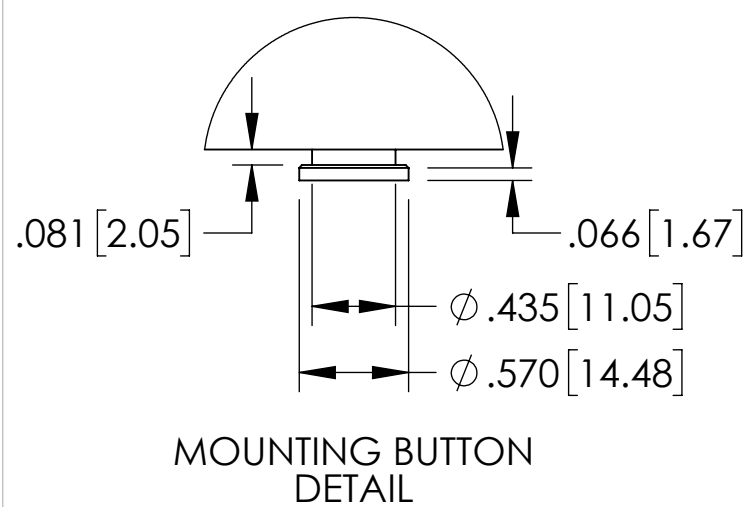
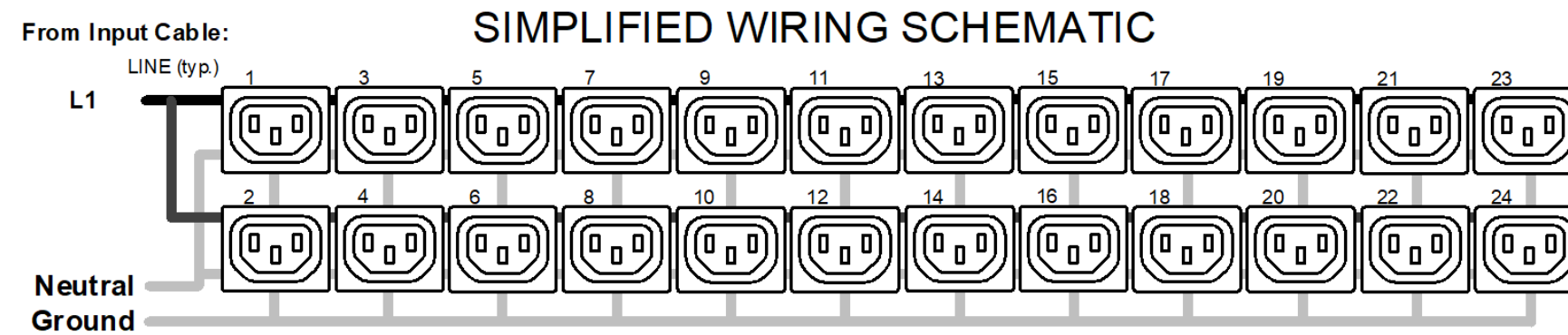
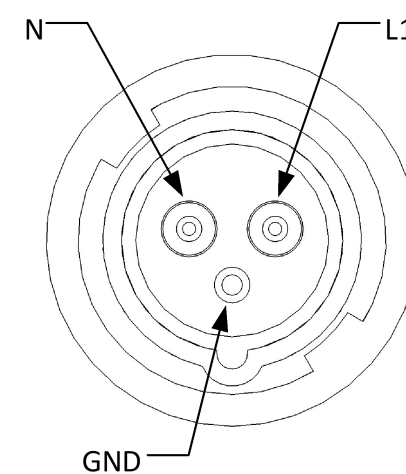


MOUNTING BUTTON



INPUT PLUG DETAIL
IEC60309 6H
16A / 2P3W



| Technical Specs: | |
|----------------------------------|---|
| Input Ratings | |
| Nominal Voltage (VAC) | 220 - 240V 1ph |
| Input Plug / Cord | 316P6/320P6 (IP67), 10ft. Cord |
| Current Rating | 16A |
| Power Rating (kW) | 3.84 |
| Output Ratings | |
| Nominal Voltage (VAC) | 220-240V |
| Current Rating | 16A |
| Outlet Rating | C13 10A max |
| Max Current per Breaker | N/A Balanced; N/A Unbalanced |
| Outlet Combination | |
| Load Segment | Refer to Simplified Wire Schematic |
| PDU Total | (24)C13 |
| Branch Circuit Protection | |
| | (0) No Breaker |
| Features: | |
| Local Display | No Display |
| Branch Monitoring | Not Supported |
| Outlet Monitoring | Not Supported |
| Monitoring Accuracy | Not Supported |
| Ethernet Port | Not Supported |
| Remote Monitoring | Not Supported |
| Remote Control | Not Supported |
| IP Consolidation | Not Supported |
| USB Ports (2) | Not Supported |
| Controller Module | Not Supported |
| Auxiliary Port (2) | Not Supported |
| Cord Retention | Locking Receptacles |
| Mounting System | Multiple tool-less mounting button locations, A and B (see detail) |
| Dimensions & Weights: | |
| Width (In[mm]) | 2.2[55] |
| Height (In[mm]) | 71.9[1827] |
| Depth (In[mm]) | 2.2[57.6] |
| Weight (lbs[kg]) | 18[8.2] |
| Regulatory Information: | |
| | NEMKO Listed to UL/IEC 62368-1, CE, RoHS, FCC Part 15 Class A, EN 55022 |
| Regulatory Part Number: | |
| | K10-0Y410-004-72A |
| Environmental Conditions: | |
| Operating Temperature | 32 - 149F (0 - 65C) @ Input Pwr Rating (kW) |
| Operating Rel Humidity | 5 - 95% |
| Operating Elevation | 0-10000 ft (0-3000 m) |
| Storage Temperature | -13 - 149F (-25 - 65C) |
| Storage Rel Humidity | 5 - 95% |
| Storage Elevation | 0-50000ft (0-15000m) |
| Hardware Included: | |
| | (2) tool-less pre-installed mounting buttons (1) ground kit cable |
| Warranty: | |
| | 3 yrs. Standard, 2 add'l yrs Opt'l |
| Optional Accessories: | |
| | Not Supported |

- Notes:
- All Dimension are in inches [millimeters] unless otherwise specified
 - Installation must conform with all related national and local codes
 - All Bracket kits are sold separately. Toolless mounting buttons are included for installation in CPI cabinets.
 - For more information, please contact Tech Support at techsupport@chatsworth.com

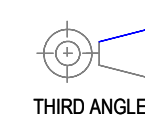
©2019 Chatsworth Products, Inc.
All rights reserved.

All products quoted are subject to availability based on manufacturing capacity and shipping dates should be considered estimates only.

While every effort has been made to ensure the accuracy of all information, CPI does not accept liability for any errors or omissions and reserves the right to change information and descriptions of listed services and products.



eConnect Vertical 42U(0U) PDU, Basic, C20 inlet to IEC 60309 16A 1P+N+E, 10ft (3m), 220-240V Single Phase Input, WYE, 16A, (24) C13 Outlets, 220-240V Output



E0-1005-X

SHEET 1 OF 1

ISS

1