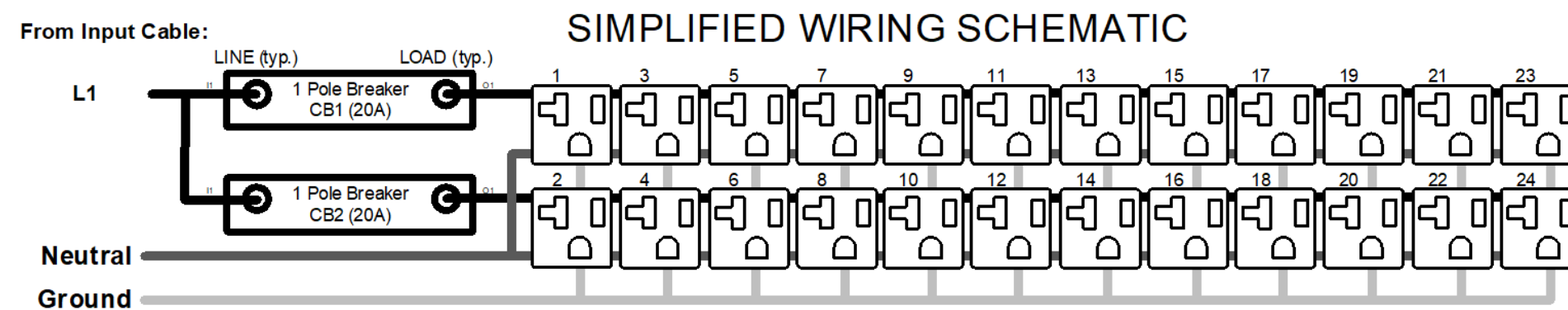
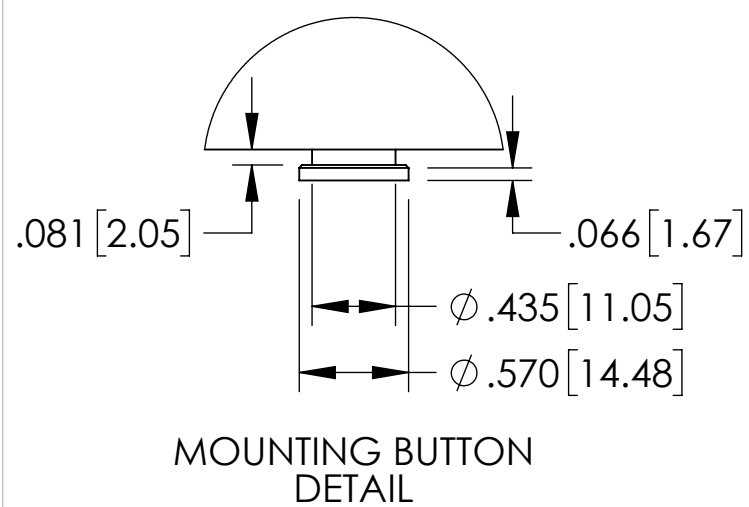


MOUNTING BUTTON

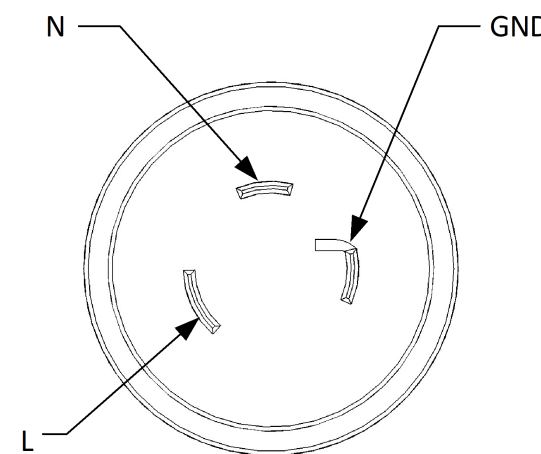


SIMPLIFIED WIRING SCHEMATIC



MOUNTING BUTTON DETAIL

**INPUT PLUG DETAIL
NEMA L5-30
30A / 2P3W**



Technical Specs:	
Input Ratings	
Nominal Voltage (VAC)	120V 1ph
Input Plug / Cord	NEMA L5-30P (IP20), 10ft. Cord
Current Rating	24A
Power Rating (kW)	2.88
Output Ratings	
Nominal Voltage (VAC)	120V
Current Rating	24A
Outlet Rating	5-20 16A max
Max Current per Breaker	12A Balanced; 16A Unbalanced
Outlet Combination	
Load Segment	Refer to Simplified Wire Schematic
PDU Total	(24)5-20
Branch Circuit Protection	
	(2) 1Pole 20A 5kAIC Breaker
Features:	
Local Display	No Display
Branch Monitoring	Not Supported
Outlet Monitoring	Not Supported
Monitoring Accuracy	Not Supported
Ethernet Port	Not Supported
Remote Monitoring	Not Supported
Remote Control	Not Supported
IP Consolidation	Not Supported
USB Ports (2)	Not Supported
Controller Module	Not Supported
Auxiliary Port (2)	Not Supported
Cord Retention	Locking Receptacles
Mounting System	Multiple tool-less mounting button locations, A and B (see detail)
Dimensions & Weights:	
Width (In[mm])	2.2[55]
Height (In[mm])	71.9[1827]
Depth (In[mm])	2.2[57.6]
Weight (lbs[kg])	18[8.2]
Regulatory Information:	
	NEMKO Listed to UL/IEC 62368-1, CE, RoHS, FCC Part 15 Class A, EN 55022
Regulatory Part Number:	
	K10-2Y045-204-72A
Environmental Conditions:	
Operating Temperature	32 - 149F (0 - 65C)@ Input Pwr Rating (kW)
Operating Rel Humidity	5 - 95%
Operating Elevation	0-10000 ft (0-3000 m)
Storage Temperature	-13 - 149F (-25 - 65C)
Storage Rel Humidity	5 - 95%
Storage Elevation	0-50000ft (0-15000m)
Hardware Included:	
	(2) tool-less pre-installed mounting buttons (1) ground kit cable
Warranty:	
	3 yrs. Standard, 2 add'l yrs Opt'l
Optional Accessories:	
	Not Supported

- Notes:
- 1 All Dimension are in inches [millimeters] unless otherwise specified
 - 2 Installation must conform with all related national and local codes
 - 3 All Bracket kits are sold separately. Toolless mounting buttons are included for installation in CPI cabinets.
 - 4 For more information, please contact Tech Support at techsupport@chatsworth.com

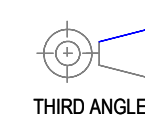
©2019 Chatsworth Products, Inc. All rights reserved.

All products quoted are subject to availability based on manufacturing capacity and shipping dates should be considered estimates only.

While every effort has been made to ensure the accuracy of all information, CPI does not accept liability for any errors or omissions and reserves the right to change information and descriptions of listed services and products.



eConnect Vertical 42U(0U) PDU, Basic, L5-30, 10ft (3m), 120V Single Phase Input, WYE, 30A, (24) 5-20 Outlets, 120V Output



E0-1002-X

SHEET 1 OF 1

ISS 1