



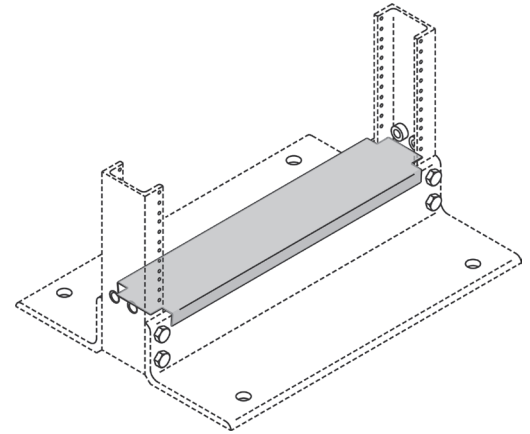
CHATSWORTH
PRODUCTS

Rack Base Dust Cover

Rack Base Dust Cover

Improves appearance and prevents the accumulation of dust and debris at the rack base. Snaps securely in place over the base assembly; no mounting hardware necessary. Made of lightweight aluminum.

- For CPI Racks with 3"D or 6"D (80 mm or 150 mm) channel



ORDERING INFORMATION

19" Rack	Part Number		Description in (mm)
	23" Rack	35" Rack	
41050-X19	41050-X23	N/A	3 (80) Channel
42050-X19	42050-X23	42050-X35	6 (150) Channel

X=color: 1=Gray,5=Clear, 7=Black, E=Glacier White

United States & Canada
Simi Valley, CA
800-834-4969
Toronto, Ontario, Canada
+905-850-7770
chatsworth.com
techsupport@chatsworth.com

Latin America
Mexico City, Mexico
+52-55-5203-7525
Toll Free within Mexico
800-201-7592
chatsworth.com.co

Europe
Buckinghamshire
England, UK
+44-1628-524-834

Middle East & Africa
Dubai, UAE
+971-4-2602125
Doha, Qatar
+974-4-267422

Asia Pacific
Jing'an District,
Shanghai, China
+86 21 6880-0266
chatsworth.com.cn