



**CHATSWORTH
PRODUCTS**

Rack Line-Up Spacer

Rack Line-Up Spacer

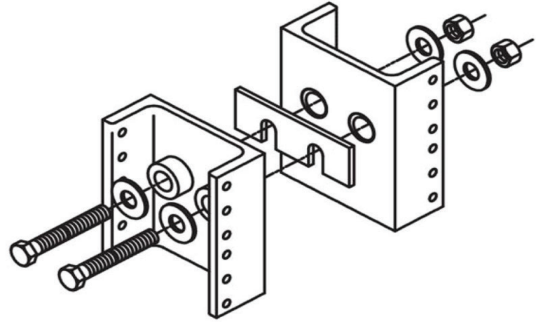
Bolts and spacer securely attach two racks mounted side-by-side.

Universal Rack Kit consists of:

- (2) spacer plates 1" x 3" x 1/8" (30 mm x 80 mm x 3.18 mm) thick aluminum
- (4) 5/16-18 x 2" hex cap screws
- (4) 5/16-18 hex nuts
- (8) 5/16 plain washers

Standard Rack Kit consists of:

- (2) spacer plates 1" x 3" x 1/8" (30 mm x 80 mm x 3.18 mm) thick aluminum
- (4) 1/2-20 x 1" hex cap screws
- (4) 1/2-20 hex nuts
- (4) 1/2 plain washers.



ORDERING INFORMATION

Part Number	Description	Shipping Weight lb (kg)
40602-X00	Rack Line-Up Spacer, Universal Rack	1 (0.5)
40702-X01	Rack Line-Up Spacer, Standard Rack	1 (0.5)

X=color: 1=Gray,5=Clear, 7=Black, E=Glacier White

United States & Canada
 Simi Valley, CA
 800-834-4969
 Toronto, Ontario, Canada
 +905-850-7770
 chatsworth.com
 techsupport@chatsworth.com

Latin America
 Mexico City, Mexico
 +52-55-5203-7525
 Toll Free within Mexico
 800-201-7592
 chatsworth.com.co

Europe
 Buckinghamshire
 England, UK
 +44-1628-524-834

Middle East & Africa
 Dubai, UAE
 +971-4-2602125
 Doha, Qatar
 +974-4-267422

Asia Pacific
 Jing'an District,
 Shanghai, China
 +86 21 6880-0266
 chatsworth.com.cn