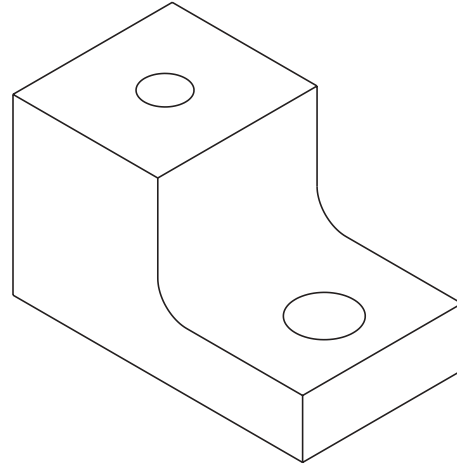


# Product Information Sheet

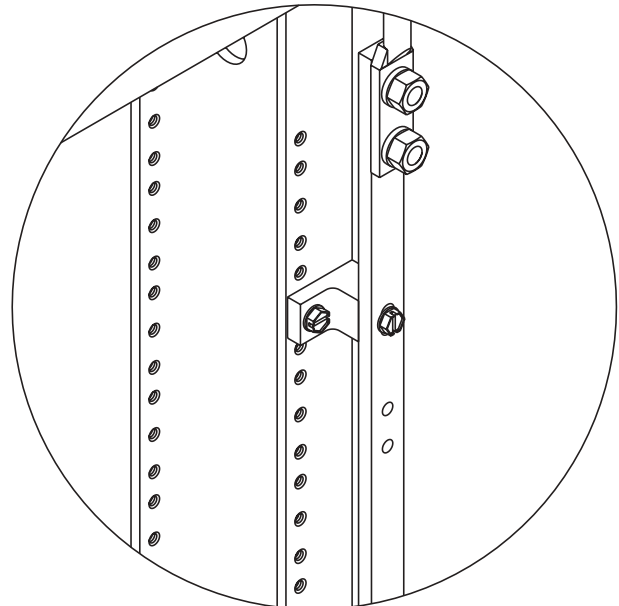
## RACK BUSBAR INSULATOR BLOCK

Rack Busbar Insulator Blocks provide rigid support to physically separate Rack Busbars from all sources of electrical energy. Its offset design securely attaches the Busbar using a #12 self-tapping screw while allowing unobstructed access to rack-mounted equipment. The Insulator Block has a #12 clearance hole for mounting to the rack.

- Made of durable, nonconductive white Delrin®
- Block measures 11/16"W x 3/4"H x 1-1/4"L
- Available individually or in packages of 50



Part Number	Description	Unit	Shipping Weight
40157-001	Insulator Block	1	.25 lb
40157-050	Insulator Block	50	2 lb



*Shown Mounted to Rack*

800-834-4969 in U.S. & Canada • [www.chatsworth.com](http://www.chatsworth.com)



CHATSWORTH PRODUCTS, INC.

©2003 Chatsworth Products, Inc. All rights reserved. CPI is a registered trademark of Chatsworth Products, Inc. All other trademarks belong to their respective companies. 06/03