

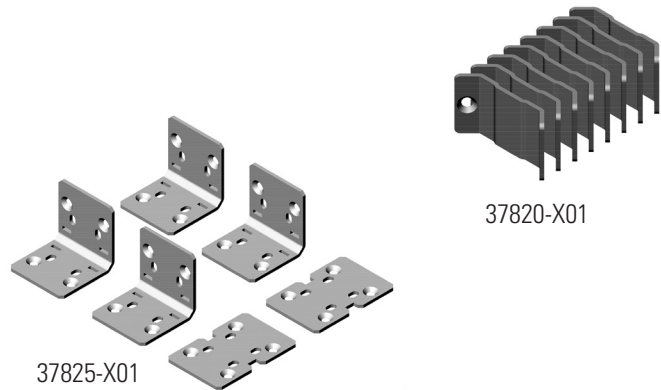
Baying Kits for RMR Enclosure Systems

Baying Kits attach, or bay, two RMR Modular Enclosures together side-by-side.

- Brackets maintain the space between enclosures to ensure a tight seal
- Enclosures must be the same height and depth
- Side panels are removed or omitted from the both enclosures before the enclosures are bayed

RMR Modular Enclosure Baying Accessory Kit

Includes eight external baying brackets, two flat brackets and microcellular urethane foam seal to fill gap between enclosures.

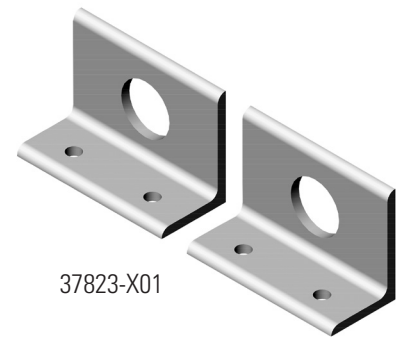


RMR Modular Enclosure Internal Baying Accessory Kit With Seal

Includes four corner baying brackets, four flat brackets and microcellular urethane foam seal to fill gap between enclosures.

RMR Modular Enclosure Eyebolt Baying Kit

Creates lifting points at front and rear center of two bayed enclosures. Includes two eyebolt baying brackets and installation hardware. Use with a Baying Accessory Kit.



ORDERING INFORMATION

Part Number	Description	Shipping Weight lb (kg)
37820-X01	Baying Accessory Kit	5 (2.3)
37825-X01	Internal Baying Accessory Kit With Seal	6 (2.8)
37823-001	Eyebolt Baying Kit	7 (3.2)

X=color: C=Black, G=Hammer Gray.

For product CSI Specs, visit the Support & Downloads page on www.chatsworth.com.

US & Canada

+1-800-834-4969
Toronto, Ontario, Canada
+905-850-7770
chatsworth.com
techsupport@chatsworth.com

Latin America

+52-55-5203-7525
Toll Free within Mexico
01-800-01-7592
chatsworth.com.co

Europe

+44-1628-524-834
chatsworthproducts.co.uk

Middle East & Africa

Dubai, UAE
+971-4-2602125
chatsworth.ae

Asia Pacific

+86 21 6880-0266
chatsworth.com.cn



CHATSWORTH
PRODUCTS