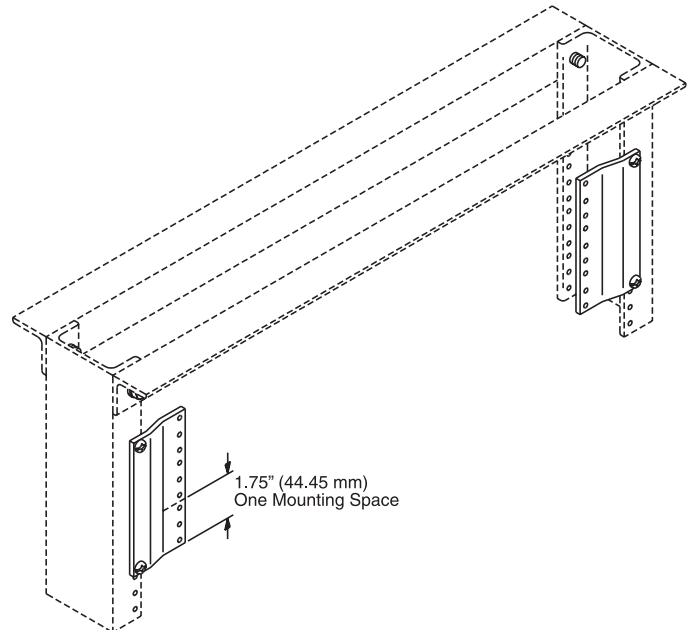


Rack Panel Adapters (Pair)

Allows 19"W equipment to be mounted on a 23"W rack.

- Universal 5/8" - 5/8"-1/2" (15.9 mm - 15.9 mm - 12.7 mm) vertical hole pattern
- Threaded #12-24 mounting holes
- Joggled so that installed panels fit flush
- Available in Gray, Computer Beige, Clear, Black, Glacier White finishes.



ORDERING INFORMATION

Part Number	Description	Shipping Weight lb (kg)
31410-X00	Adapter, Pair, 1U, 1.71" (43.4 mm)	1 (0.5)
31420-X00	Adapter, Pair, 2U, 3.46" (87.9 mm)	1 (0.5)
31430-X00	Adapter, Pair, 3U, 5.21" (132.3 mm)	1 (0.5)
31440-X00	Adapter, Pair, 4U, 6.96" (176.8 mm)	1 (0.5)
31450-X00	Adapter, Pair, 5U, 8.71" (221.2 mm)	1 (0.5)

X=Color: 1=Gray, 2=Computer Beige, 5=Clear, 7=Black, E=Glacier White

For product CSI Specs, visit the Support & Downloads page on www.chatsworth.com.

US & Canada

+1-800-834-4969
 Toronto, Ontario, Canada
 +905-850-7770
chatsworth.com
techsupport@chatsworth.com

Latin America

+52-55-5203-7525
 Toll Free within Mexico
 01-800-01-7592
chatsworth.com.co

Europe

+44-1628-524-834
chatsworth.com

Middle East & Africa

Dubai, UAE
 +971-4-2602125
chatsworth.ae

Asia Pacific

+86 21 6880-0266
chatsworth.com.cn



CHATSWORTH
 PRODUCTS