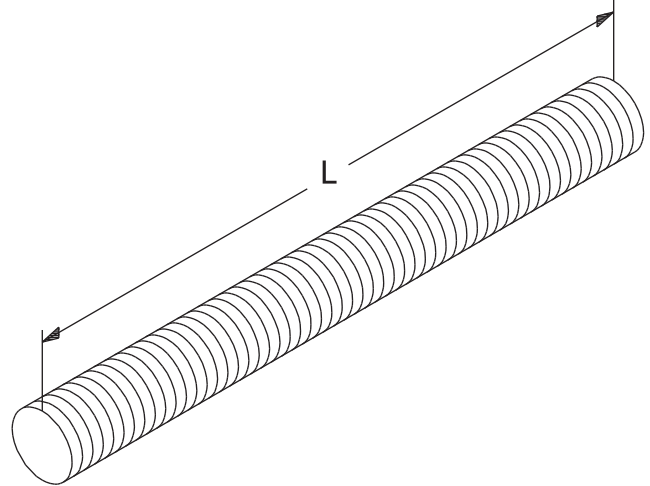


# Product Cut Sheet

## STUD BOLTS

Used with anchors to mount racks to concrete floors.  
Zinc plated.



Part Number	Description	Length	Shipping Weight
20068-304	3/8-16	3-1/2"	1 lb

800-834-4969 in U.S. & Canada • [www.chatsworth.com](http://www.chatsworth.com)

**US & Canada**

+1-800-834-4969  
Toronto, Ontario, Canada  
+905-850-7770  
[chatsworth.com](http://chatsworth.com)

**Latin America**

+52-55-5203-7525  
Toll Free within Mexico  
01-800-01-7592  
[chatsworth.com.co](http://chatsworth.com.co)

**Europe**

+44-1628-524-834  
[chatsworthproducts.co.uk](http://chatsworthproducts.co.uk)

**Middle East & Africa**

Dubai, UAE  
+971-4-2602125  
[chatsworthproducts.co.uk](http://chatsworthproducts.co.uk)

**Asia Pacific**

+86 21 6880-0266  
[chatsworth.com.cn](http://chatsworth.com.cn)

[techsupport@chatsworth.com](mailto:techsupport@chatsworth.com)



CHATSWORTH  
PRODUCTS