



CHATSWORTH  
PRODUCTS

# 12V to 5V Electronic Lock Adapter Kit

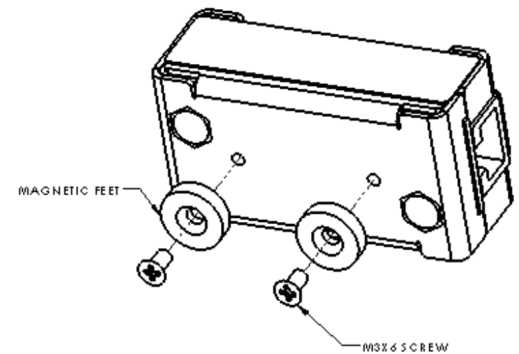
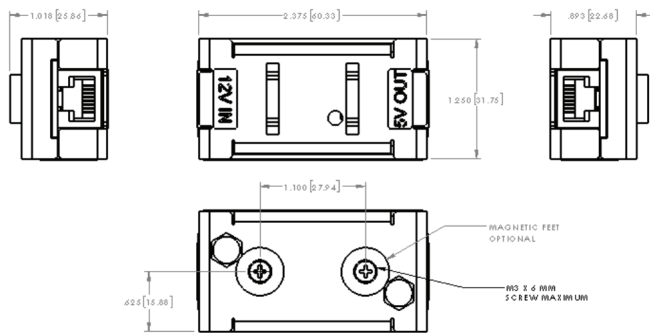
## 12V to 5V Electronic Lock Adapter Kit

The 12V to 5V Electronic Lock Adapter Kit connects an eConnect controller module 4 with a 5V Electronic Lock Set (P/N 36650-001). This accessory is ideal if transitioning from a previous eConnect controller module 3 PDU or older to an eConnect controller module 4 PDU while using 5V Electronic Lock Sets.

### Adapter Kit includes:

- 12V IN to connect eConnect Controller 4
- 5V OUT to connect to Electronic Lock CAN BUS
- 2ft Cat6 RJ45 Ethernet Cable
- Magnetic mounting discs and screws (optional)

### Dimensions:



### ORDERING INFORMATION

Part Number	Description	Shipping Weight lb (kg)
14916-001	12V to 5V Electronic Lock Adapter, Black	2 (0.9)

**United States & Canada**  
Simi Valley, CA  
800-834-4969  
Toronto, Ontario, Canada  
+905-850-7770  
chatsworth.com  
techsupport@chatsworth.com

**Latin America**  
Mexico City, Mexico  
+52-55-5203-7525  
Toll Free within Mexico  
800-201-7592  
chatsworth.com.co

**Europe**  
Buckinghamshire  
England, UK  
+44-1628-524-834

**Middle East & Africa**  
Dubai, UAE  
+971-4-2602125  
Doha, Qatar  
+974-4-267422

**Asia Pacific**  
Jing'an District,  
Shanghai, China  
+86 21 6880-0266  
chatsworth.com.cn