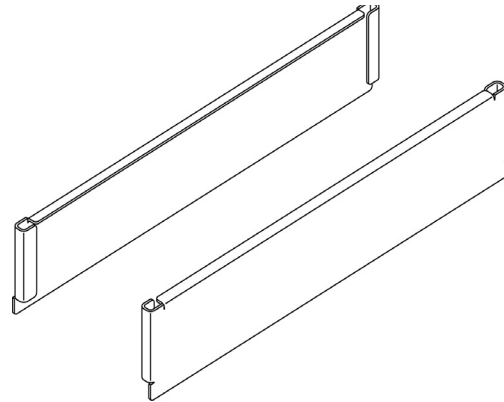


Slip-On Cover, Ring Panel

The Slip-On Cover is used on the Large Horizontal Ring Panel, P/N

11564-XXX. Sold individually.



ORDERING INFORMATION

Part Number	Description in (mm)	Shipping Weight lb (kg)
11764-X19	Panel Cover, 19"W	1 (0.5)
11764-X23	Panel Cover, 23"W	1 (0.5)

X=color: , 1=Gray, 2=Computer Beige, 5=C.eaz, 7=Black, E=Glacier White.

US & Canada

Simi Valley, CA
800-834-4969

Canada

Toronto, Ontario, Canada
+905-850-7770

chatsworth.com • techsupport@chatsworth.com

Europe

Buckinghamshire, UK
+441628 524834

Middle East & Africa

Dubai, UAE
+971-4-2602125

Doha, Qatar
+974-4-267422

Latin America

+52-55-5203-7525
Toll Free within Mexico
800-201-7592
chatsworth.com.co

Asia Pacific

+86 21 6880-0266
chatsworth.com.cn



CHATSWORTH
PRODUCTS