



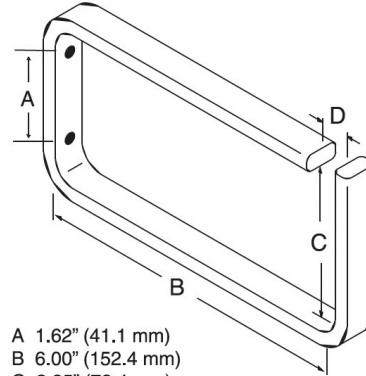
CHATSWORTH
PRODUCTS

Large Horizontal Cable Ring

Large Horizontal Cable Ring

This is the same ring used on our Large Horizontal Ring Panel series 11564. Sold individually and in quantities of 50.

- Provides horizontal cable management on wall
- 2.8"H x 6"W (71 mm x 150 mm) heavy duty aluminum rings
- Rounded edges protect cable sheaths



- A 1.62" (41.1 mm)
- B 6.00" (152.4 mm)
- C 2.85" (72.4 mm)
- D 0.56" (14.2 mm)

ORDERING INFORMATION

Part Number	Description	Shipping Weight lb (kg)
11563-X01	Cable Ring, Each	2 (0.5)
11563-X50	Cable Ring, Each, Box of 50	19 (8.6)

X=color: 1=Gray, 5=Clear, 7=Black, E=Glacier White.

United States & Canada
Simi Valley, CA
800-834-4969
Toronto, Ontario, Canada
+905-850-7770
chatsworth.com
techsupport@chatsworth.com

Latin America
Mexico City, Mexico
+52-55-5203-7525
Toll Free within Mexico
800-201-7592
chatsworth.com.co

Europe
Buckinghamshire
England, UK
+44-1628-524-834

Middle East & Africa
Dubai, UAE
+971-4-2602125
Doha, Qatar
+974-4-267422

Asia Pacific
Jing'an District,
Shanghai, China
+86 21 6880-0266
chatsworth.com.cn