



**CHATSWORTH
PRODUCTS**

TELCO-Style Cable Runway

TELCO-Style Cable Runway

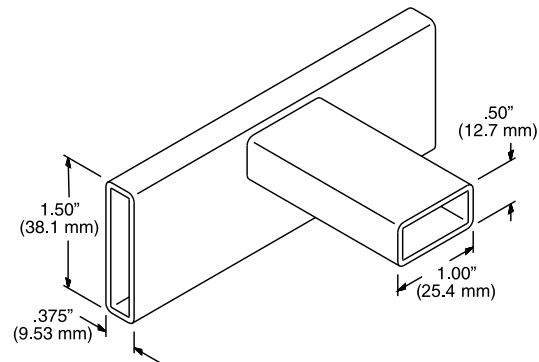
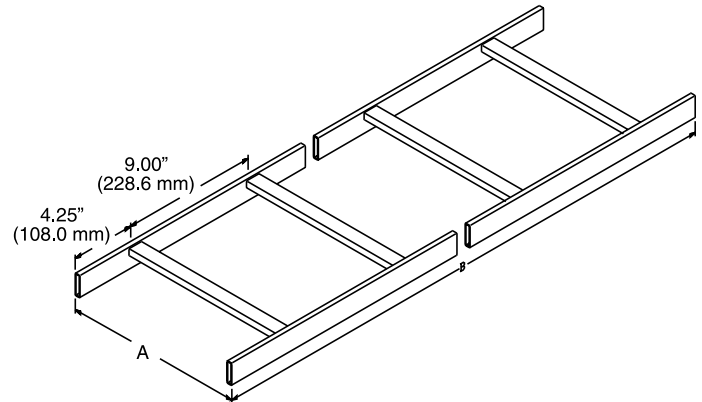
Similar in construction to our UL Classified Cable Runway (11275 Series). The side stringers are 1 1/2" x 3/8" x .065" (38 mm x 9.53 mm x 1.65 mm) and the cross members are 1/2" x 1" x .065" (12.7 mm x 30 mm x 1.65 mm) welded at 9" (230 mm) intervals. With the runway supported every 5' (1.5 m), maximum load with minimal deflection is 132 lb/ft (196 kg/m).

- The overall length is 9' 8-1/2" /116.5" (2959 mm) or 4' 5-1/2" /53.5" (1359 mm) to comply with TELCO-Style standards

- Individually boxed to prevent scratching and damage

- Installation Best Practices includes Runway Elevation Kit

NOTE: CPI 10250, 11252, 11275 and 14300 cable runway systems are listed under UL E138966 and tested to the requirements in the Standard for Safety for Metal Cable Tray Systems, NEMA VE 1-2017 and ANSI/NFPA 70.



ORDERING INFORMATION

Part Number	Width (Dim. A) in (mm)	Length (Dim. B) in (mm)
11252-X06	6 (150)	9' 8-1/2 (2959)
11252-X09	9 (230)	9' 8-1/2 (2959)
11252-X10	10 (250)	9' 8-1/2 (2959)
11252-X12	12 (300)	9' 8-1/2 (2959)
11252-X13	12 (300)	4' 5-1/2 (1359)
11252-X15	15 (380)	9' 8-1/2 (2959)
11252-X18	18 (460)	9' 8-1/2 (2959)
11252-X20	20 (510)	9' 8-1/2 (2959)
10250-X37	36 (910)	38 (1172)

X=Color; 1=Gray, 7=Black, E=Glacier White.

United States & Canada
 Simi Valley, CA
 800-834-4969
 Toronto, Ontario, Canada
 +905-850-7770
 chatsworth.com
 techsupport@chatsworth.com

Latin America
 Mexico City, Mexico
 +52-55-5203-7525
 Toll Free within Mexico
 800-201-7592
 chatsworth.com.co

Europe
 Buckinghamshire
 England, UK
 +44-1628-524-834

Middle East & Africa
 Dubai, UAE
 +971-4-2602125
 Doha, Qatar
 +974-4-267422

Asia Pacific
 Jing'an District,
 Shanghai, China
 +86 21 6880-0266
 chatsworth.com.cn



**CHATSWORTH
PRODUCTS**

Cable Runway Load-Span Table

Maximum load with minimal deflection is 132 lb/ft when the runway is supported every 5'.

Load-Span Table, CPI Cable Runway

Safety Factor	Span (ft)	4	5	6	7	8	9
1.5	Maximum Load (lb/ft)	206	132	92	67	52	41
	Defection (in)	0.41	0.64	0.92	1.25	1.62	2.03
2.0	Maximum Load (lb/ft)	154	99	69	50	39	31
	Defection (in)	0.31	0.48	0.68	0.93	1.21	1.531
	K factor	0.002	0.005	0.010	0.019	0.032	0.050

CPI recommends supporting cable runway runs every 5 feet.

To calculate deflection for loads lighter than maximum loads listed in table, multiply load for which deflection is desired by K factor listed in table for cable runway support span utilized.

Example: To calculate maximum deflection using a safety factor of 1.5 for a length of cable runway supported every 5' and loaded with 80 pounds per foot:

$$\text{Defection} = (80) (0.005) = 0.40''$$

NOTE: CPI 10250, 11252, 11275 and 14300 cable runway systems are listed under UL E138966 and tested to the requirements in the Standard for Safety for Metal Cable Tray Systems, NEMA VE 1-2017 and ANSI/NFPA 70.

United States & Canada
 Simi Valley, CA
 800-834-4969
 Toronto, Ontario, Canada
 +905-850-7770
 chatsworth.com
 techsupport@chatsworth.com

Latin America
 Mexico City, Mexico
 +52-55-5203-7525
 Toll Free within Mexico
 800-201-7592
 chatsworth.com.co

Europe
 Buckinghamshire
 England, UK
 +44-1628-524-834

Middle East & Africa
 Dubai, UAE
 +971-4-2602125
 Doha, Qatar
 +974-4-267422

Asia Pacific
 Jing'an District,
 Shanghai, China
 +86 21 6880-0266
 chatsworth.com.cn