

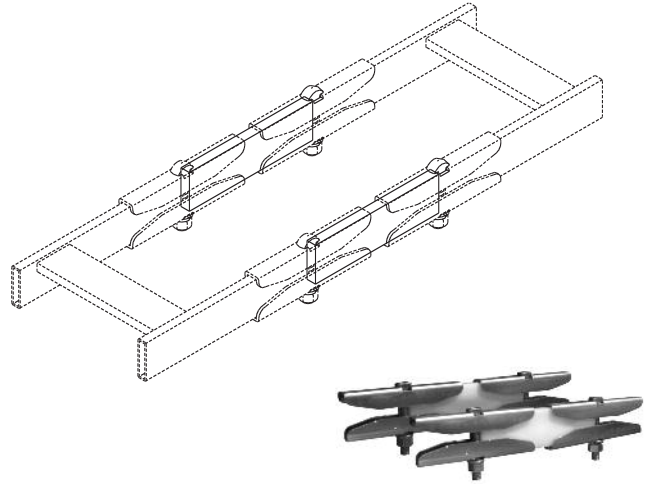
# Product Cut Sheet

## CABLE RUNWAY INSULATOR BAR KIT

Electrically isolates Cable Runway sections, isolating grounded sections of runway or where strong EMI/RFI fields could generate eddy-currents, which could disturb down-line equipment. Made of durable, non-conductive Delrin®

**Kit consists of:**

- (2) insulator bars, 1.5"H x 3/8"W x 5.5"L  
(38 mm x 9.53 mm x 140 mm)
- (2) butt-splice kits (P/N/ 11301-001)



Part Number	Description	Shipping Weight lb (kg)
10842-001	Insulator Bar Kit, 1 Kit	2 (0.9)
10842-010	Insulator Bar Kit, 10 Kits	24 (10.9)

800-834-4969 in U.S. & Canada • [www.chatsworth.com](http://www.chatsworth.com)



CHATSWORTH PRODUCTS, INC.

©2012 Chatsworth Products, Inc. All rights reserved. CPI, CPI Passive Cooling, MegaFrame, Saf-T-Grip, Seismic Frame, SlimFrame, TeraFrame, GlobalFrame, Cube-IT Plus, Evolution, OnTrac, QuadraRack and Velocity are federally registered trademarks of Chatsworth Products, Inc. eConnect and Simply Efficient are trademarks of Chatsworth Products, Inc. All other trademarks belong to their respective companies. 08/12