



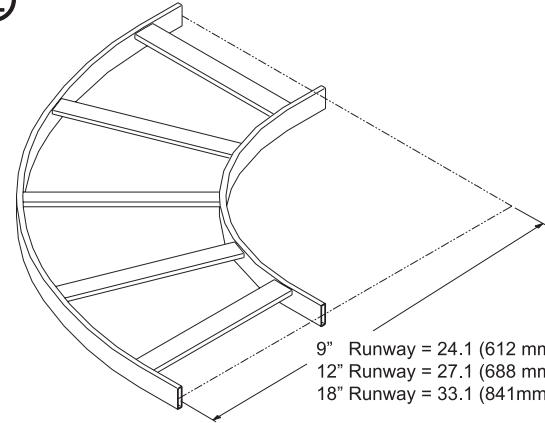
CHATSWORTH  
PRODUCTS

# Cable Runway E-Bend

## Cable Runway E-Bend

Creates a 90° gradual sweep in horizontal plane for Cable Runway runs. Designed for cabling in conformance with minimum bend radii requirements (typically 4 times the cable diameter). Made of lightweight 1-1/2" x 3/8" (38.1 mm x 9.53 mm) tubular steel to fit standard Cable Runway. Cross members welded at approximately 23° increments.

- Conforms to cable bend radii requirements
- Easy installation using CPI Butt-Splices (P/N 11301-001, not included)



## ORDERING INFORMATION

Part Number	Cable Runway Width in (mm)	Width (Dim. A) in (mm)
10822-X06	6 (150)	21.1 (536)
10822-X09	9 (230)	24.1 (612)
10822-X10	10 (250)	25.1 (638)
10822-X12	12 (300)	27.1 (688)
10822-X15	15 (380)	30.1 (765)
10822-X18	18 (460)	33.1 (841)
10822-X20	20 (510)	35.1 (892)
10822-X24	24 (610)	39.1 (993)
10822-X31	30 (760)	45.1 (1146)
10822-X37	36 (910)	51.1 (1298)

X=Color; 0=Gold, 1=Gray, 7=Black, E=Glacier White. Only gold E-Bends are UL Classified.

**United States & Canada**  
 Simi Valley, CA  
 800-834-4969  
 Toronto, Ontario, Canada  
 +905-850-7770  
 chatsworth.com  
 techsupport@chatsworth.com

**Latin America**  
 Mexico City, Mexico  
 +52-55-5203-7525  
 Toll Free within Mexico  
 800-201-7592  
 chatsworth.com.co

**Europe**  
 Buckinghamshire  
 England, UK  
 +44-1628-524-834

**Middle East & Africa**  
 Dubai, UAE  
 +971-4-2602125  
 Doha, Qatar  
 +974-4-267422

**Asia Pacific**  
 Jing'an District,  
 Shanghai, China  
 +86 21 6880-0266  
 chatsworth.com.cn