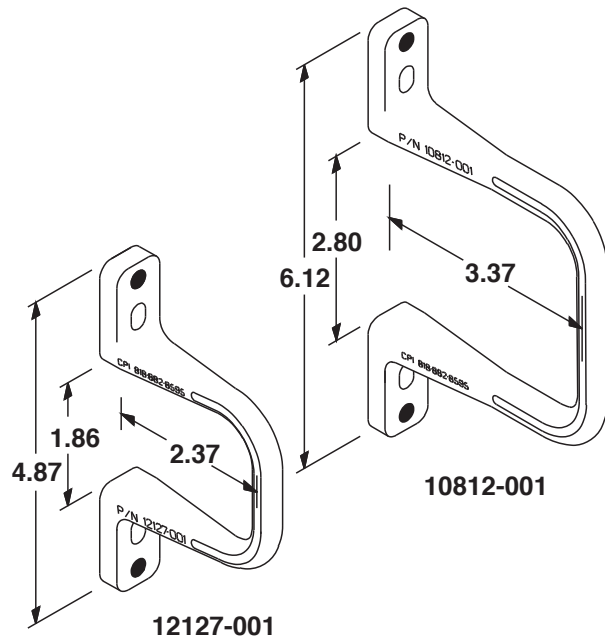
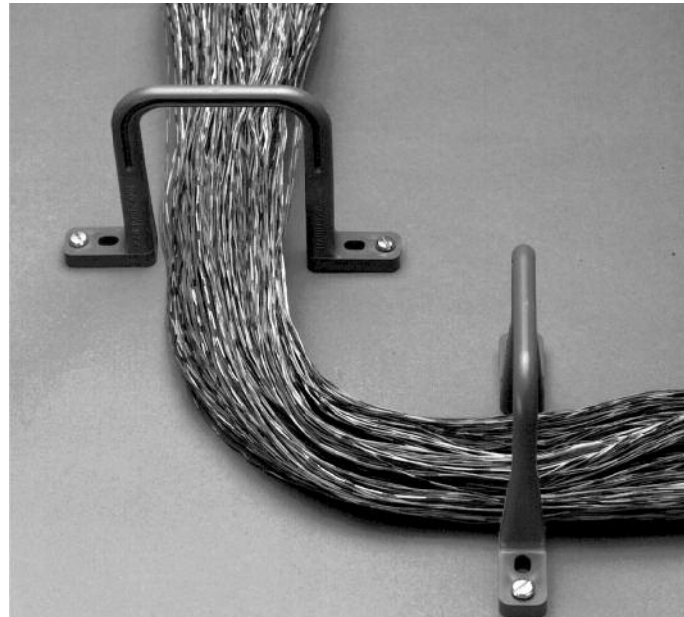


Product Cut Sheet

CLOSED COMPOSITE DISTRIBUTION RINGS

With CPI Distribution Rings all your wiring and cabling can now be neatly and easily organized and managed. Designed to support cable and wire in communication closets, on backboards, equipment racks, or wherever cable runs are required. The versatile brackets are made of high-strength, fire-retardant composite material. Rounded edges prevent damage to cable and wire insulation while providing easy pull-through. Mounting hole configuration allows brackets to be attached to most surfaces including our equipment racks. Color is compatible with most equipment. Mounting hardware not included.

- Strong, lightweight, fire-retardant composite material construction
- Easy to install onto CPI equipment racks or backboards
- Rounded shape eliminates cable nicks, great for wire pulling
- Color: Gray Finish
- Sold individually and in quantities of 100



Part Number	Description	Shipping Weight
12127-001	2" W Closed "D" ring	1 lb
12127-011	Carton of 100	6 lb
10812-001	3" W Closed "D" ring	1 lb
10812-011	Carton of 100	9 lb

800-834-4969 in U.S. & Canada • www.chatsworth.com



CHATSWORTH PRODUCTS, INC.

©2010 Chatsworth Products, Inc. All rights reserved. CPI, CPI Passive Cooling, MegaFrame, Saf-T-Grip, Seismic Frame, SlimFrame, TeraFrame, Cube-iT Plus, Evolution, OnTrac, and QuadraRack are federally registered trademarks of Chatsworth Products, Inc. GlobalFrame, Simply Efficient and Velocity are trademarks of Chatsworth Products, Inc. All other trademarks belong to their respective companies. 12/10