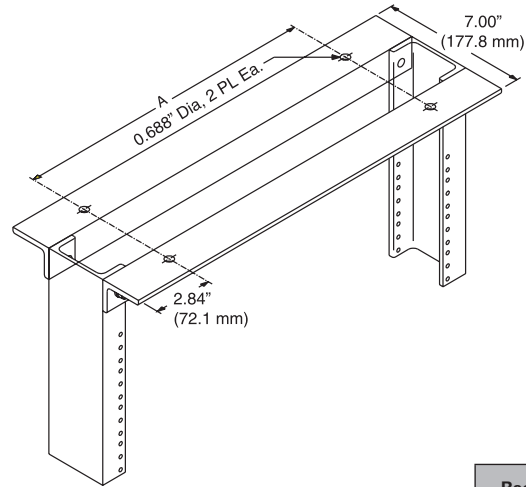




**CHATSWORTH
PRODUCTS**

Heavy-Duty Top Angle



Heavy-Duty Top Angle

Optional top angle for CPI Universal, Standard or 6\"/>

- Material is aluminum extrusion, 1 1/2\"/>
- Recommended to be used in pairs with 10562-001 bracing
- Sold individually

Rack Width	A in (mm)
19"	14.57 (370.1)
23"	18.57 (471.1)

ORDERING INFORMATION

Part Number	Description	Shipping Weight lb (kg)
10473-X01	Heavy-Duty Top Angle, 19\"/>	3 (1.4)
10473-X02	Heavy-Duty Top Angle, 23\"/>	3 (1.4)

X=color: 1=Gray,5=Clear, 7=Black, E=Glacier White

United States & Canada
 Simi Valley, CA
 800-834-4969
 Toronto, Ontario, Canada
 +905-850-7770
 chatsworth.com
 techsupport@chatsworth.com

Latin America
 Mexico City, Mexico
 +52-55-5203-7525
 Toll Free within Mexico
 800-201-7592
 chatsworth.com.co

Europe
 Buckinghamshire
 England, UK
 +44-1628-524-834

Middle East & Africa
 Dubai, UAE
 +971-4-2602125
 Doha, Qatar
 +974-4-267422

Asia Pacific
 Jing'an District,
 Shanghai, China
 +86 21 6880-0266
 chatsworth.com.cn