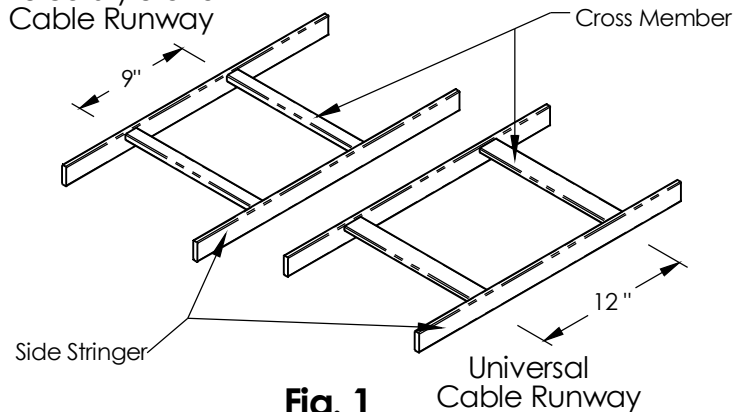


Telco-Style or UL
Cable Runway**Fig. 1****Safety Precautions**

1. Special precautions should be taken to install the Patch Rack in such a way that it will not be a safety hazard. Failure to do so may result in physical injury.
2. Ensure that the Cable Runway is installed in accordance with the installation instructions. The Cable Runway should always be properly secured to the wall or ceiling using appropriate anchoring fasteners and installation methods. The Cable Runway should support not only cables, but also the full weight load of all the equipment you plan to mount onto Patch Rack.

Parts Included

- A 1 ea PatchRack (4U high or 8U high)
- B 2 ea Stringer Brackets (13395- Only)
- C 2 ea or 4 ea 3/8 Washer
- D 2 ea Clamps
- E 6 ea 5/16-18x 5/8 Bolts (4 or 6ea required)
- F 6 ea 5/16 Nuts (4 or 6ea required)
- G 4 ea 5/16-18X1 Bolts
- H 25ea #12-24 rack screws

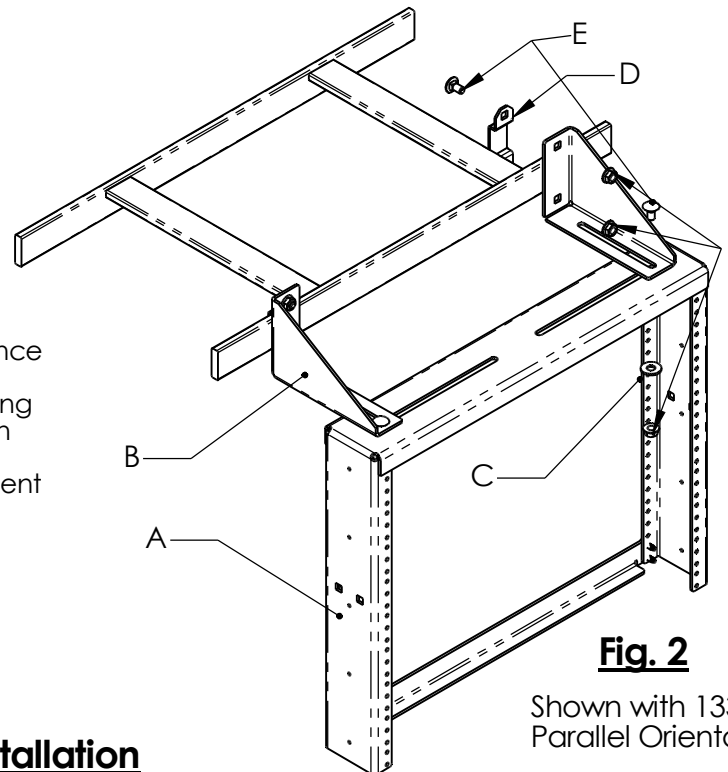
* Keep extra hardware for future use.

Tools Required

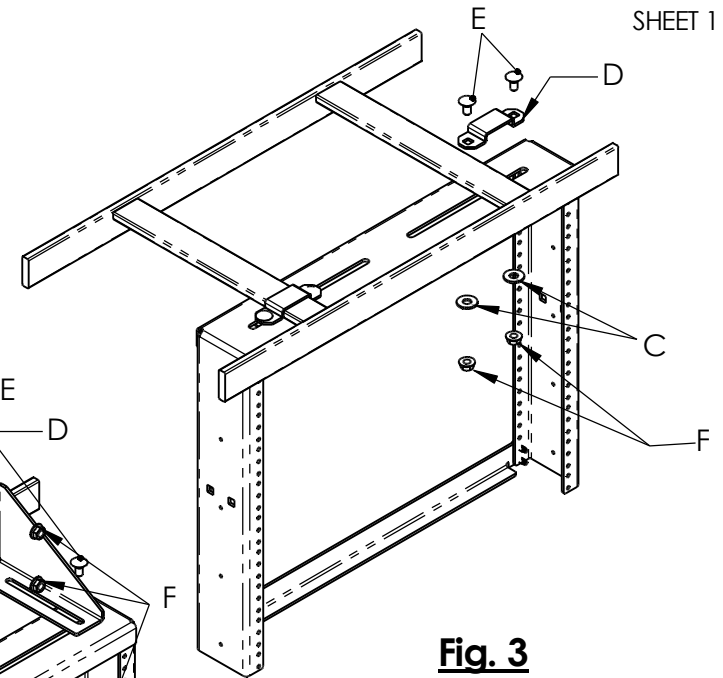
- 1/2" Open/Box End Wrench
- #2 Phillips screwdriver

Installation

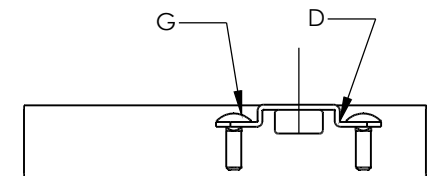
1. This installation instruction is for:
P/N 13395-XXX (Figure 2 above & Figures 8, 9 on reverse)
P/N 13394-XXX (Figure 3 above & Figure 7 on reverse)
2. Install runway brackets with the hardware listed under Parts Included at left as indicated by the letters in the Figures above. Note that clamp (D) is designed for 3/8" x 1-1/2" steel tubing. When attaching the rack as shown Figure 3 to a Telco-style cable runway (see Fig 1.), center the bracket (D) on the 1" x 1/2" cross member as shown in Figure 4 and substitute bolt (G) for bolt (E).
3. Punch down patch panels prior to attaching them to the rack or prior to attaching the rack to the cable runway.
4. See reverse for alternate configurations. Refer to Figures 2 and 3 for hardware selection.

**Fig. 2**

Shown with 13395-X08
Parallel Orientation

**Fig. 3**

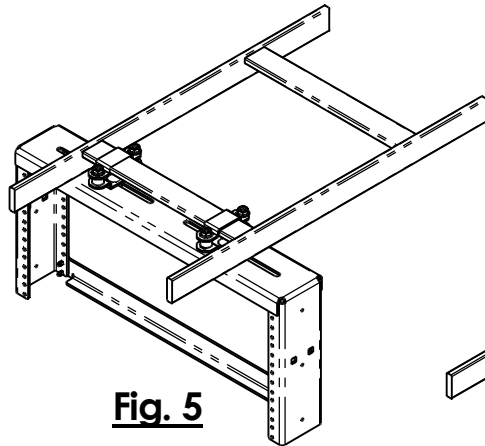
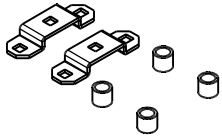
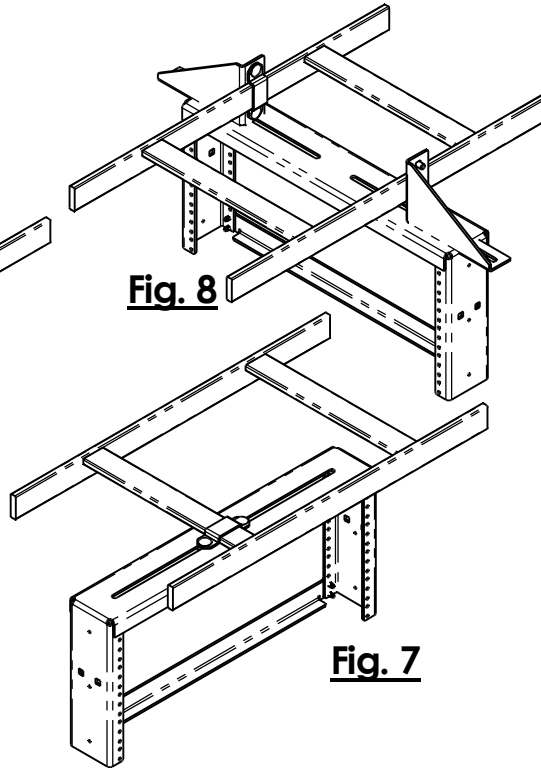
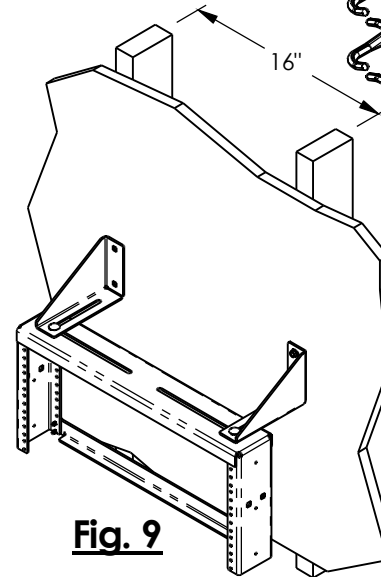
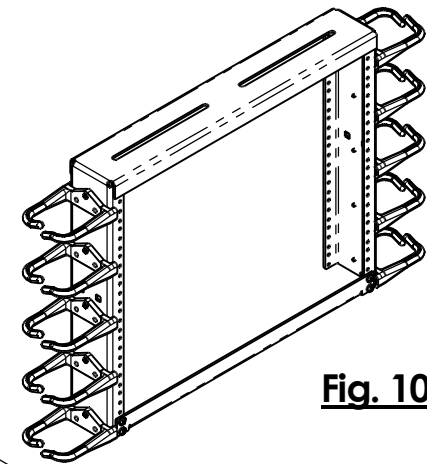
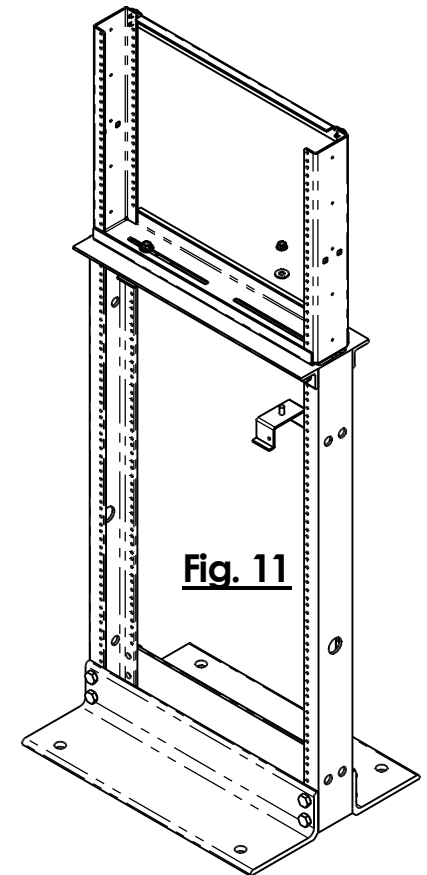
Shown with 13394-X08
Parallel Orientation

**Fig. 4**

800-834-4969 techsupport@chatsworth.com www.chatsworth.com

INSTALLATION INSTRUCTIONS, PATCH RACK

THIS DRAWING CONTAINS INFORMATION PROPRIETARY TO CHATSWORTH PRODUCTS, INC. ANY REPRODUCTION DISCLOSURE OR USE OF THIS DRAWING IS EXPRESSLY FORBIDDEN EXCEPT AS AGREED TO IN WRITING BY CHATSWORTH PRODUCTS, INC.

**Fig. 5****Fig. 6****Fig. 8****Fig. 7****Fig. 9****Fig. 10****Fig. 11****Notes:**

- Figure 5 P/N 13399-702 Hardware Kit used with Patch Rack 13394-XXX (Fig. 3 on reverse) to install rack perpendicular to cable runway.
- Figure 6 P/N 13399-702 Hardware Kit (shown installed in Figure 5)
- Figure 7 Alternate configuration for Patch Rack P/N 13394-XXX (Fig. 3 on reverse). Substitute bolt (G) for bolt (E) when installed on Telco-style runway (see Fig. 1 & Fig. 4 on reverse). Not recommended for full load applications.
- Figure 8 Alternate configuration for Patch Rack P/N 13395-XXX (Fig. 2 on reverse). This method will not work on cable runway wider than 12" or on runway that is supported against a wall. Use Hardware Kit P/N 13399-702 (see Fig. 5) for wider runway or when runway is against the wall.
- Figure 9 Alternate configuration for Patch Rack P/N 13395-XXX (Fig. 2 on reverse). Wall installation hardware is not included.
- Figure 10 Accessory D-Ring Kit P/N 13396-208 shown installed on a Patch Rack.
- Figure 11 Patch Rack attached to the top of a 3" deep 2-post rack. Contact CPI Technical Support for details (800-834-4969).