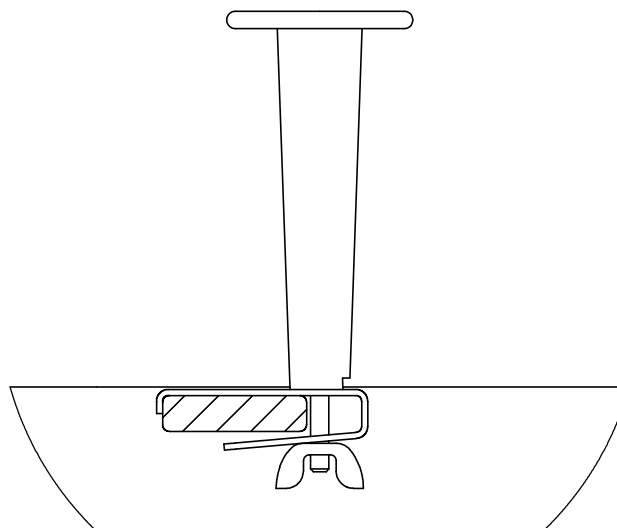
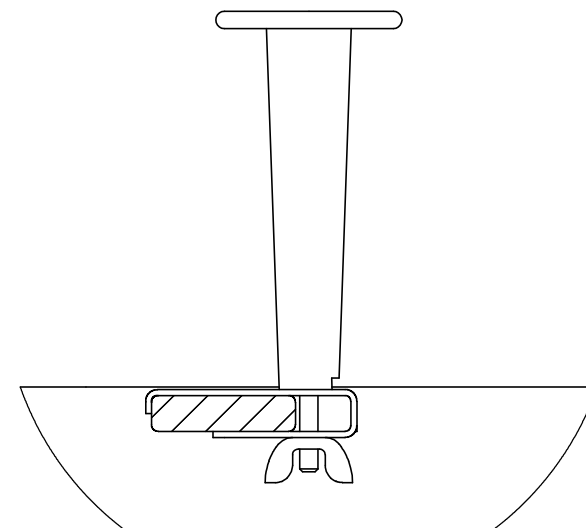


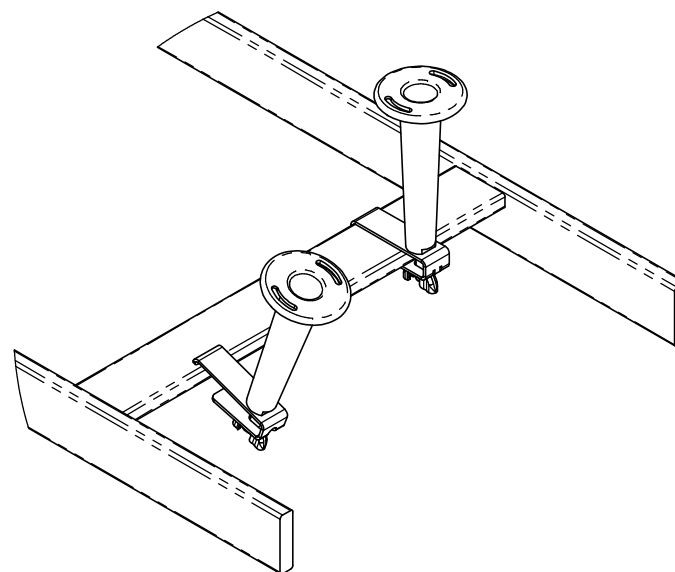
View 1



View 2



View 3



## INSTALLATION

1. Hook the mounting bracket over the runway crossbar as shown in views 1 and 2.
2. Tighten the wing nut until the bracket clamps firmly onto the crossbar, see view 3.

 CHATSWORTH PRODUCTS, INC.

800-834-4969 techsupport@chatsworth.com www.chatsworth.com

## INSTALLATION INSTRUCTIONS, SINGLE CABLE RUNWAY PATHWAY DIVIDER

THIS DRAWING CONTAINS INFORMATION PROPRIETARY TO CHATSWORTH PRODUCTS, INC. ANY REPRODUCTION DISCLOSURE OR USE OF THIS DRAWING IS EXPRESSLY FORBIDDEN EXCEPT AS AGREED TO IN WRITING BY CHATSWORTH PRODUCTS, INC.