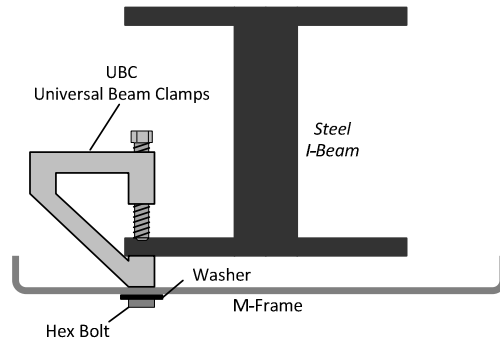
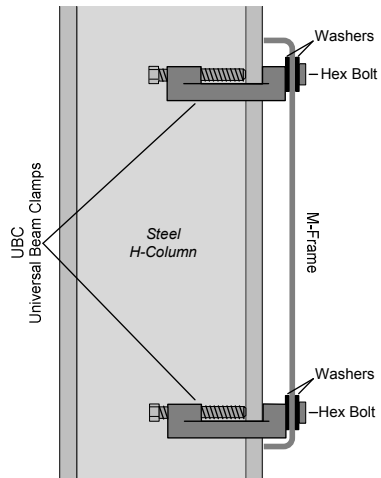
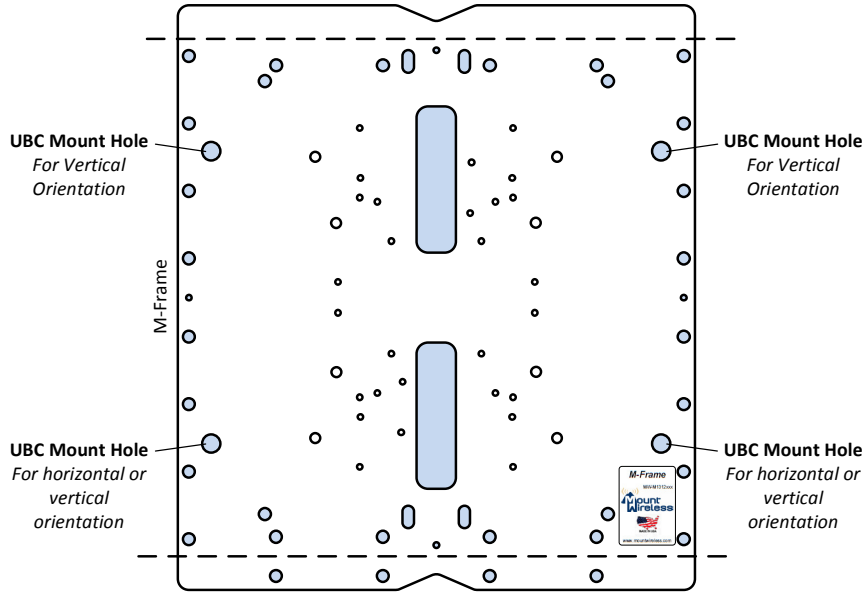


# 39-1312-UBC

## Universal Beam Clamp Mounting Option

Universal Beam Clamps for mounting the M-Frame platform to the structural steel beams, columns, joist and purlins

Patent Pending



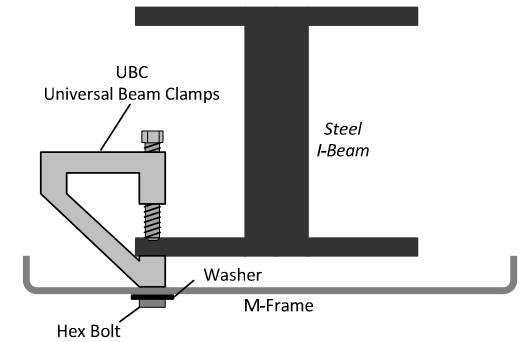
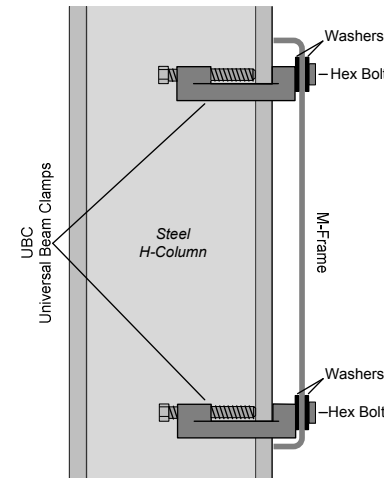
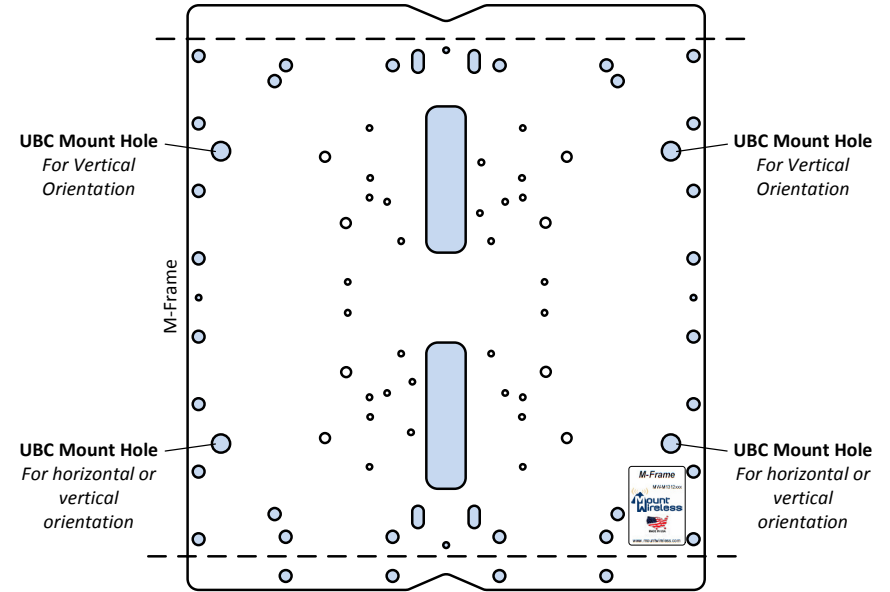
- Includes:
- (2) Beam Clamps (Attached)
  - (2) 3/8 x 1 Hex Bolts
  - (2) 3/8 Flat Washers

# 39-1312-UBC

## Universal Beam Clamp Mounting Option

Universal Beam Clamps for mounting the M-Frame platform to the structural steel beams, columns, joist and purlins

Patent Pending



- Includes:
- (2) Beam Clamps (Attached)
  - (2) 3/8 x 1 Hex Bolts
  - (2) 3/8 Flat Washers



Oberon, Inc  
State College, PA  
814-867-2312  
[www.oberoninc.com](http://www.oberoninc.com)



Oberon, Inc  
State College, PA  
814-867-2312  
[www.oberoninc.com](http://www.oberoninc.com)

