

# ELEVATE™ Adjustable Containment Solution

## User Manual

Version 1.0  
April 2024



CHATSWORTH  
PRODUCTS

[techsupport@chatsworth.com](mailto:techsupport@chatsworth.com)  
[www.chatsworth.com](http://www.chatsworth.com)

While every effort has been made to ensure the accuracy of all information, CPI does not accept liability for any errors or omissions and reserves the right to change information and descriptions of listed services or products.

©2024 Chatsworth Products, Inc. All rights reserved. Chatsworth Products, Klik-Nut, CPI, CPI Passive Cooling, CUBE-iT, Secure Array, eConnect, Evolution, GlobalFrame, MegaFrame, QuadraRack, RMR, Saf-T-Grip, SeismicFrame, SlimFrame, TeraFrame, Motive, EuroFrame, Velocity and ZetaFrame are Federally registered trademarks of Chatsworth Products. H-Plane, Hi-Bar, In-Plane, M-Frame, NetPoint, Oberon, Simply Efficient, Skybar and Wi-Tile are trademarks of Chatsworth Products. All other trademarks belong to their respective companies. 04/24. MKT-CPI-807

## Table of Contents

<b>INTRODUCTION</b> .....	3
Legal Information.....	3
Warranty .....	3
<b>SAFETY INFORMATION</b> .....	4
INTENDED USE.....	4
STORAGE OF COMPONENTS.....	4
TOOLS REQUIRED FOR ASSEMBLY AND INSTALLATION.....	5
SITE PREPARATION .....	5
<b>UNPACKING</b> .....	6
<b>aisle Containment Door System</b> .....	7
INTRODUCTION.....	7
COMPONENTS.....	7
INSTALLATION.....	8
FLOOR PREPARATION .....	8
FLOOR MOUNTING ANGLE INSTALLATION .....	11
DOOR FRAME ASSEMBLY.....	12
DOOR FRAME INSTALLATION .....	17
DOOR INSTALLATION .....	23
<b>ADJUSTABLE CONTAINMENT SOLUTION FOR HOT AISLE CONTAINMENT</b> .....	26
<b>ADJUSTABLE CONTAINMENT SOLUTION FOR ROW LEVEL VERTICAL EXHAUST DUCT</b> .....	38
<b>aisle Containment Floor Seal Kits</b> .....	44
INTRODUCTION.....	44
FOR ZETAFRAME CABINETS.....	44
<b>ACCESSORIES</b> .....	46

## INTRODUCTION

This document is the User's Manual for CPI Elevate™ Adjustable Aisle Containment Solution. It includes basic assembly and installation instructions for the ACS, Aisle Containment Door Assembly; and Cabinet to Floor Sealing Kits, which are used together to create an Aisle Containment Solution.

### **Adjustable Aisle Containment Solution User's Manual**

©2024 Chatsworth Products, Inc. All rights reserved.

### **Legal Information**

The information contained in this guide is subject to change without notice.

Chatsworth Products, Inc. (CPI) shall not be liable for technical or editorial errors or omissions contained herein; nor is it liable for any injury, loss, or incidental or consequential damages resulting from the furnishing, performance, or use of this material and equipment.

### **Warranty**

Chatsworth Products, Inc. (CPI) guarantees manufactured products and each part or component thereof against all defects in material and/or workmanship. CPI agrees to remedy any manufacturing defect either through replacement or repair at no charge provided that the defective unit is returned, transportation prepaid, to the CPI factory.

The warranty extends for a period of one year from the date of installation or initial use, provided that this period shall not exceed 18 months from the original date of shipment from the factory.

Any product that has been repaired or replaced shall be similarly warranted on its repair or replacement for the remaining product warranty period or 90 days from the date of repair or replacement, whichever expires last.

This warranty does not extend to products that have been subjected to neglect, accident, or improper use, nor to units that have been altered by non-CPI personnel.

No warranties other than those set forth in this section are given or implied with respect to the products furnished. CPI shall, in no event, be liable for consequential damages, for loss, damage or expense directly or indirectly arising from the use of the products, for any inability to use materials or from any other cause.

## SAFETY INFORMATION



**WARNING:** Improper use of this product may lead to serious injury or death. Read and understand all instructions for proper installation and use of this product.



**WARNING:** Installation of aisle containment products may require the use of ladders, scaffolds, and other climbing tools. Follow all climbing device procedures and observe all safety and warning precautions.



**WARNING:** The aisle containment products are heavy and large. This requires that at least two personnel be used for assembly and installation. Obtain adequate assistance or hire professional equipment riggers.



**WARNING:** Depending on the configurations of the deployed system, the static weight of the duct can result in heavy loads. Consult with the local building engineer to verify that floor and/or ceiling loading prior to assembling and installing the structure. Failure to provide adequate support and anchoring for the frame could result in severe injury or death.



**WARNING:** Failure to properly support structural members during assembly could result in severe injury or death.



**WARNING:** The aisle containment system is designed to support the weight of the duct but is not designed for significant additional loading. Do not climb on or support heavy items such as cable runways from the containment structure as doing such could result in severe injury or death.

## INTENDED USE

The Adjustable Aisle Containment Solution should only be used in a restricted service environment, such as a data center. Use indoors only, in environmentally controlled areas; do not use outdoors or in harsh environments. Not for use in plenums. Use this solution for computer server, storage, and network equipment. Allow only qualified service personnel to use this solution.

## STORAGE OF COMPONENTS

All system components should be stored indoors only in environmentally controlled areas. Do not store outdoors. Do not expose to harsh or humid areas.

## TOOLS REQUIRED FOR ASSEMBLY AND INSTALLATION

The following tools are required to assemble the Adjustable Aisle Containment Solution and Aisle Containment Doors. Additional tools may be required depending on site-specific requirements.

Tool	Application
Utility Knife or Flute Cutter	For cutting poly panels/bulb seal
#2 Phillips screwdriver or bit for drill/driver	Assembly, BTS Kit
#3 Phillips screwdriver or bit for drill/driver	Assembly, Door
8 mm socket and open-end wrench	Assembly, Door
10 mm socket and open-end wrench	Assembly, Door
13 mm socket and open-end wrench	Assembly, Door
Ladders	Installation
Levels	Installation
Drill, bits	Installation

*\*For best results when cutting corrugated plastic sheet use specialized cutting tools, like the Guardian Knife Guide by Saw Trax Mfg. Inc.*

## SITE PREPARATION

### Floor

In an access floor installation, ensure that the floor is strong enough to support the fully populated computer cabinets, and the additional weight of the Adjustable Containment Solution and Aisle Containment Door Systems. If required, add subfloor bracing to provide the proper support for equipment.



Subfloor bracing.

## UNPACKING

The containment system components are packaged in separate crates. Inspect the components for damage as they are unpacked. If any damage is observed, contact your distributor or CPI Customer Service.



**CAUTION:** Aisle containment components are heavy. Use a minimum of two (2) people to unpack and remove components from the pallet.

1. Components are packaged in protective crates. The upper crate will need to be removed to access the components. Carefully remove the mounting screws from the steel plates that tie the upper and lower crate. The upper crate will need to be lifted and set aside.



**CAUTION:** The upper crate is heavy. Use a minimum of two (2) people to remove.

2. Individual component pieces will be individually wrapped with foam. The foam should be used to provide protection when the components are staged on the floor prior to assembly. Use a utility knife to cut any tape. Be careful not to allow the knife to contact the components as this causes damage.



**RECYCLABLE MATERIALS:** CPI uses only recyclable materials in all its containment packaging. Please save packaging for later use or dispose of properly. All wood components of CPI pallets have been properly treated to comply with the pest-free certifications required by foreign countries.

3. After all of the components have been unpacked, locate the hardware kit and inspect the product for concealed damage. If any damage to the aisle containment solution is observed, contact your distributor or CPI Customer Service.

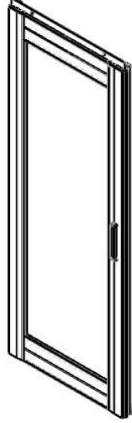
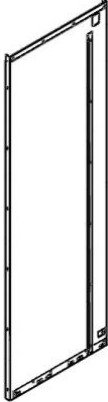

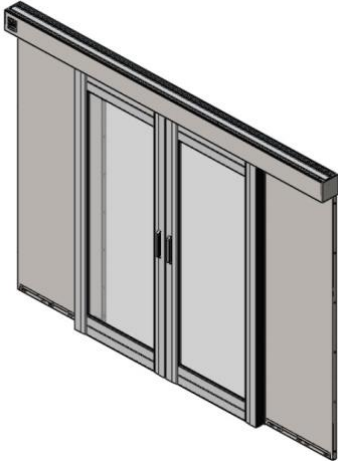
## AISLE CONTAINMENT DOOR SYSTEM

### INTRODUCTION

The Aisle Containment Door Systems from Chatsworth Products, Inc. (CPI) have been developed to meet a wide range of application needs. The door systems can be installed in aisle widths that are between two and three tiles wide. The door systems are designed to be compatible with ZetaFrame®, F-Series TeraFrame® and GF-Series GlobalFrame® cabinets that are between 42U minimum and 52U maximum height (77.8” – 98.9”). Door systems are available in three sliding options including: double-door, single-door left-hand sliding and single-door right-hand sliding. Four finish options are available including black and glacier white colors with either anodized aluminum door frames or color-matched door frames. The system can be installed onto slab floors or raised access floors. All systems include a stylish anodized aluminum door frame with full-height, clear polycarbonate inserts, an automatic close system with speed control damper, and a detent-open catch.

### COMPONENTS

The doors ship unassembled in a single crate with assembly and installation hardware:

	
<p><b>Door(s) - 1 or 2 pieces</b></p>	<p><b>Sides - 2 pieces</b></p>
	
<p><b>Rail Assembly - 1 piece</b></p>	<p><b>Assembled Double Door</b></p>

## INSTALLATION

The Aisle Containment Door is bolted to the floor and supported to the top of ZetaFrame, TeraFrame or GlobalFrame cabinets.

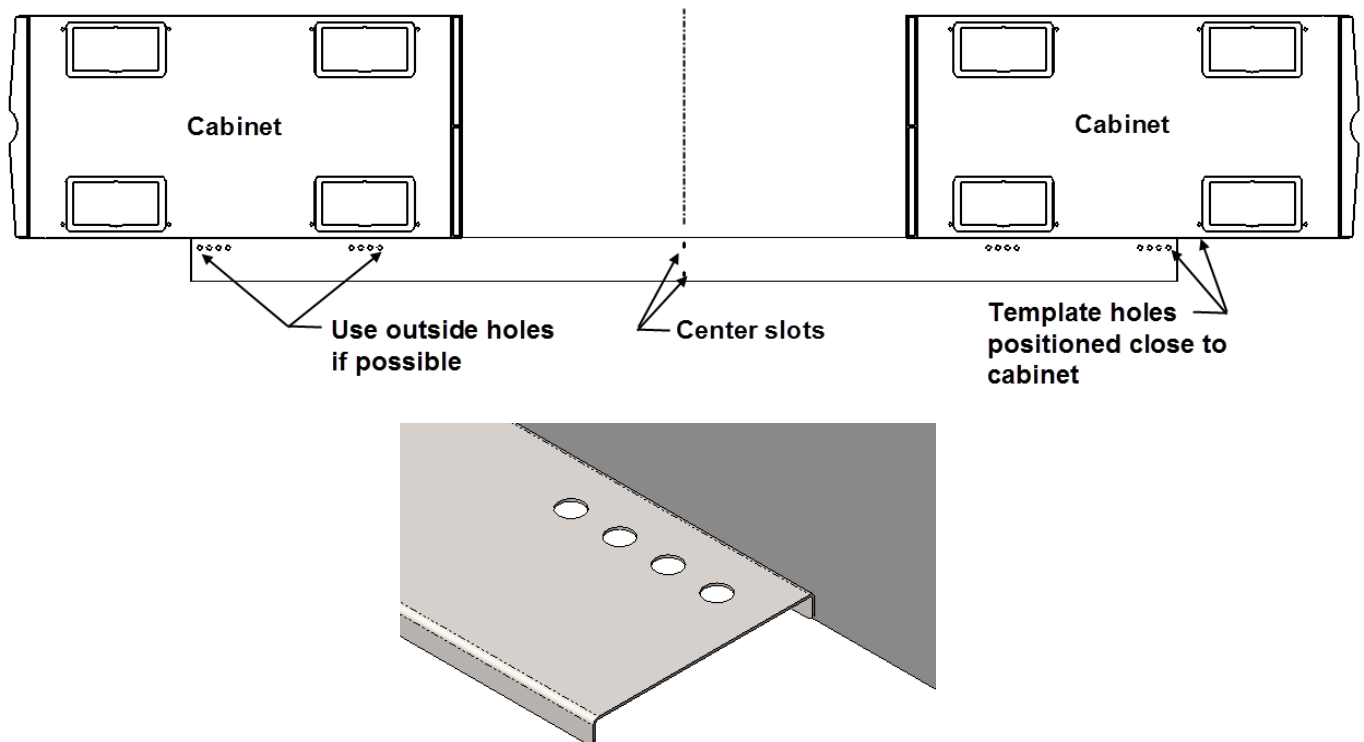
### FLOOR PREPARATION

#### SLAB FLOOR

Install four concrete anchors, two for each side panel, using the floor drilling template to accurately locate the holes. The template is not included with the door; it must be ordered separately, 32875-701 for the double door or 32875-702 for the single door.

#### DOUBLE DOOR

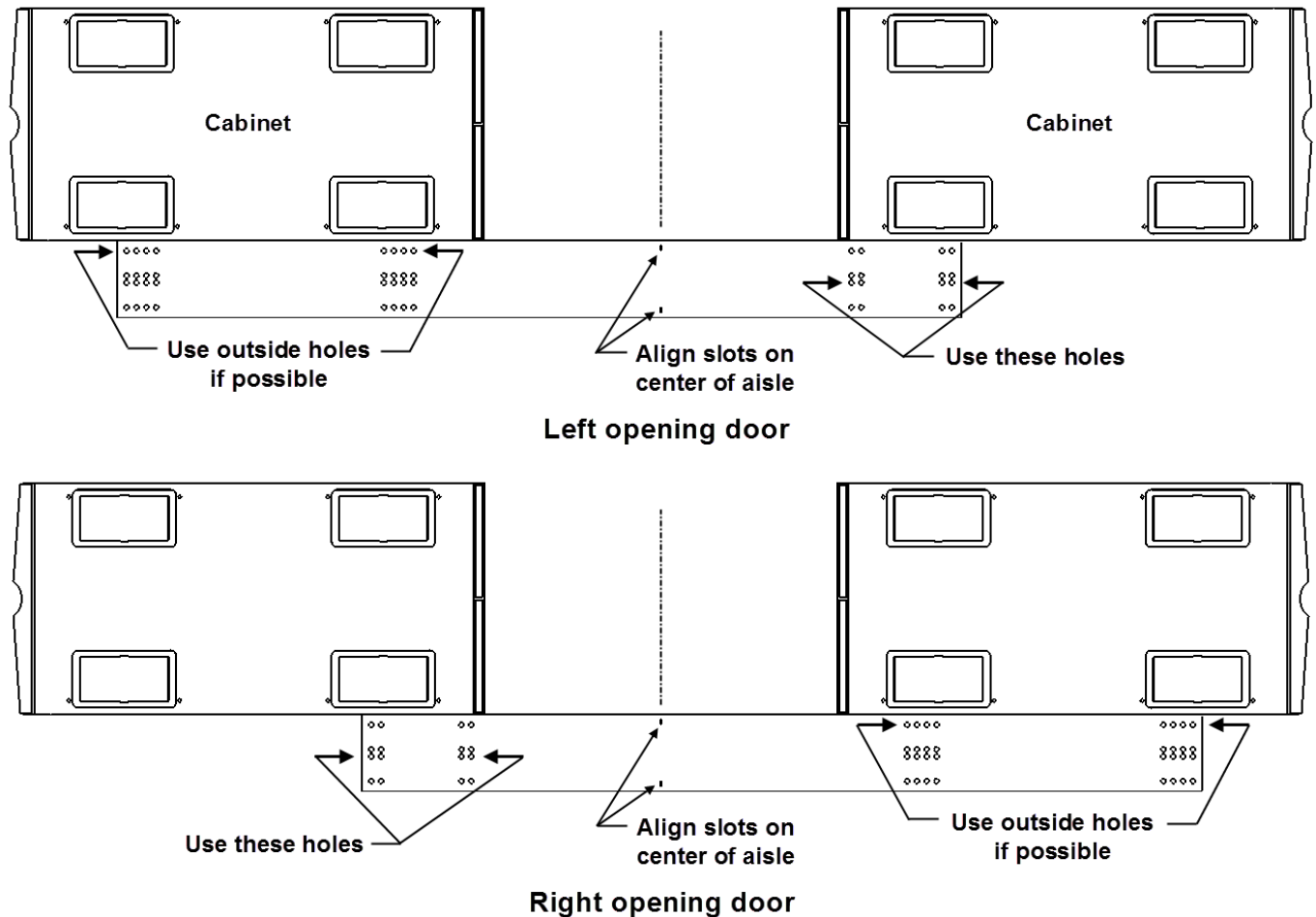
For the double door, position the template (PN 32875-701) with the flanges down and the holes close to the cabinet. The side flange should butt against the cabinet side and the template should be centered on the aisle; the slots at the center of the template can be used as a guide. Drill four holes, two at each end, through the template; the template holes are 1/2" diameter which should be the correct size for 3/8" concrete anchors (not included). If possible, use the outside set of holes as shown in the picture below; the other holes can be used if there is an obstruction in the concrete.





## SINGLE DOOR

For the single door, position the template (PN 32875-702) with the flanges down and oriented for left or right door opening as shown in the pictures shown below; the first picture shows a left opening door and the second shows a right opening door. The side flange should butt against the cabinet side and the template slots should be centered on the aisle. Drill four holes, two at each end, through the template; the template holes are 1/2" diameter which should be the correct size for 3/8" concrete anchors (not included). If possible, use the outside set of holes as shown in the picture below; the other holes can be used if there is an obstruction in the concrete.



## ACCESS FLOOR

For access floor installations, a door standoff kit (PN 32870-X01 for the double door or PN 32870-X02 for the single right door) is required. The standoff moves the door assembly away from the cabinet by 2.5" so that there is enough clearance for the floor mounting hardware.

In an access floor installation, ensure that the floor is strong enough to support the weight of the door (320 lbs. for the double door and 280 lbs. for the single door).

Drill four clearance holes (two for each side panel) for 3/8" bolts or threaded rod into the floor tile using the floor drilling template to accurately locate the holes. The template is not included with the door; it must be ordered separately, 32875-X01 for the double door or 32875-X02 for the single door.

### Bracing to the subfloor

In an access floor installation, ensure that the floor is strong enough to support the fully populated computer cabinets. Add subfloor bracing to provide the proper support for equipment.

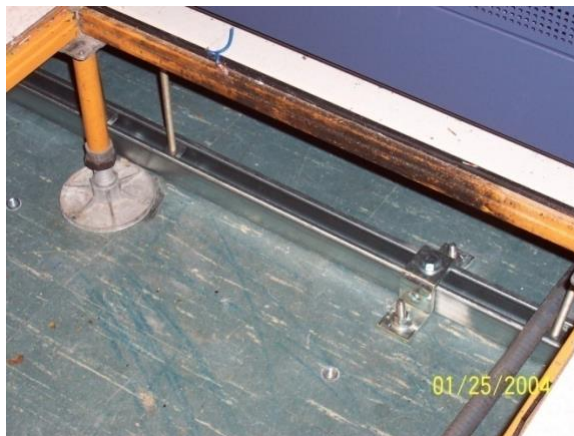


Fig. 2.2.1 Subfloor bracing

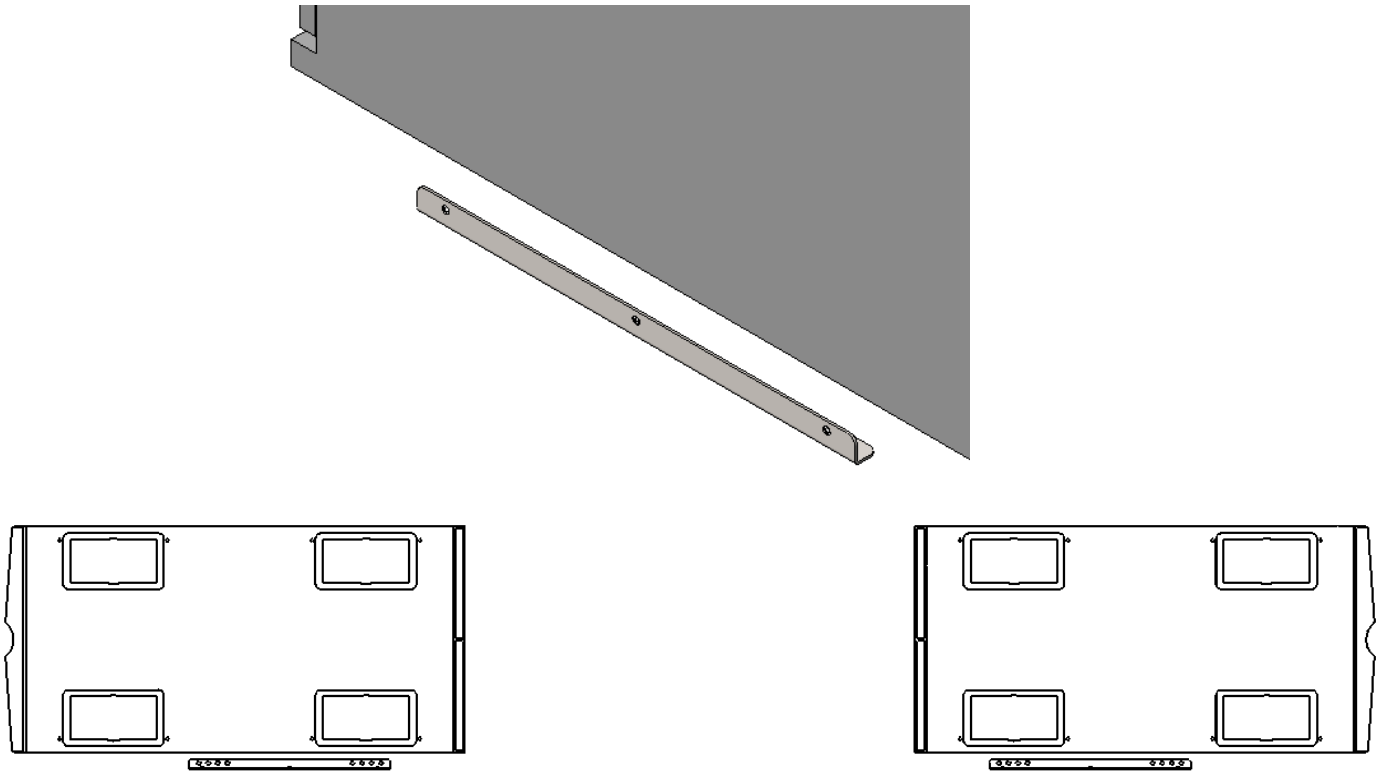
## FLOOR MOUNTING ANGLE INSTALLATION

### SLAB FLOOR

Install four 3/8" concrete anchors (PN: 40604-001, not included) into the four drilled holes. Bolt the two mounting angles to the floor with 3/8" hex bolts (not included).

### ACCESS FLOOR

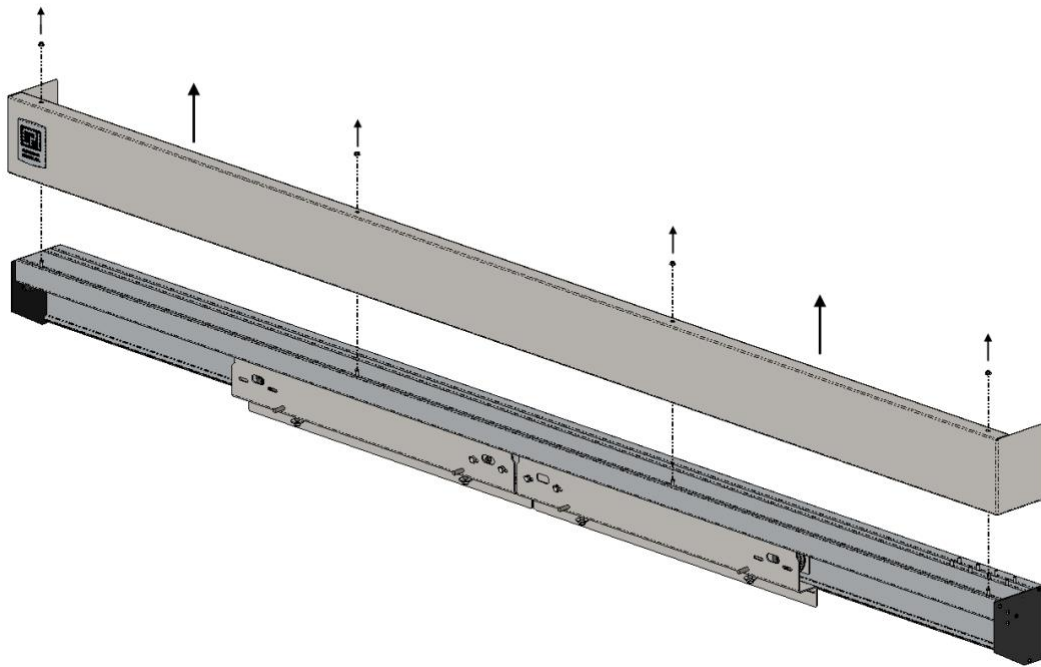
Bolt the two mounting angles to the floor tile with 3/8" hex bolts and fender washers (not included). If subfloor bracing is being used, extend 3/8" threaded rod through the floor tile to the subfloor (not included).



## DOOR FRAME ASSEMBLY

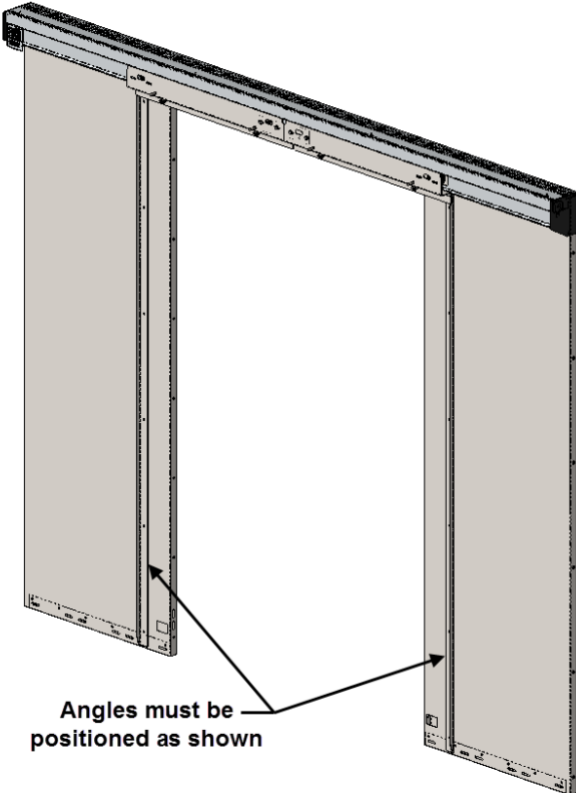
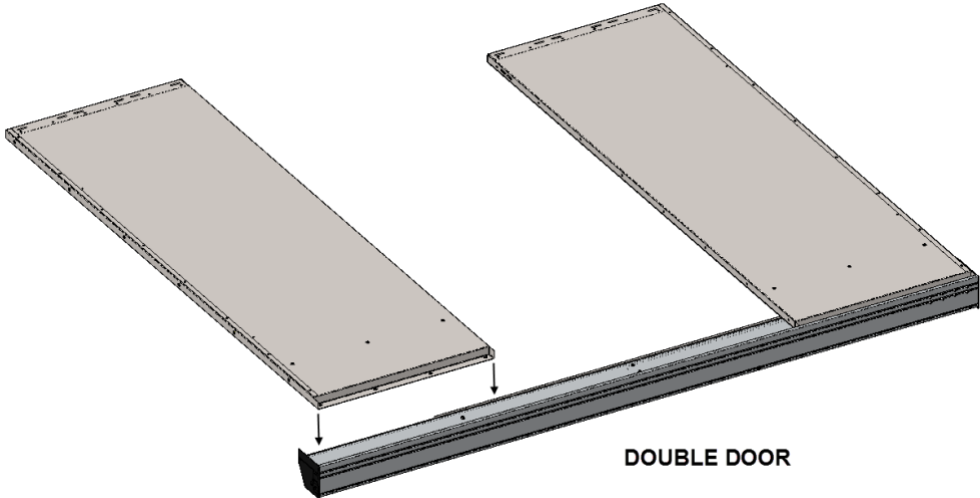
### REMOVING THE RAIL COVER

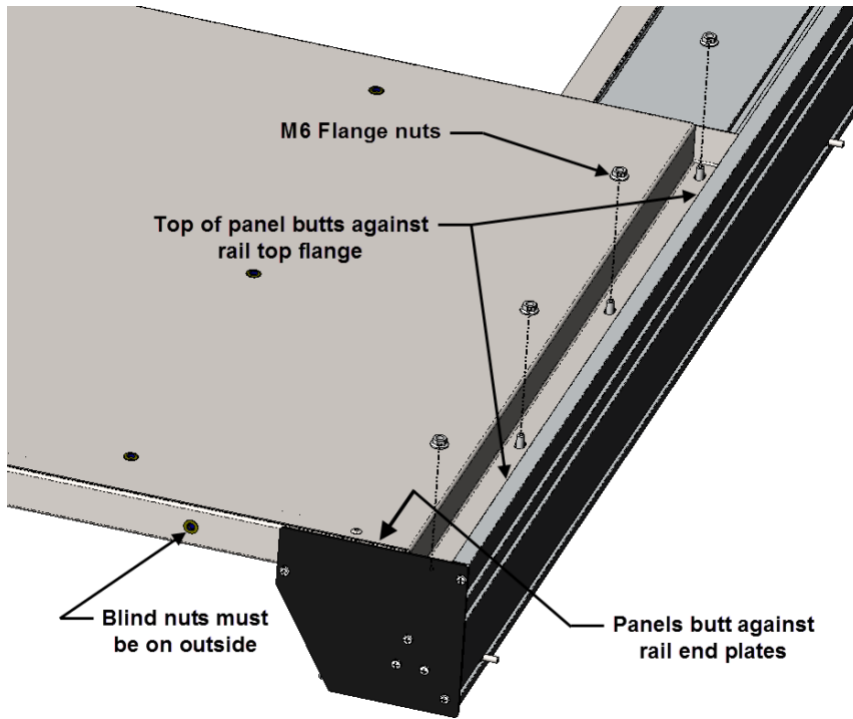
Lay the rail assembly on the floor; use packaging to protect finish. Remove the four nuts that hold the cover on the rail and remove the cover. Set the cover aside.



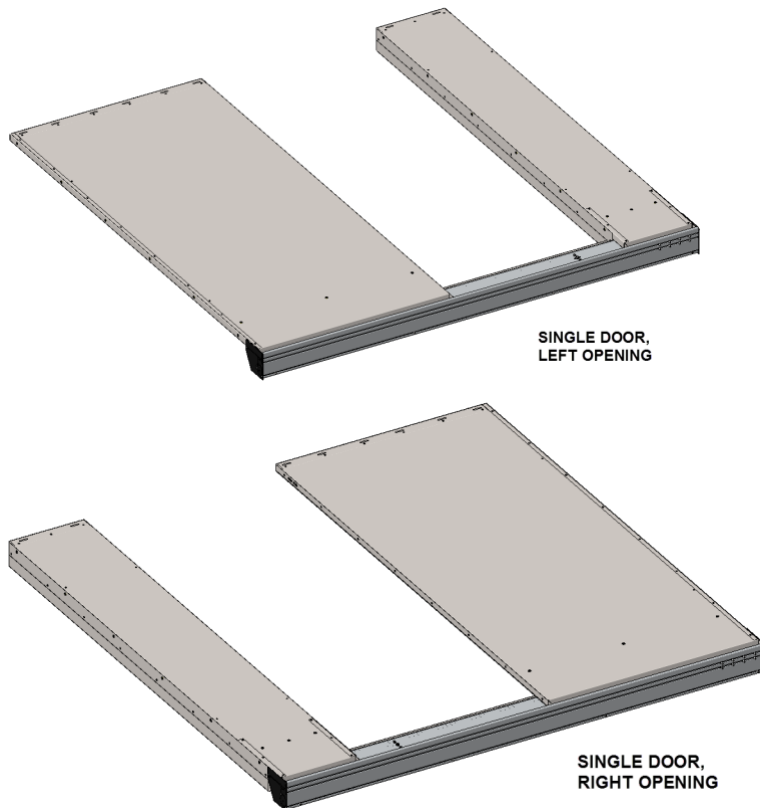
### ASSEMBLING THE DOOR FRAME

Position the rail assembly with the front towards the floor. Attach the side panels to the rail assembly using M6 flange nuts (see first picture on following page). The rail has bolts that protrude out of the back of the rail; these bolts go through the holes in the top flange of the panels. Be sure that the angles on the front face of the panels are positioned towards the center of the door opening (see second picture on following page). To ensure that the panels are mounted square to the rail be sure that the top edge of the panels are butted against the rail extrusion and slide the panels so that they butt against the rail end plates (see detail on page 13).



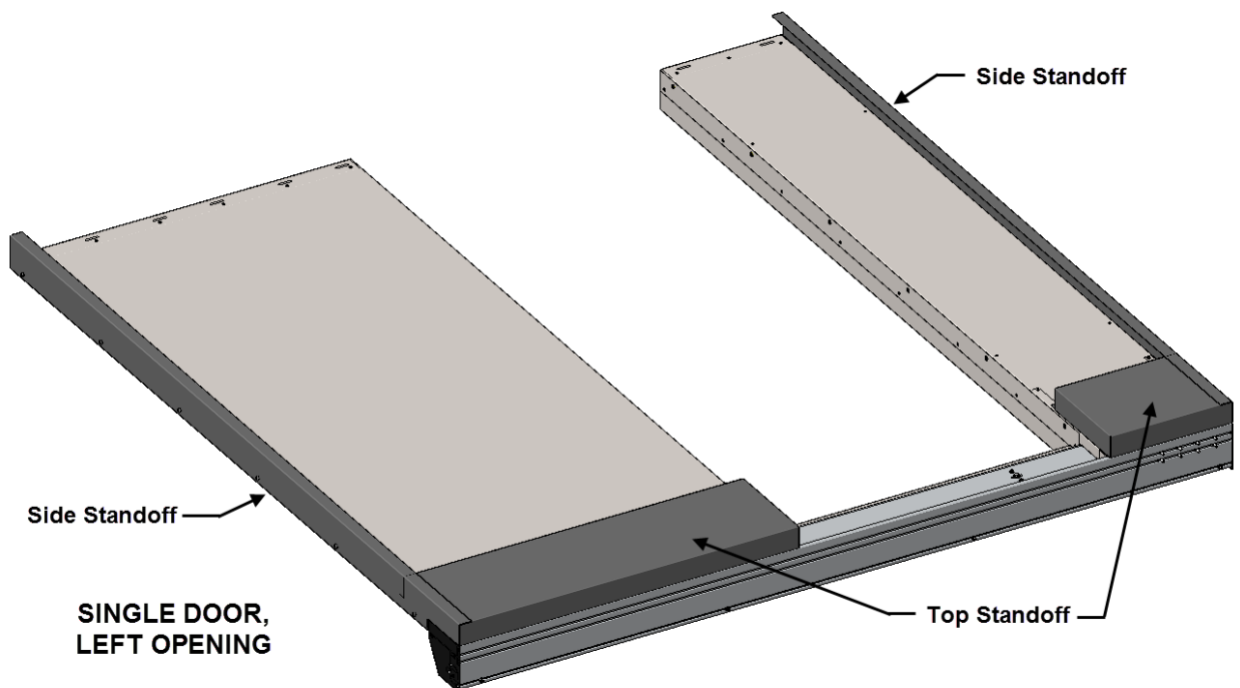
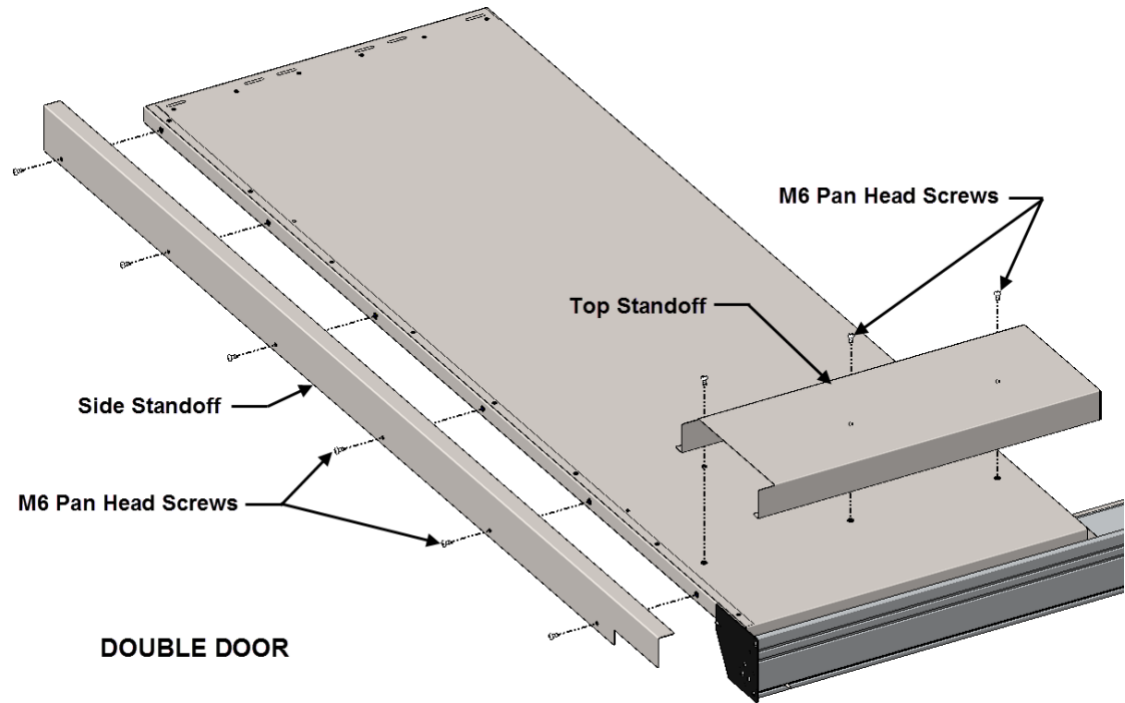


Single Door Assemblies shown below – note position of large and small panels.



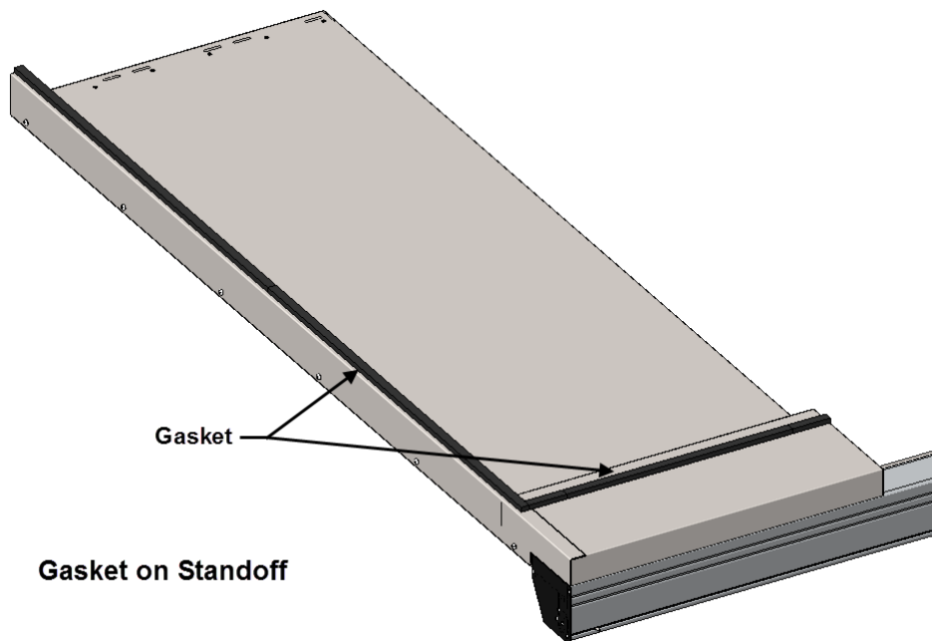
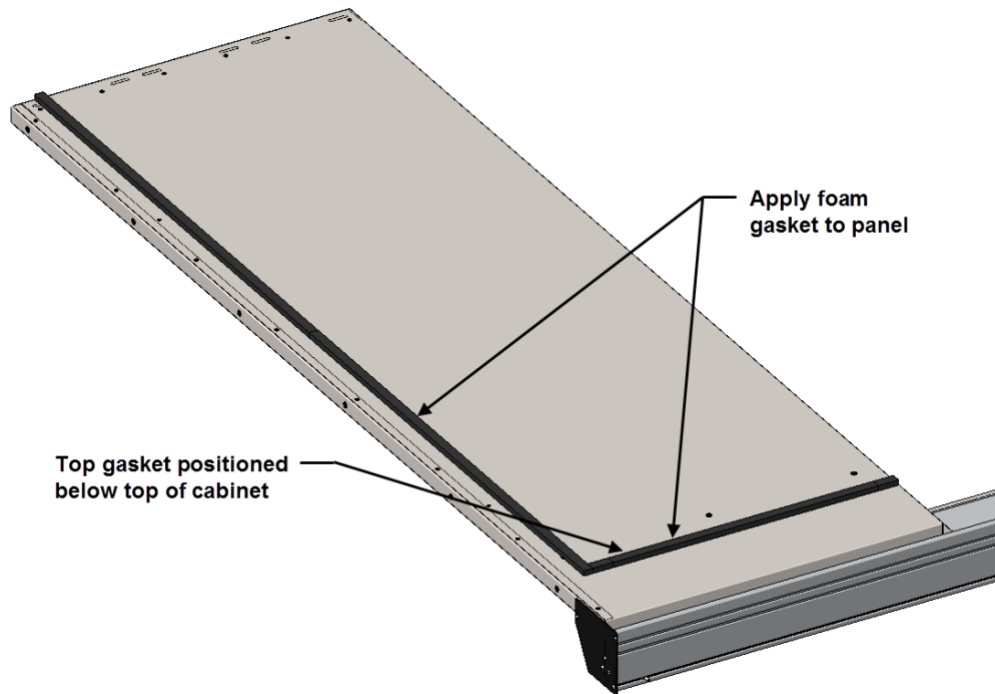
## STANDOFF ASSEMBLY

For access floor installations, a door standoff kit (PN 32870-X01 for the double door, PN 32871-X01 for the single left door, or PN 32871-X02 for the single right door) is required. The standoff is mounted to the frame assembly as shown below. Attach the two side standoffs to the side panels using six M6 pan head screws on each standoff. Attach the two top standoffs to the side panels using three M6 pan head screws on each standoff.



**APPLYING PANEL GASKET**

Apply the adhesive foam gasket to the side panels as shown below. The top gasket should be positioned 2" – 3" (51 – 76 mm) below the top edge of the cabinet. If the cabinet is taller than the door assembly apply the top gasket at the very top of the panels.





## DOOR FRAME INSTALLATION

### CABINET TOP ATTACHMENT

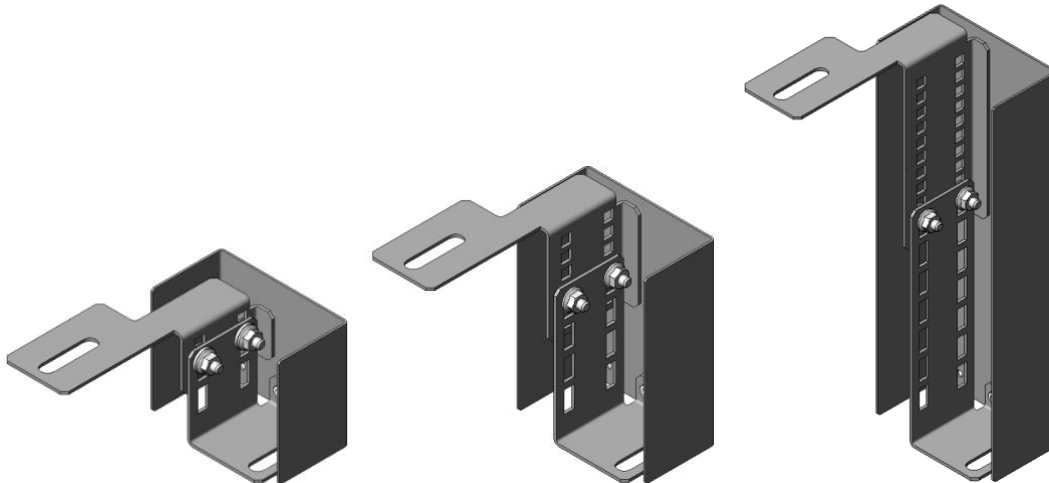
A Cabinet-to-Door Bracket Kit is required to attach the door frame to the top of the cabinets (not included with door). The brackets will work with ZetaFrame, F-Series TeraFrame and GF-Series GlobalFrame cabinet heights from 42U to 52U. Order one kit per door assembly as follows:

#### For doors without standoff kit:

- 32805-X00 For top of cabinet heights from 85.3" up to 91.4"
- 32805-X01 For top of cabinet heights from 82.6" up to 94.2"
- 32805-X02 For top of cabinet heights from 77.8" up to 98.9"

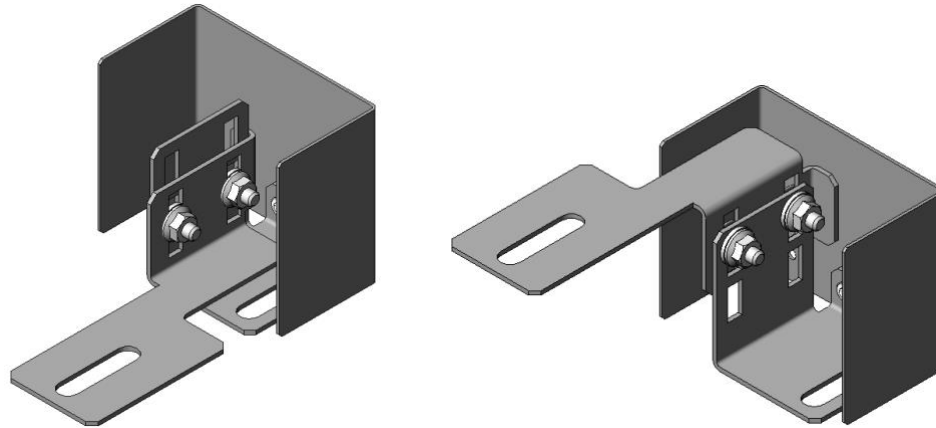
#### For doors with standoff kit:

- 32805-X03 For top of cabinet heights from 85.3" up to 91.4"
- 32805-X04 For top of cabinet heights from 82.6" up to 94.2"
- 32805-X05 For top of cabinet heights from 77.8" up to 98.9"

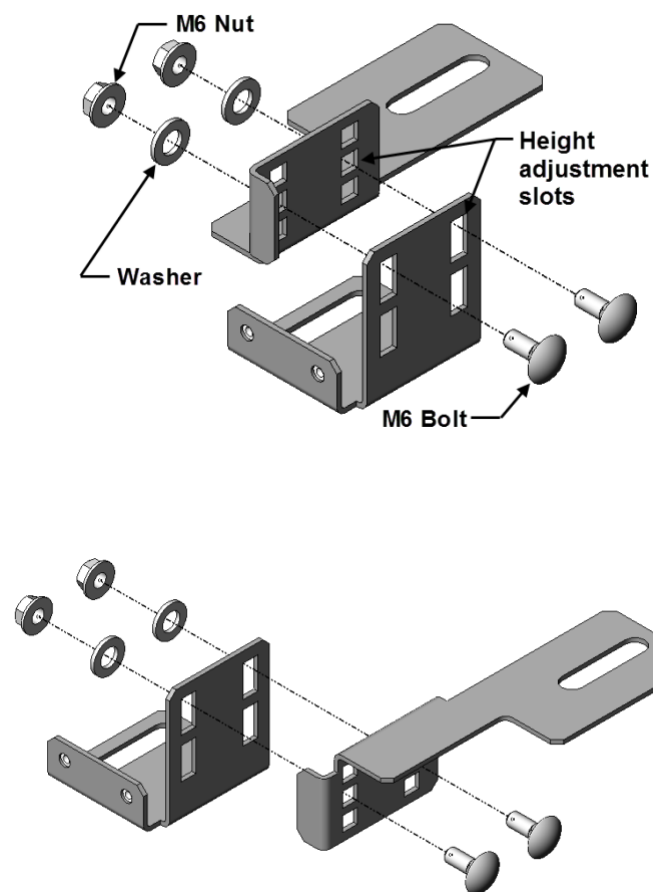


## BRACKET ASSEMBLY

The top mounting brackets can be assembled in two different configurations; the first picture below shows the bracket assembled for the minimum height adjustment and the second shows it assembled for the maximum adjustment.

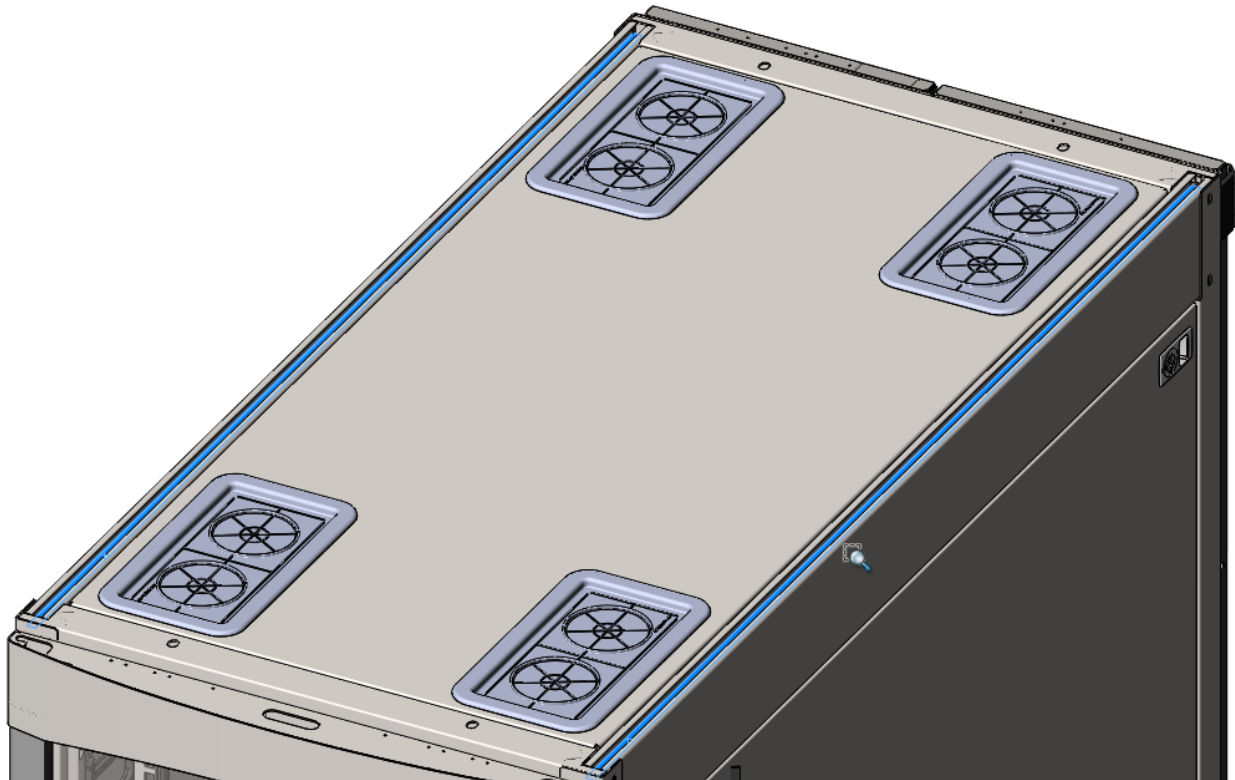


Assemble the two brackets together using two M6 bolts, washers, and nuts for each bracket assembly.

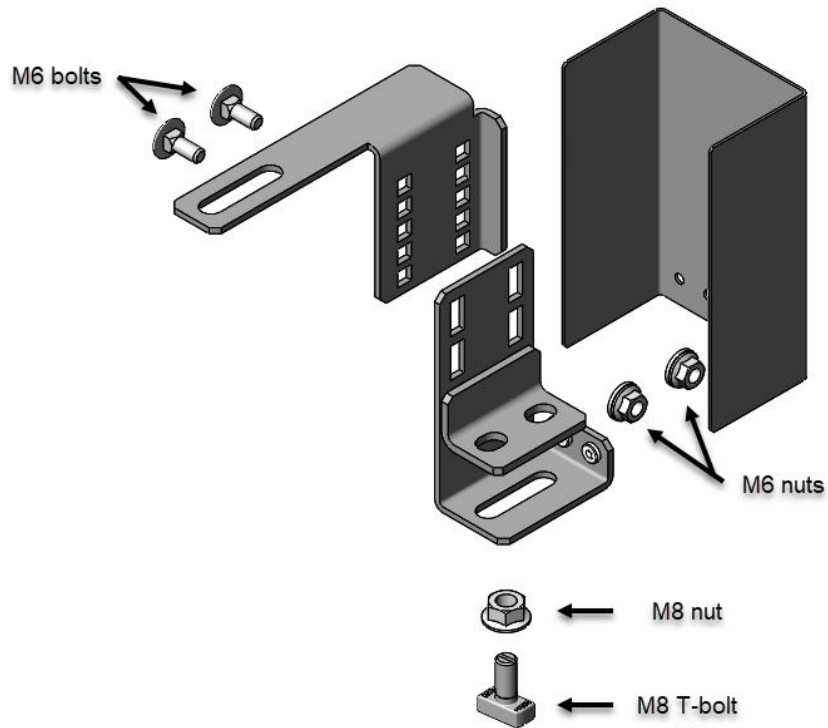
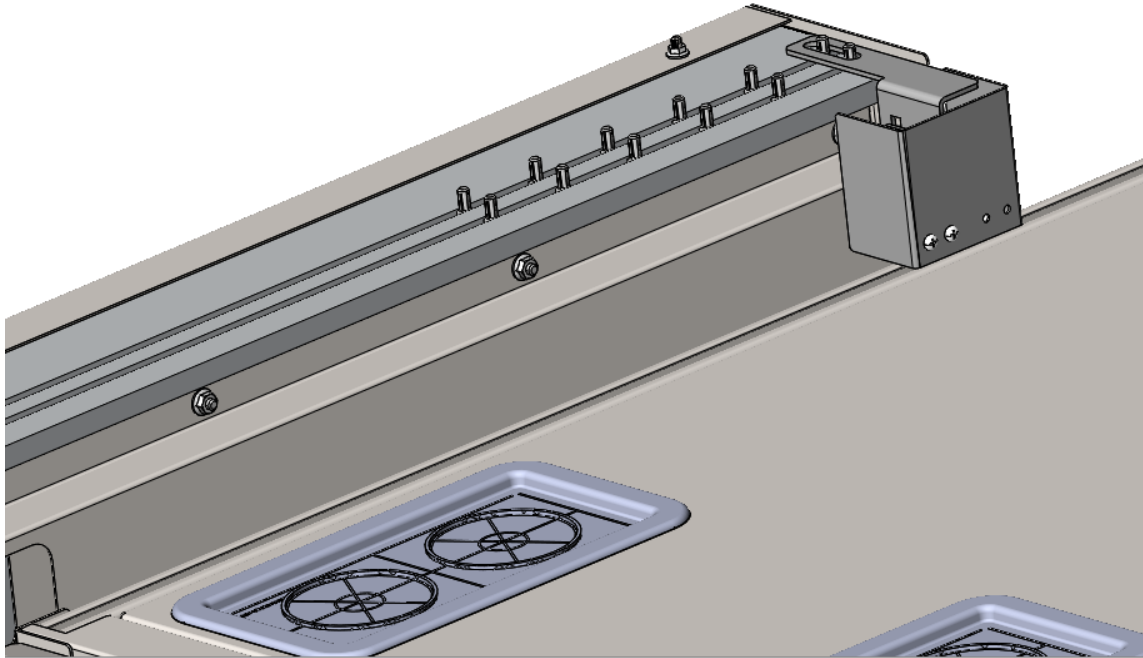


## ZETAFRAME MOUNTING

ZetaFrame cabinet frames feature a front-to-rear top mounting track for mounting overhead accessories. These channels will accept M8 T-bolts for attachment of end-of-row containment doors and aisle containment panels.



For ZetaFrame Cabinets that are taller than the door frame assembly, mount the bracket assembly as shown below. Install the M8 drop-in T-bolt in the cabinet's upper frame track. Attach the top bracket to the cabinet with the M8 T-bolt and M8 serrated flange nut. The bottom bracket is attached to the door top rail using one of the pre-installed M6 bolts in the rail and a M6 nut and washer. Attach the bracket cover to the bottom bracket with two M4x6 screws.

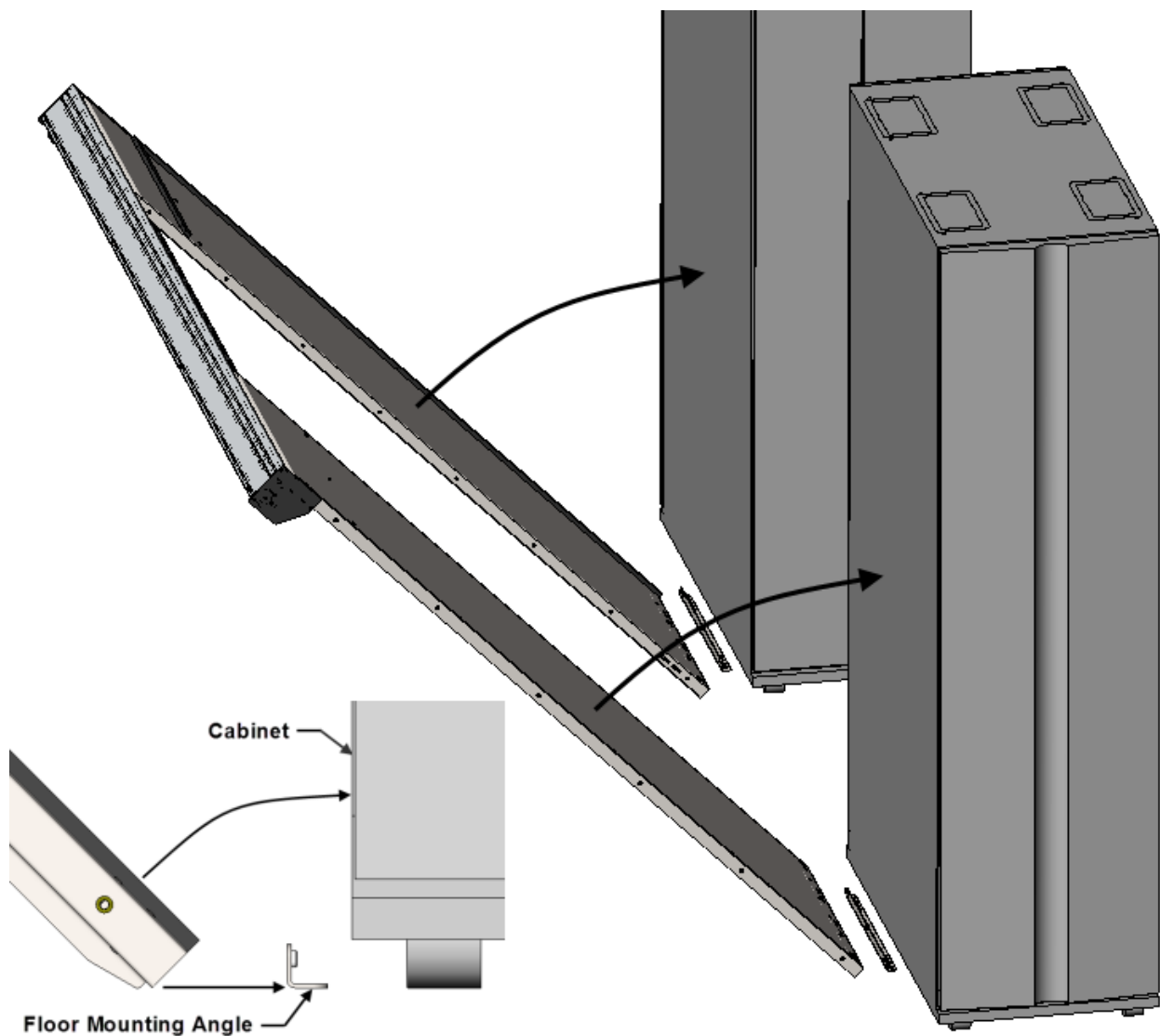


## POSITIONING THE DOOR

Position the door frame assembly with the bottom of the side panels aligned with the floor mounting angles. Tip the frame assembly up so that the inside pocket of the side panels fit over the floor mounting angles. Utilize a level to ensure the door assembly is vertically plumb. Check plumbness at the left- and right-hand side panel assemblies. Tighten the door support bracket hardware.

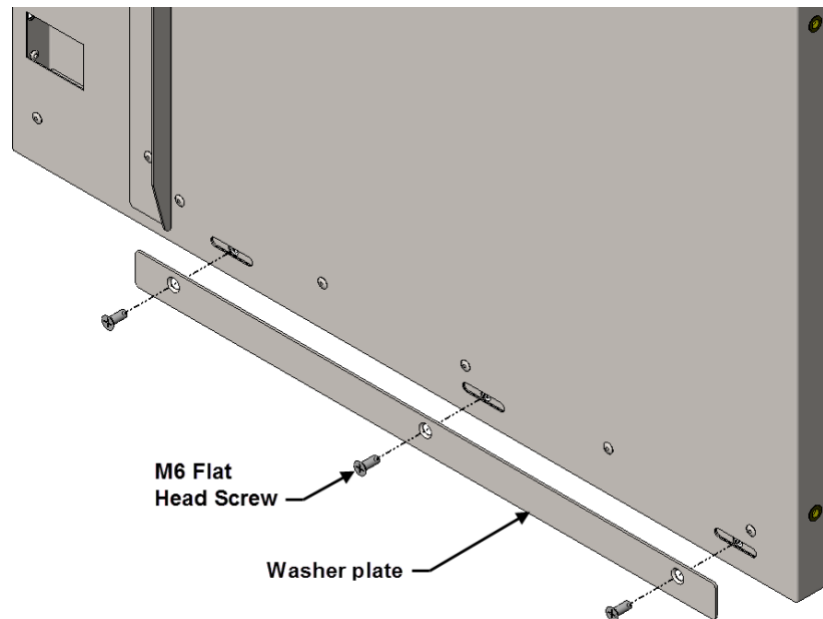


**WARNING:** Until the frame assembly is attached to the top of the cabinet, the frame must be held up in place by at least one person.



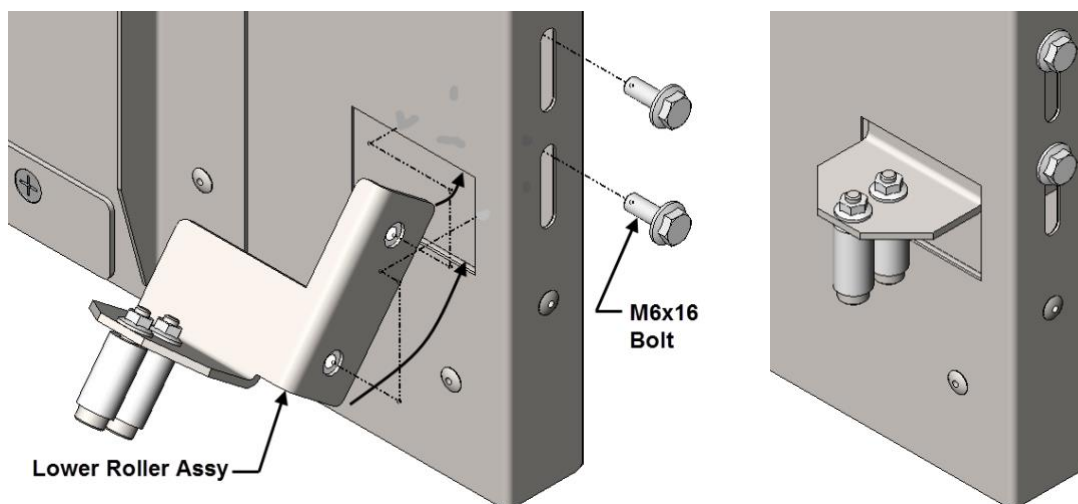
### CABINET FLOOR ATTACHMENT

Attach the bottom of each side panel to the floor mounting angle with three M6 flat head screws and a washer plate. **\*\*TIP\*\*** Use a flat screwdriver positioned underneath the side panel to aid with hole alignment.



### LOWER ROLLER INSTALLATION

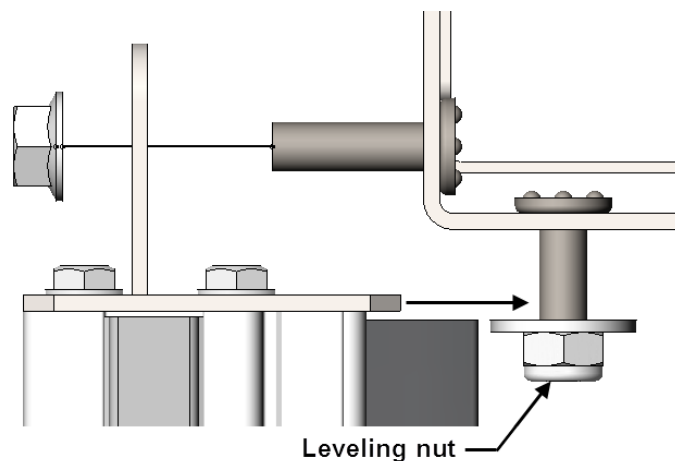
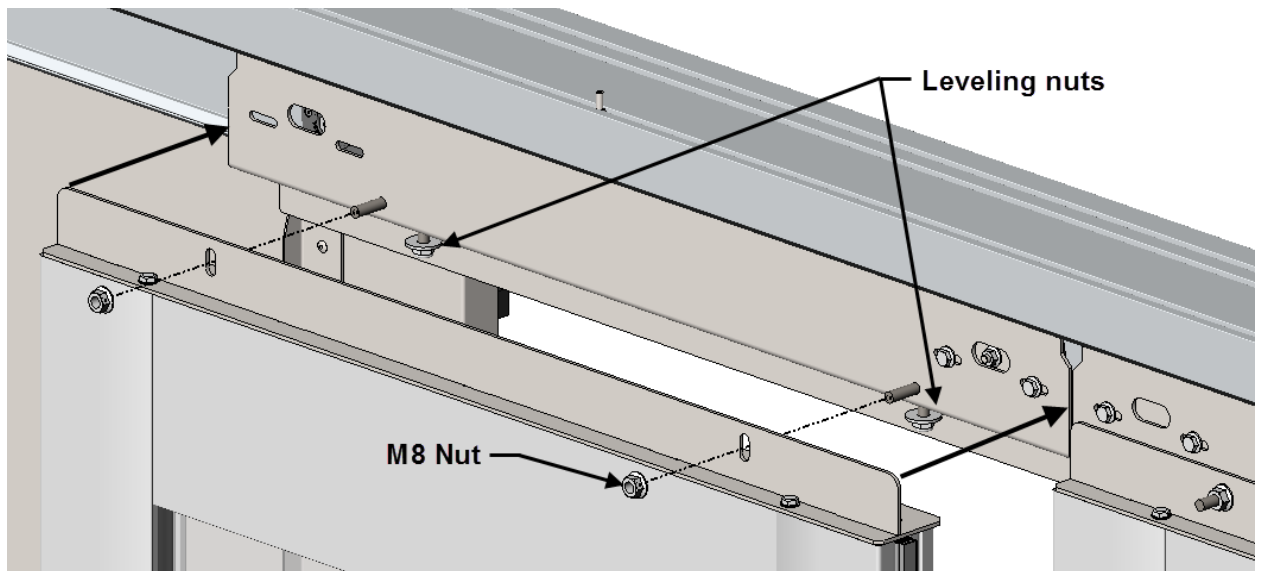
Install the lower roller assemblies (two for the double door and one for the single door) as shown on the following page. Insert the assembly through the rectangular opening on the front of the side panel and rotate it into position. Attach to the side panel with two M6 x 16 bolts. The roller assembly should be positioned at the top of the slots. The bolts should only be finger tight, the roller will be moved later.



## DOOR INSTALLATION

### MOUNTING THE DOOR

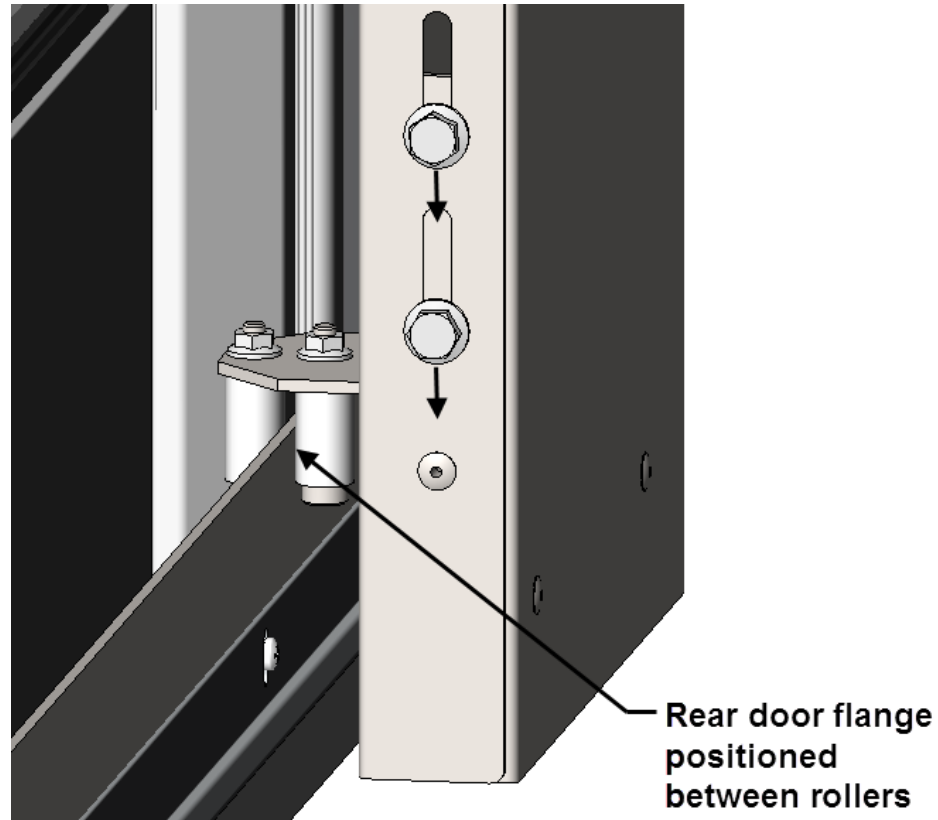
Hang each door panel onto the roller bracket studs and secure with two M8 nuts; the nuts should only be finger tight to allow height and leveling adjustment. Be sure that the rear flange of the door hanger bracket is positioned on top of the leveling nuts, see second picture below.



Adjust leveling nuts as required to level each door assembly. The leveling nuts include nylon inserts to prevent rotation during use. Do not overtighten. Once both door assemblies are leveled, tighten the M8 nuts attaching the door assembly to the bracket finger tight then 1/4 turn with a wrench.

**ADJUSTING LOWER ROLLERS**

From inside of the door, loosen the lower roller bolts and slide the roller assembly down so that the rear door flange is captured between the two rollers. Adjust the height to maintain at least a 1/4" gap between the door flange top and the metal bracket for smooth operation. Tighten the bolts.





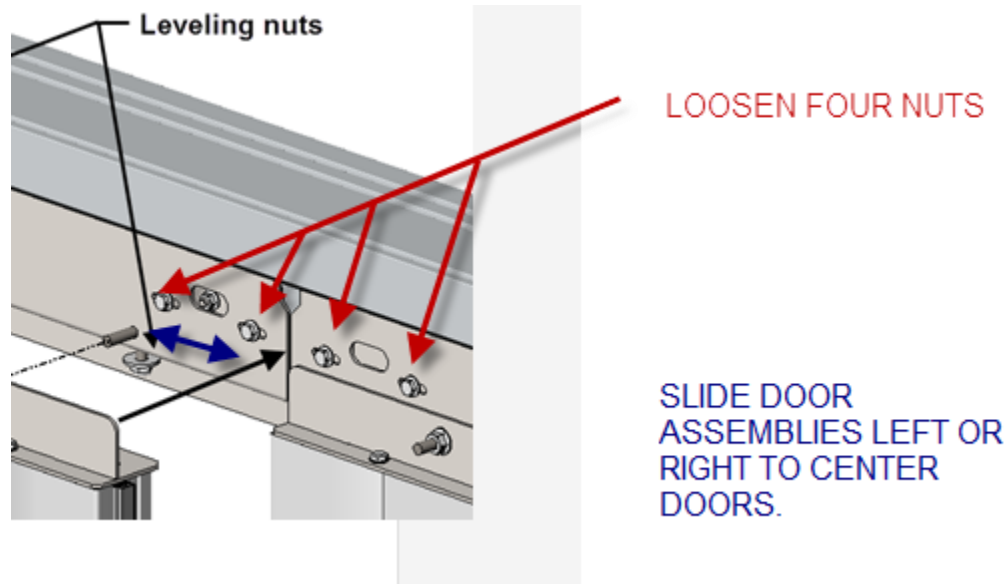
## ADJUSTING DOOR ALIGNMENT

### Q: What if there is an uneven gap between the two door assemblies?

A: Either one of both door assemblies is not level. Adjust the leveling nuts to level the doors and eliminate the gap.

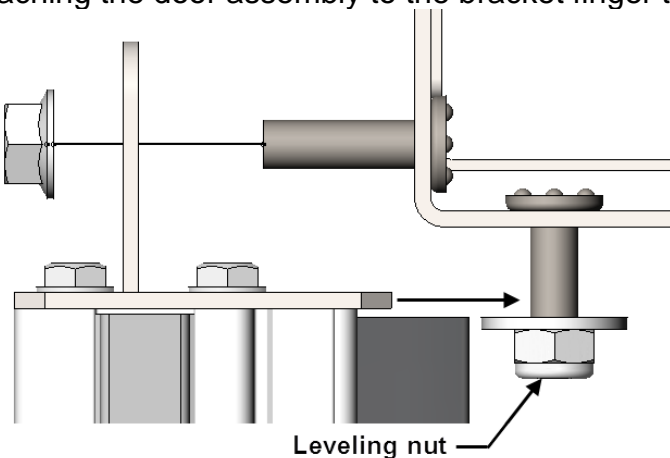
### Q: What if the door vertical gasket stops before sealing to the vertical L shaped bracket on the side assemblies?

A: The door(s) are not centered on the track. Loosen hardware securing door support brackets to the trolley system. Slide door assemblies left or right as required. Re-tighten hardware.



### Q: What if the door stops before fully closing?

A: Adjust door brush seal height if too low. Door support hardware may be overtightened. Loosen M8 hardware securing door to support brackets. Loosen leveling nuts to lower door assembly. Check operation. If improved, tighten the M8 nuts attaching the door assembly to the bracket finger tight then  $\frac{1}{4}$  turn with a wrench.



# ADJUSTABLE CONTAINMENT SOLUTION FOR HOT AISLE CONTAINMENT

## Adjustable Containment Solution Panel Requirements:

End of row (EOR) doors (32770-XXX) and Telescoping EOR Panel assemblies (14625-XXX) are required to form a complete Aisle Containment solution using the 14500-XXX panels. Telescoping EOR Panels are fixed in width and require correct cabinet to cabinet aisle with spacing.

## Intended Use

Install this assembly only in a restricted service environment, such as a data center. Use indoors only, in environmentally controlled areas; do not use outdoors, in harsh environments or in air-handling spaces or in direct proximity to unshielded high voltage.

## Adjustable Containment Solution Panel Requirements:

The 14500 Adjustable Containment Panel is intended to be used to form a barrier region above a ZetaFrame Cabinets.

This instruction is to be used as a general guideline as the actual field installation will depend on system containment requirements.

The 14500 Adjustable Containment Panels may be used in either Aisle Containment or Row Vertical Exhaust Applications

## Required Tools:

- #2 Flat Screwdriver
- 13mm Socket wrench

## Included Hardware:

- M8x16 Serrated Flange Screw
- M8 Serrated Flange Nut
- Upper Panel Baying Bracket

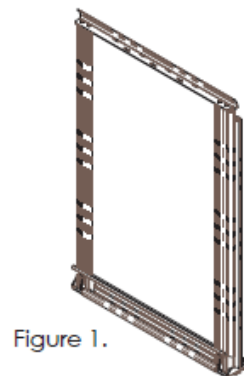
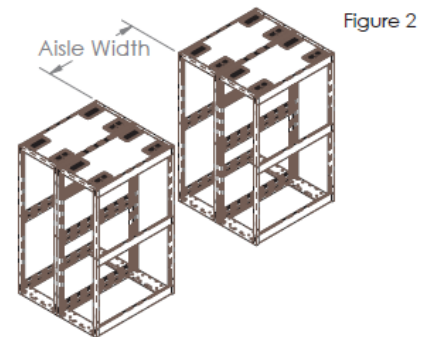


Figure 1.

### Aisle Containment Installation Instruction:

1. Confirm cabinet aisle width shown in Figure 2 is compatible with the EOR panel assembly (14625-XXX).
2. Anchor and level cabinets to floor. Remove and standard cabinet baying brackets if previously installed.
3. Install telescoping panel to top of cabinet
  - A. Align 4 t-bolts to be parallel with upper frame track as shown in Figure 3.
  - B. Confirm gap space for 4 bolts is  $.25" \pm .1"$



SLOT ON TOP OF T-BOLT IS PARALLEL TO FRAME CHANNEL PRIOR TO INSTALLATION.

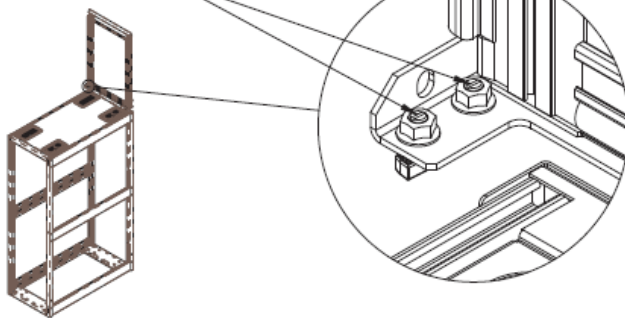


Figure 3

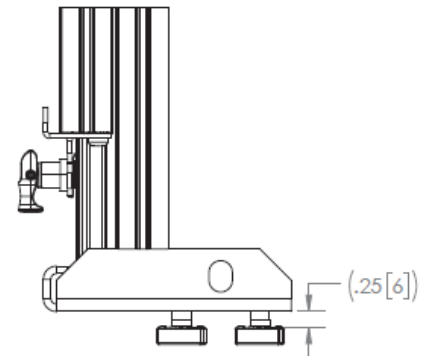
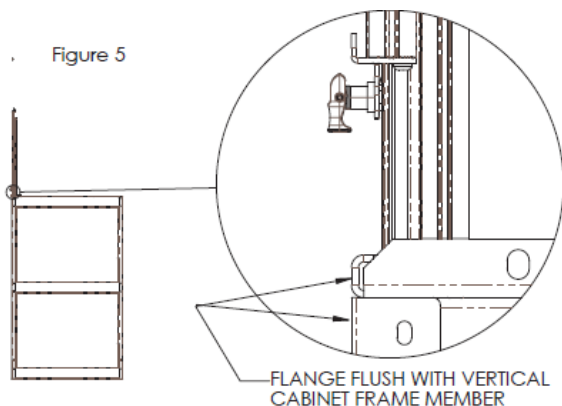


Figure 4.

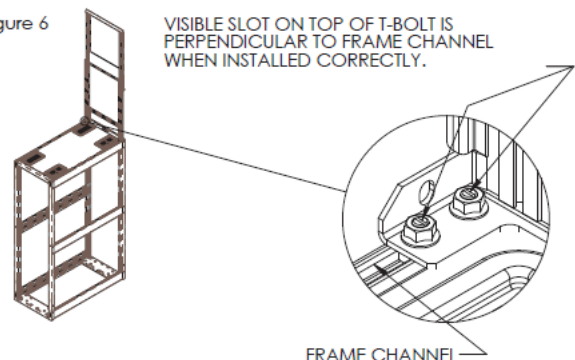
- C. Locate panel on top of cabinet being careful that all 4 bolts land within the track and are fully seated down in the track
- D. Position the telescoping panel so the front of the base flange is flush with the vertical
- E. cabinet frame members as shown in Figure 5.
- F. Use a 13mm socket wrench to secure the panel system to the cabinet frame. Confirm that the slot on the top of the T-Bolt is oriented as shown in Figure 6. Torque is 25 ft-lb [34NM]. If required, loosen the nut, push the bolt down into the track and re-tighten and re-check for proper orientation.

Figure 5



FLANGE FLUSH WITH VERTICAL CABINET FRAME MEMBER

Figure 6



VISIBLE SLOT ON TOP OF T-BOLT IS PERPENDICULAR TO FRAME CHANNEL WHEN INSTALLED CORRECTLY.

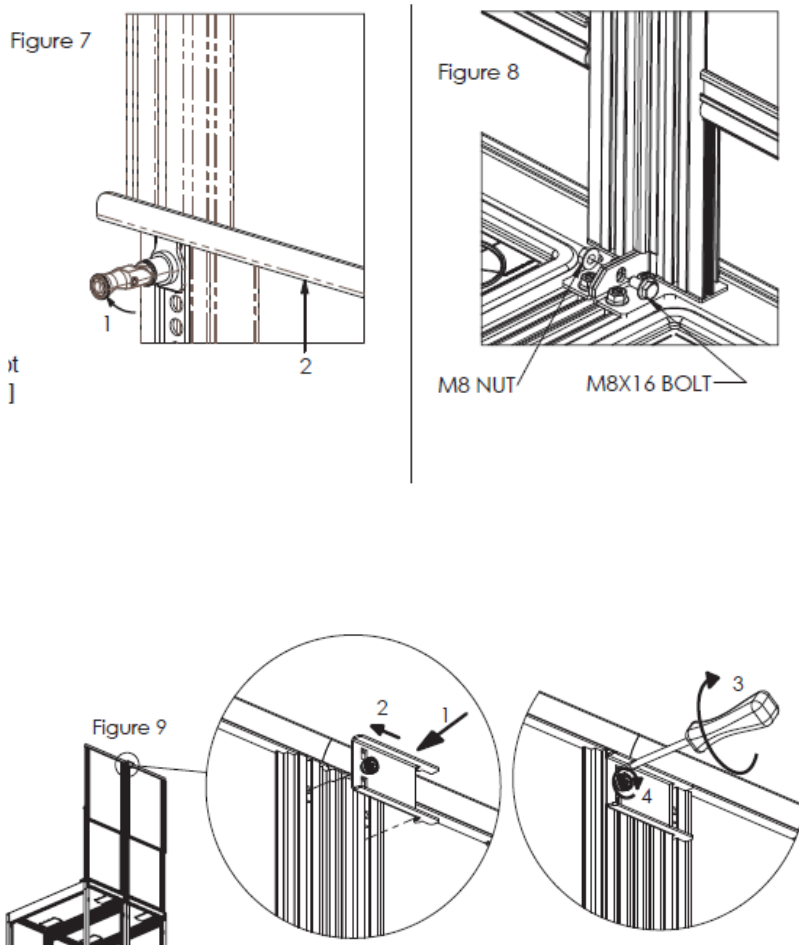
FRAME CHANNEL

#### 4. Raise the upper panel

- A. Pull the plunger levers to retract the indexing pins on both sides of the panel as shown in Figure 7.
- B. With hands on both sides of the upper panel's lower frame, raise the upper panel.
- C. Lower the plunger levers and move the panel vertically to the highest indexing position the ceiling allows. Confirm adjacent panels are raised to consistent and pin locks into position.

#### 5. Bay adjacent cabinets

- A. Use M8X16 Bolt and M8 flange nut to bay adjacent cabinets to each other through the slot as shown in Figure 8. Torque to 25 ft-lb [34NM]
- B. Tie upper panels use baying bracket shown in Figure 9. If required, use a screwdriver to compress the bulb seal between the adjacent cabinets.



## Adjustable Containment Solution End of Row Panel

(14625-XXX) Adjustable Containment Solution End of Row Panels – span across the aisle between two rows of cabinets to create a Hot Aisle Containment Duct.

The telescoping panels allow infinite adjustment within the specified height range.

The panels mount to the top of Aisle Containment Double Door Assemblies (32770-XXX). Panel size options allow a rear frame alignment or mid-span alignment for 1200 mm – 1100 mm depth cabinets.

### Intended Use

Install this assembly only in a restricted service environment, such as a data center. Use indoors only, in environmentally controlled areas; do not use outdoors, in harsh environments or in air-handling spaces or in direct proximity to unshielded high voltage.

### Adjustable Containment Solution End of Row Panel Requirements:

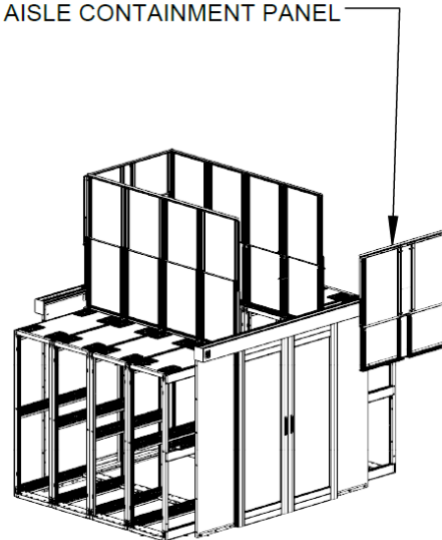
The 14625-XXX Adjustable Containment Solution End of Row Panels are intended to be used to form a barrier region above a 32770-XXX or 32780-XXX Aisle Containment Doors.

This instruction is to be used as a general guideline as the actual field installation will depend on system containment requirements.

### Required Tools:

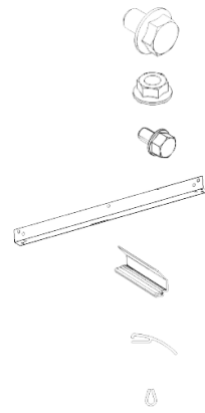
- 8mm socket wrench
- 10mm socket wrench
- 13mm socket wrench
- Utility knife

14625-XXX ADJUSTABLE END OF ROW  
AISLE CONTAINMENT PANEL



**Included Hardware:**

- M8x12 Serrated Flange Screw, Qty (14)
- M6 Serrated Flange Nut, Qty (8)
- M5x8 Flange Screw, Qty (8)
- Upper Corner Bracket Qty (2)
- Mid Seals, Qty (2)
- Edge Seals (2 Horizontal, 2 Vertical)
- Lower Mid Panel Seal, Qty (1)



1. Attach (2) Upper Corner Brackets with (3) M8X12 each as shown in Figure 2. Measure the inside opening dimension between the Upper Corner bracket flanges (Dim A) as shown in Figure 2.

Maximum and minimum "Dim A" values for the available end of row panel assemblies are given in Table 1.

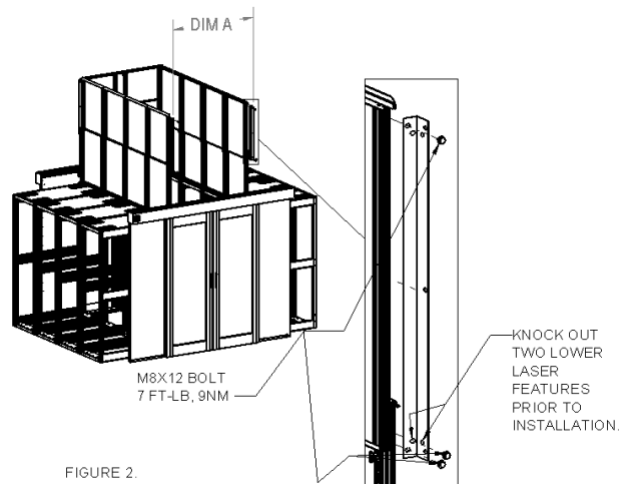


TABLE 1.

Part Number	Valid "DIM A" Range			
	Minimum		Maximum	
	in	mm	in	mm
14625-X00	50.6	[1286]	56.6	[1439]
14625-X01	50.6	[1286]	56.6	[1439]
14625-X02	50.6	[1286]	56.6	[1439]
14625-X03	58.5	[1486]	64.5	[1639]
14625-X04	58.5	[1486]	64.5	[1639]
14625-X05	58.5	[1486]	64.5	[1639]
14625-X06	90.7	[2304]	96.7	[2457]
14625-X07	90.7	[2304]	96.7	[2457]
14625-X08	90.7	[2304]	96.7	[2457]

2. Measure the distance between the lower edge of the Upper Corner Bracket installed in Step 1 to the top of the edge of cabinet panel base as shown in Figure 3. Trim flexible seal strips to fit and install with the curve directed inwards as shown.

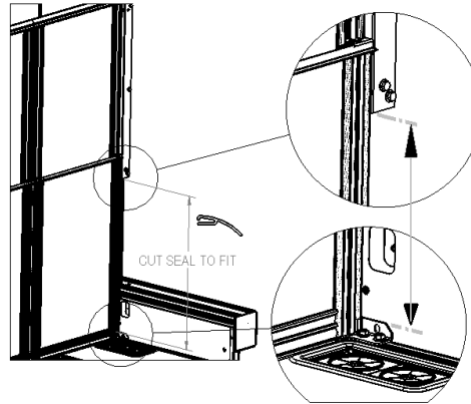
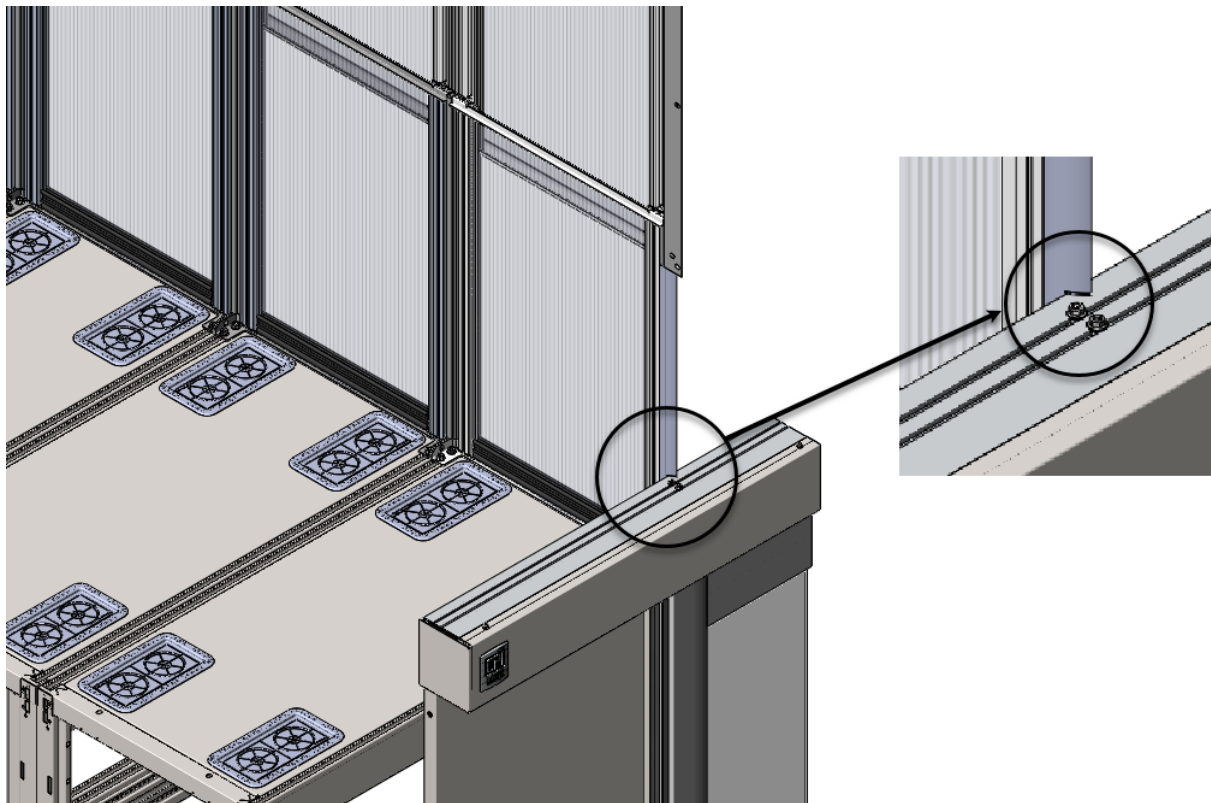


Figure 3.

3. Install the cut strip with the curve directed inwards as shown. Slit the seal with a knife just above the door header as shown. Repeat for both rows where strip touches the door (four corners).



4. Place the right-side End of Row Containment Panel onto the End of Row Door header. Align Qty (4) M6 studs with the slots on the bottom of the panel frame as shown in Figure 5.

5. Attach the lower frame using M6 Serrated nuts as shown. Install top edge seal onto panel aligning one edge to the corner bracket and the other edge biased toward the middle as shown in Figure 5.

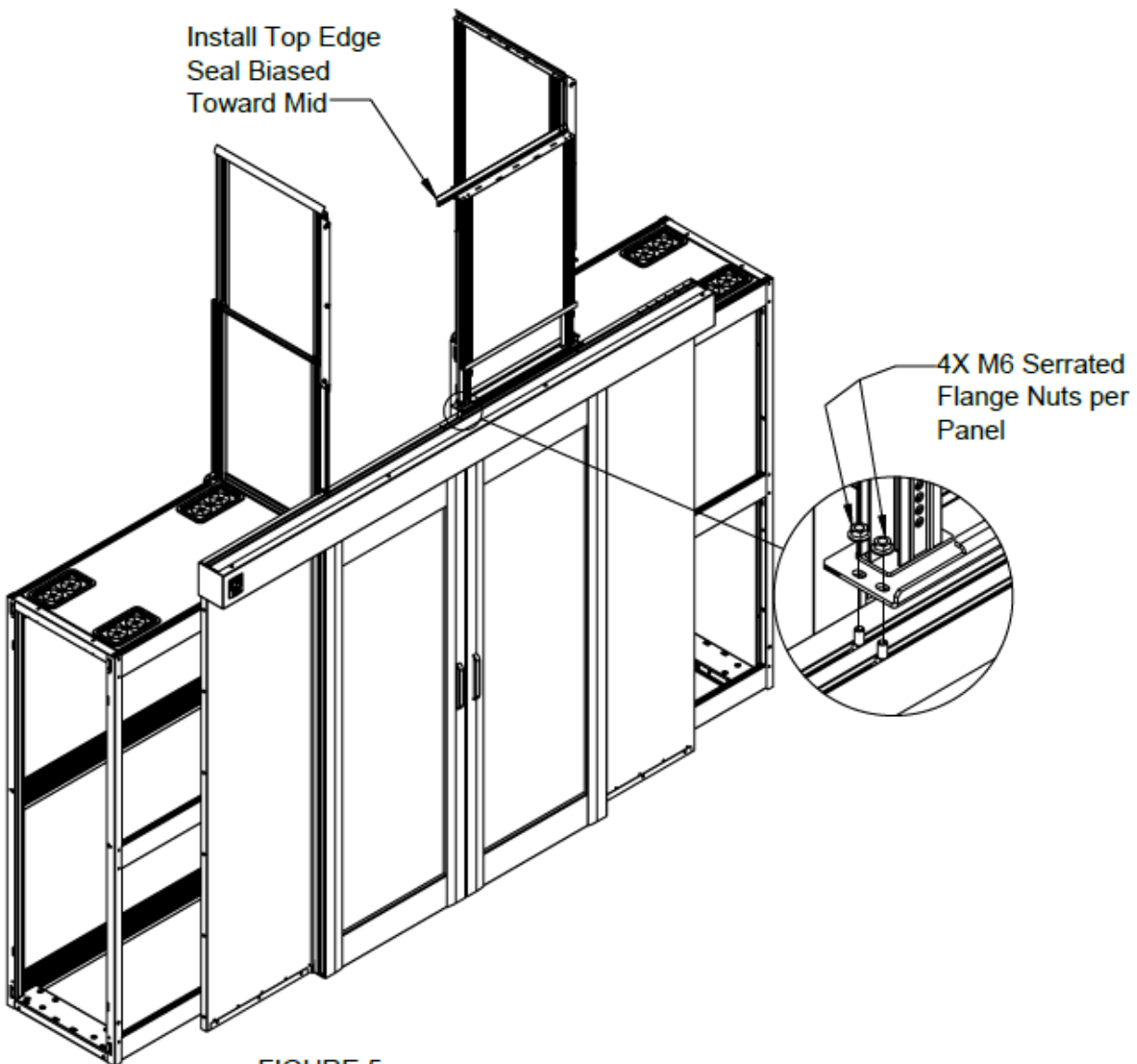


FIGURE 5.

6. Raise the panels by straightening the 2 pin levers, lifting the panel until the upper seal touches the ceiling. Lock the height adjustment by lowering the pins. Confirm that the pins are seated fully into one of the indexing holes.

7. Repeat steps 3-5 for the left side panel assembly. Trim left top edge seal to mate to the right seal in the center of the aisle as shown in Figure 6.

8. Use the M8x12 Bolts to secure the sides of the Upper Corner Brackets to the panel as shown in Figure 6. Repeat for opposite side.



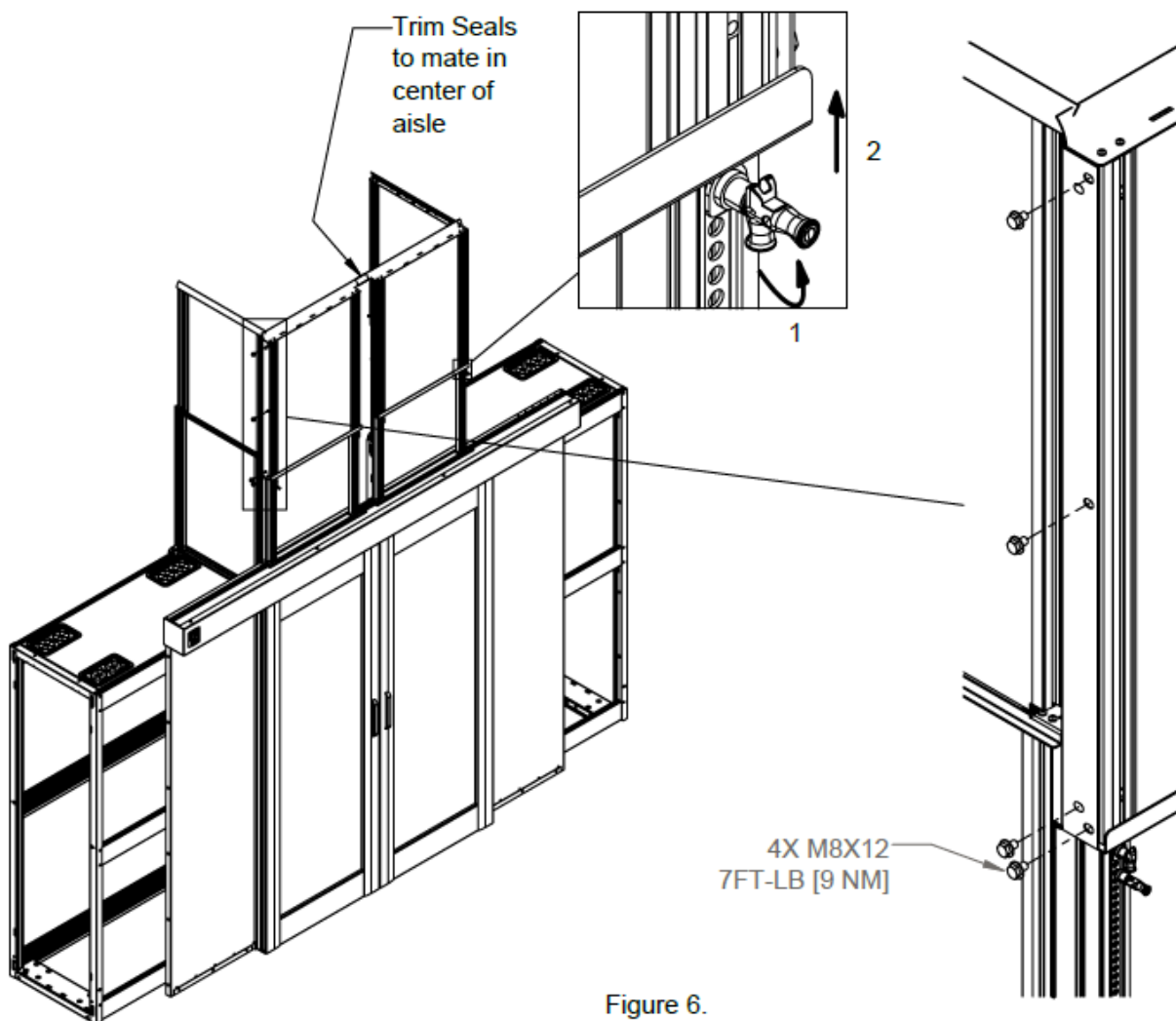
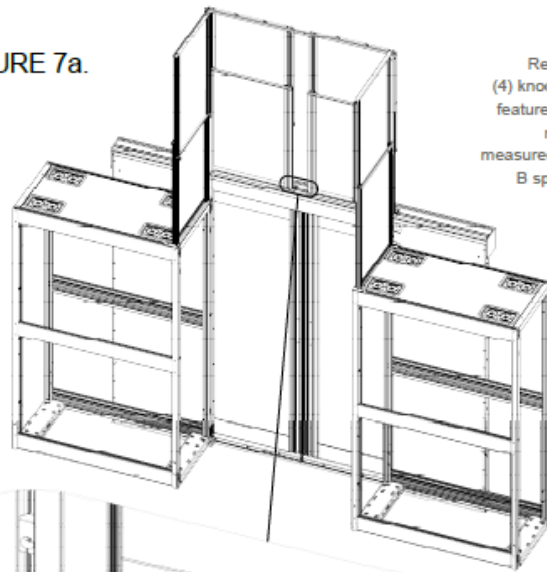


Figure 6.

9. Measure the distance between the left and right panel slots as shown in Figure 7a.
10. Identify a symmetric set of laser knock-out features as shown in Figure 7b for the lower mid-panel to match the "Dim B" measurement of step 9. Remove and remove the 4 slot cover features as shown in Detail C.
11. Measure the gap between extrusions (Dim C) in the mid region as shown in Figure 7a and cut two sections of the mid seal to match.
12. Measure the gap between the lower plates (Dim D) and cut the Lower Mid Panel Seal length to match.

FIGURE 7a.



Remove  
(4) knock-out  
features that  
match  
measured Dim  
B spacing

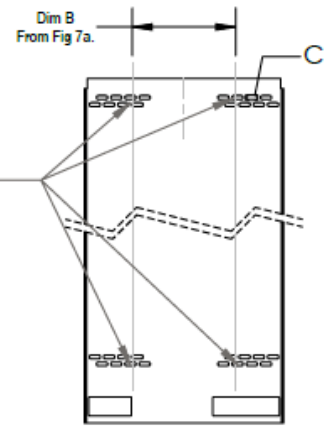
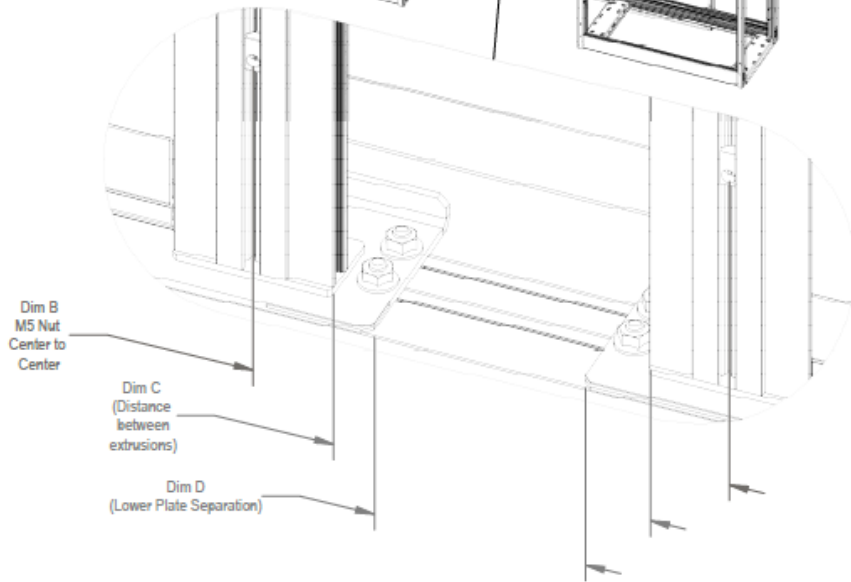


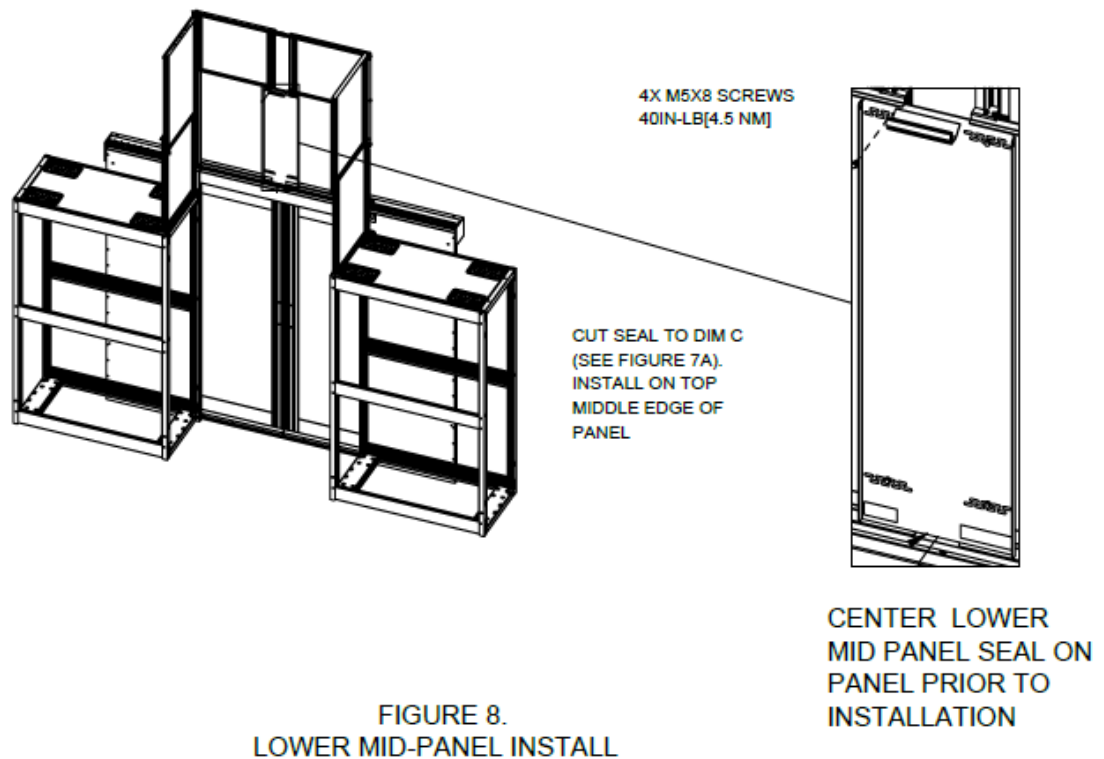
FIGURE 7b.  
Lower Mid Panel



Alternate pushing  
on each end of laser  
knock-out features  
to remove

DETAIL C  
SCALE 1 : 1

13. Install the lower mid panel as shown in Figure 8.



14. Install the upper mid panel as shown in Figure 9 in a similar manner as the lower panel except that the seal is installed on the lower edge.

15. Use the provided sealing sheet to cover any exposed gaps on the upper mid panel as shown in Figure 9.

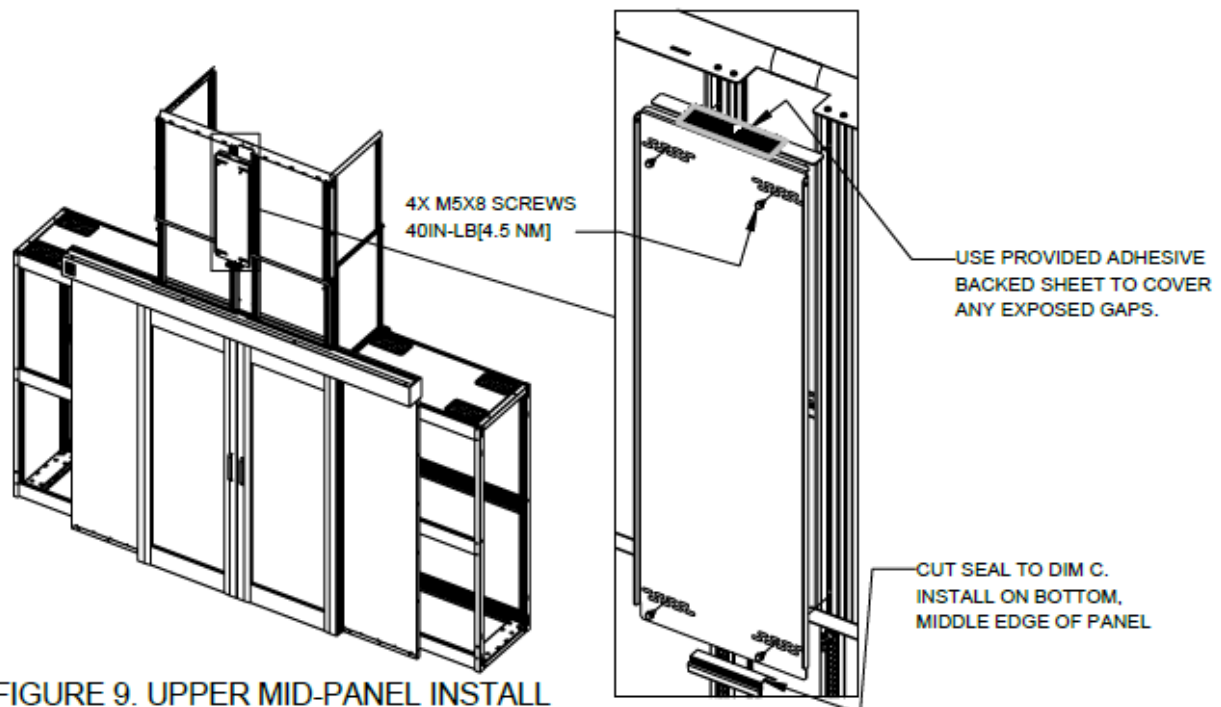


FIGURE 9. UPPER MID-PANEL INSTALL

## Adjustable Containment Solution Brush Kit

The ACS Brush Kit provides a penetration port through the 6mm double wall polycarbonate panel for cabling infrastructure. When properly installed, the ACS brush kit will limit air leakage through the penetration and provide edge trim to protect cabling from sharp edges.

### Intended Use

Install the ACS brush kit in a restricted service environment, such as a data center. Use indoors only, in environmentally controlled areas; do not use outdoors, in harsh environments or in air-handling spaces. The ACS brush kit is sized for use with standard cable runway sizes: 12", 18", and 24" width.

### Required Tools:

- Utility knife

### Included Hardware:

(2) Vertical Edge Protectors



(2) Brush Assemblies.



1. Use a utility knife to cut-out an opening for the brush kit on a double wall polycarbonate panel per the dimensions given in Table 1.

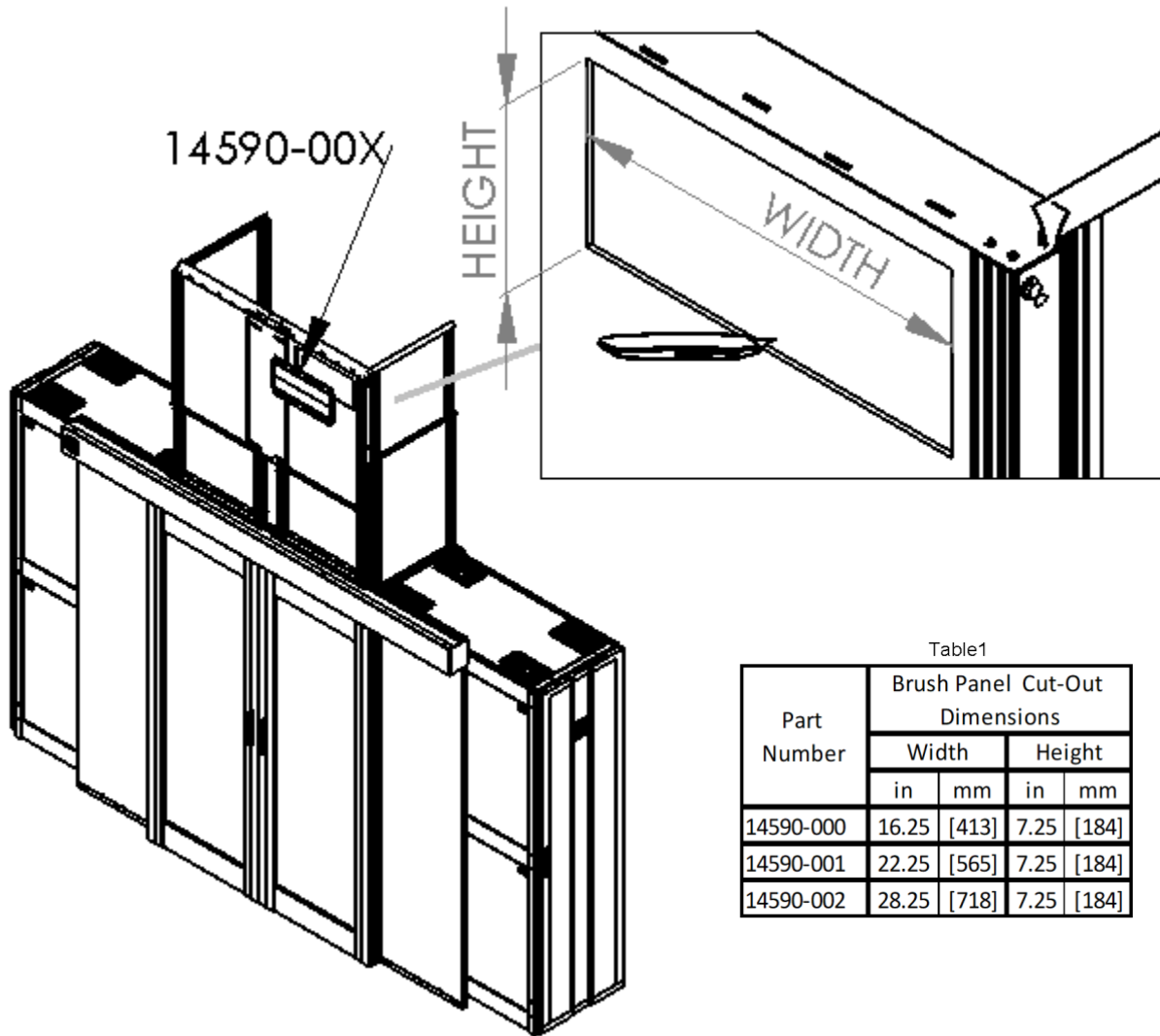
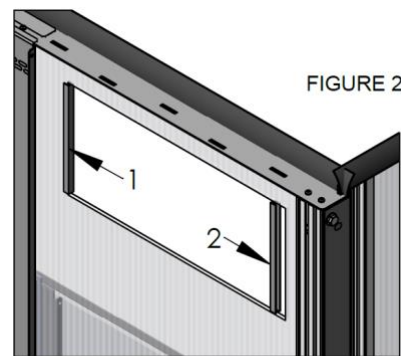


Table1

Part Number	Brush Panel Cut-Out Dimensions			
	Width		Height	
	in	mm	in	mm
14590-000	16.25	[413]	7.25	[184]
14590-001	22.25	[565]	7.25	[184]
14590-002	28.25	[718]	7.25	[184]

2. Install the vertical edge protectors on each side of the opening as shown in Figure 2.



3. Install the lower brush assembly onto the panel as shown in Figure 3. In a similar manner, install the upper brush assembly into the upper edge with the bristles directed downward.

4. Push the vertical edge protectors toward the brush ends to close any gaps.

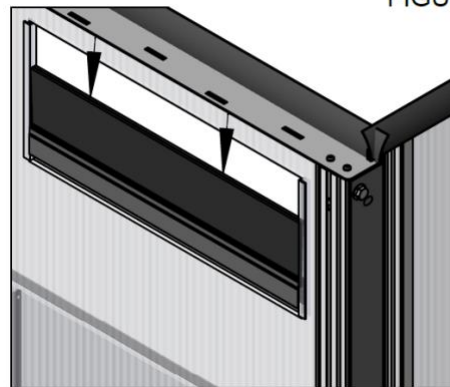


FIGURE 3.

## **ADJUSTABLE CONTAINMENT SOLUTION FOR ROW LEVEL VERTICAL EXHAUST DUCT**

Adjustable Containment Solution Panels mount on top of a row of cabinets to create a Vertical Exhaust Duct. The panels feature a unique telescoping design that allows infinite adjustment within the specified height range. Panels are sized to match the width of each cabinet. Two panels are required per cabinet.

### **Intended Use**

Install this assembly only in a restricted service environment, such as a data center. Use indoors only, in environmentally controlled areas; do not use outdoors, in harsh environments or in air-handling spaces or in direct proximity to unshielded high voltage.

### **Adjustable Containment Solution Panel Requirements:**

The 14500 Adjustable Containment Panel is intended to be used to form a barrier region above a ZetaFrame Cabinets.

This instruction is to be used as a general guideline as the actual field installation will depend on system containment requirements.

The 14500 Adjustable Containment Panels may be used in either Aisle Containment or Row Vertical Exhaust Applications

**Required Tools:**

- #2 Flat Screwdriver
- 13mm Socket wrench

**Included Hardware:**

- M8x16 Serrated Flange Screw
- M8 Serrated Flange Nut
- Upper Panel Baying Bracket

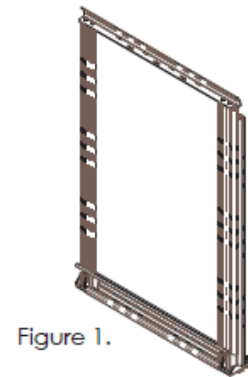


Figure 1.

**Aisle Containment Installation Requirements:**

End of row (EOR) doors (32770-XXX) and Telescoping EOR Panel assemblies (14625-XXX) are required to form a complete Aisle Containment system using the 14500-XXX panels. Telescoping EOR Panels are fixed in width and require correct cabinet to cabinet aisle width spacing.

**Aisle Containment Installation Instruction:**

1. Confirm cabinet aisle width shown in Figure 2 is compatible with the EOR panel assembly (14625-XXX).
2. Anchor and level cabinets to floor. Remove and standard cabinet baying brackets if previously installed.
3. Install telescoping panel to top of cabinet
  - A. Align 4 t-bolts to be parallel with upper frame track as shown in Figure 3.
  - B. Confirm gap space for 4 bolts is .25" +/- .1"

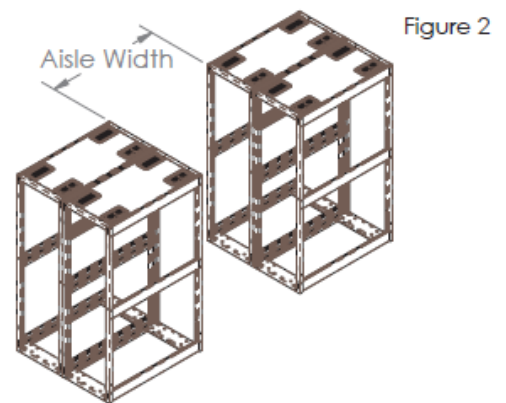


Figure 2

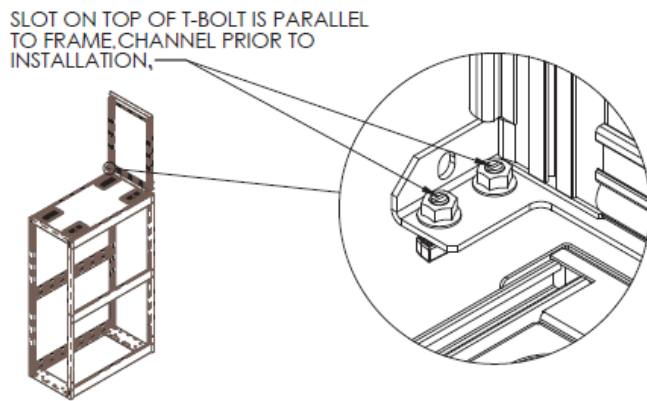


Figure 3

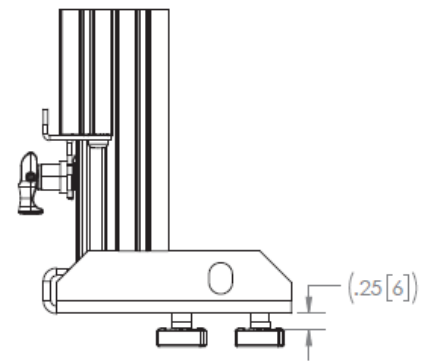
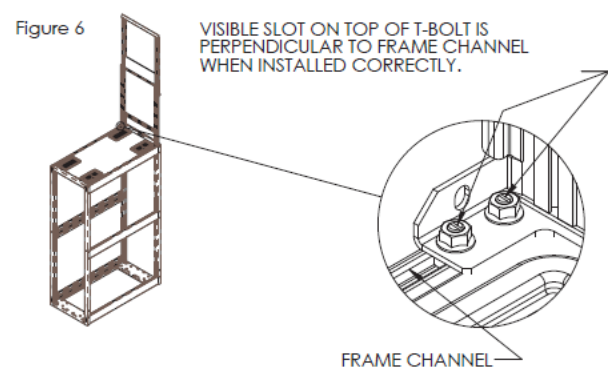
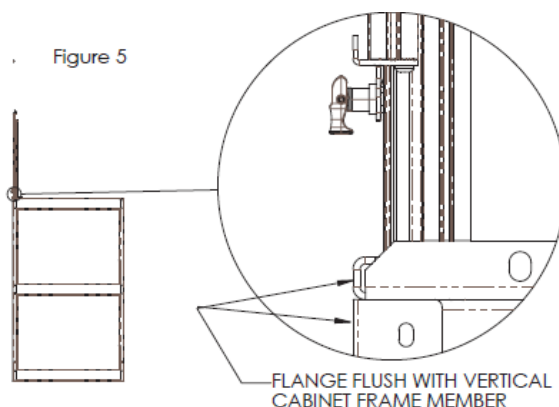


Figure 4.

- C. Locate panel on top of cabinet being careful that all 4 bolts land within the track and are fully seated down in the track
- D. Position the telescoping panel so the front of the base flange is flush with the vertical
- E. cabinet frame members as shown in Figure 5.
- F. Use a 13mm socket wrench to secure the panel system to the cabinet frame. Confirm that the slot on the top of the T-Bolt is oriented as shown in Figure 6. Torque is 25 ft-lb [34NM]. If required, loosen the nut, push the bolt down into the track and re-tighten and re-check for proper orientation.



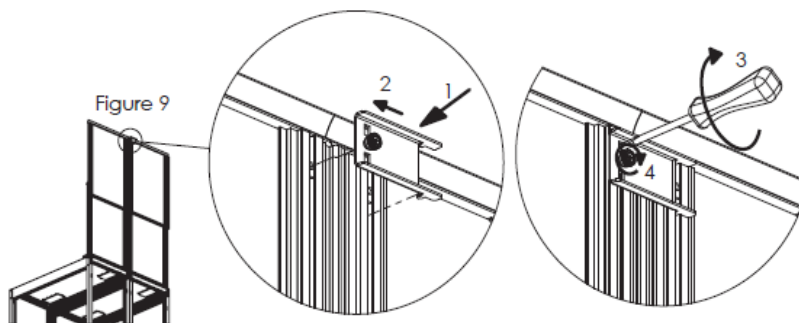
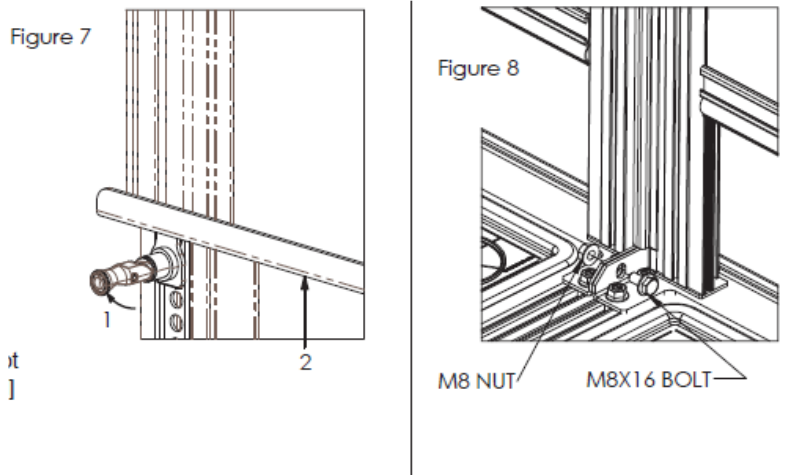
#### 4. Raise the upper panel

- A. Pull the plunger levers to retract the indexing pins on both sides of the panel as shown in Figure 7.
- B. With hands on both sides of the upper panel's lower frame, raise the upper panel.
- C. Lower the plunger levers and move the panel vertically to the highest indexing position the ceiling allows. Confirm adjacent panels are raised to consistent and pin locks into position.



## 5. Bay adjacent cabinets

- A. Use M8X16 Bolt and M8 flange nut to bay adjacent cabinets to each other through the slot as shown in Figure 8. Torque to 25 ft-lb [34NM]
- B. Tie upper panels use baying bracket shown in Figure 9. If required, use a screwdriver to compress the bulb seal between the adjacent cabinets.



### Row Level Vertical Exhaust Duct Installation Requirements

- Two Telescoping Containment panels are required per cabinet for a Row Level Vertical Exhaust Duct installation.
- A pair of 14520-XXX Telescoping Row Level Duct end panels (purchased separately) are required to seal the end of row when the panels are configured as an exhaust ducts system.
- ZetaFrame Cabinet must be configured with a VED top panel and a solid rear door.

### Row Level Vertical Exhaust Duct Installation Steps:

1. Install Panel 1 along the rear of the cabinet frame as described in the Aisle Containment instructions.

2. Install Panel 2 with lower flange oriented opposite first panel and spaced as shown in Figure 10. Note: End exhaust duct will not mount or seal correctly if this panel is not installed as shown.
3. Follow instructions included with the 14520-XXX End of Row Duct Panels to complete duct assembly installation.

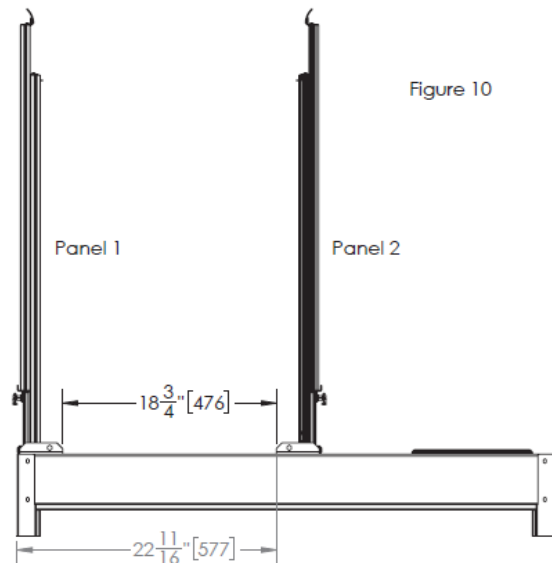
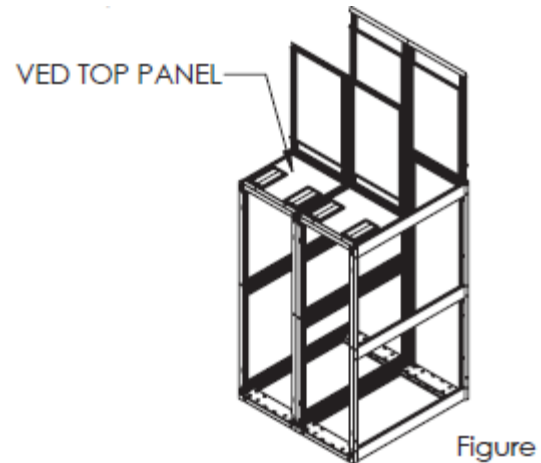


Figure 10



Figure

### Adjustable Containment Solution End of Row Duct Panels for Row Level Vertical Exhaust Duct (VED)

(14520-XXX) Adjustable Containment Solution End of Row Duct Panels for Row Level Vertical Exhaust Duct (VED) mount to the top of a single row of cabinets to create a shared Vertical Exhaust Duct. The panels allow infinite adjustment within the specified height range.

The panels mount to the side of 14500-XXX Adjustable Containment Solution Panels to create the Vertical Exhaust Duct. Two kits are required per row to complete both ends of the duct.

#### Intended Use

Install this assembly only in a restricted service environment, such as a data center. Use indoors only, in environmentally controlled areas; do not use outdoors, in harsh environments or in air-handling spaces or in direct proximity to unshielded high voltage.

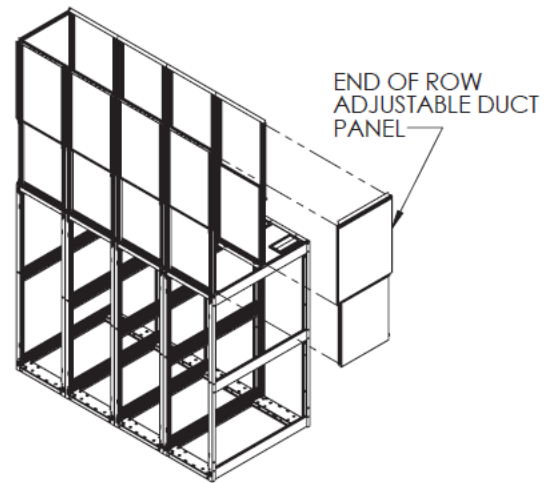
The 14520-XXX End of Row Adjustable Duct Panel is intended to be used in conjunction with 14500-XXX Containment Panels to form an Exhaust Duct above a row of ZetaFrame Cabinets. This instruction is to be used as a general guideline as the actual field installation will depend on system containment requirements.

**Required Tools:**

- 13mm Socket wrench
- Utility knife

**Included Hardware:**

- QTY(10) M8x12 Serrated Flange Screw

**INSTALLATION INSTRUCTIONS:**

1. Attach the lower panel (with 6 slots) to the containment extrusion channels using 6 of the provided M8x12 serrated screws as shown in Figure 2.

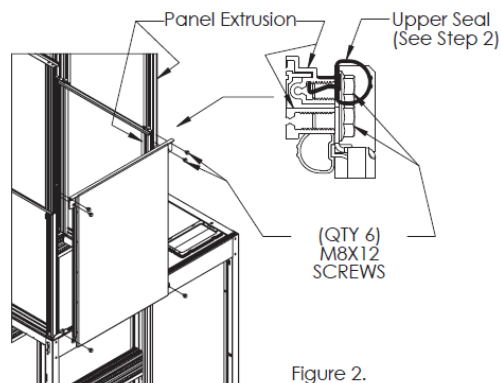


Figure 2.

2. Measure Dimension A from top of lower panel to the lower edge of the upper cabinet panel flange as shown in Figure 3. Cut Qty (2) bulb seals 1 in (25mm) shorter than Dimension A. Install Seal as shown.

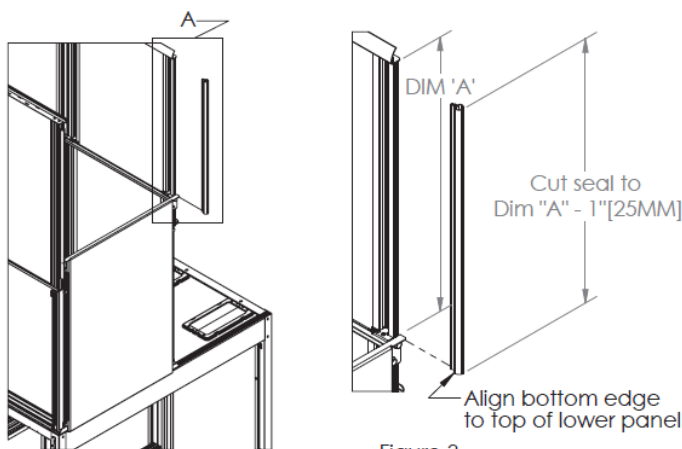
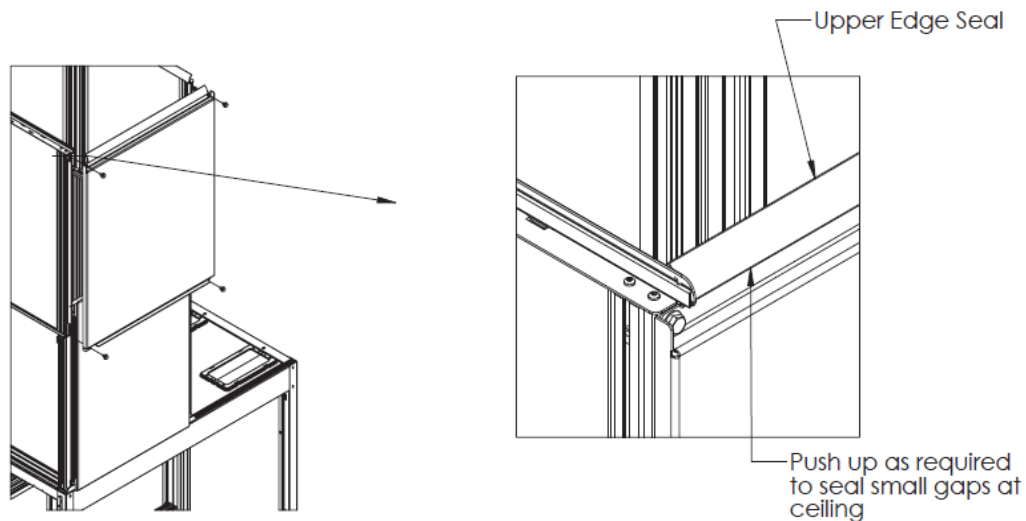


Figure 3.

3. Attach the upper panel (4 Slots) to the containment panels as shown in Figure 4 with the remaining 4 M8x12 serrated screws.
4. If required, push upper rubber edge seal upwards to close any small air gaps.



Adjustable Containment Solution Brush Kit

## AISLE CONTAINMENT FLOOR SEAL KITS

### INTRODUCTION

Aisle Containment Floor Seal Kits are used around the bottoms of the cabinets to seal the gaps between the floor and the bottoms of the cabinets. A cabinet-specific kit is available for ZetaFrame cabinets.

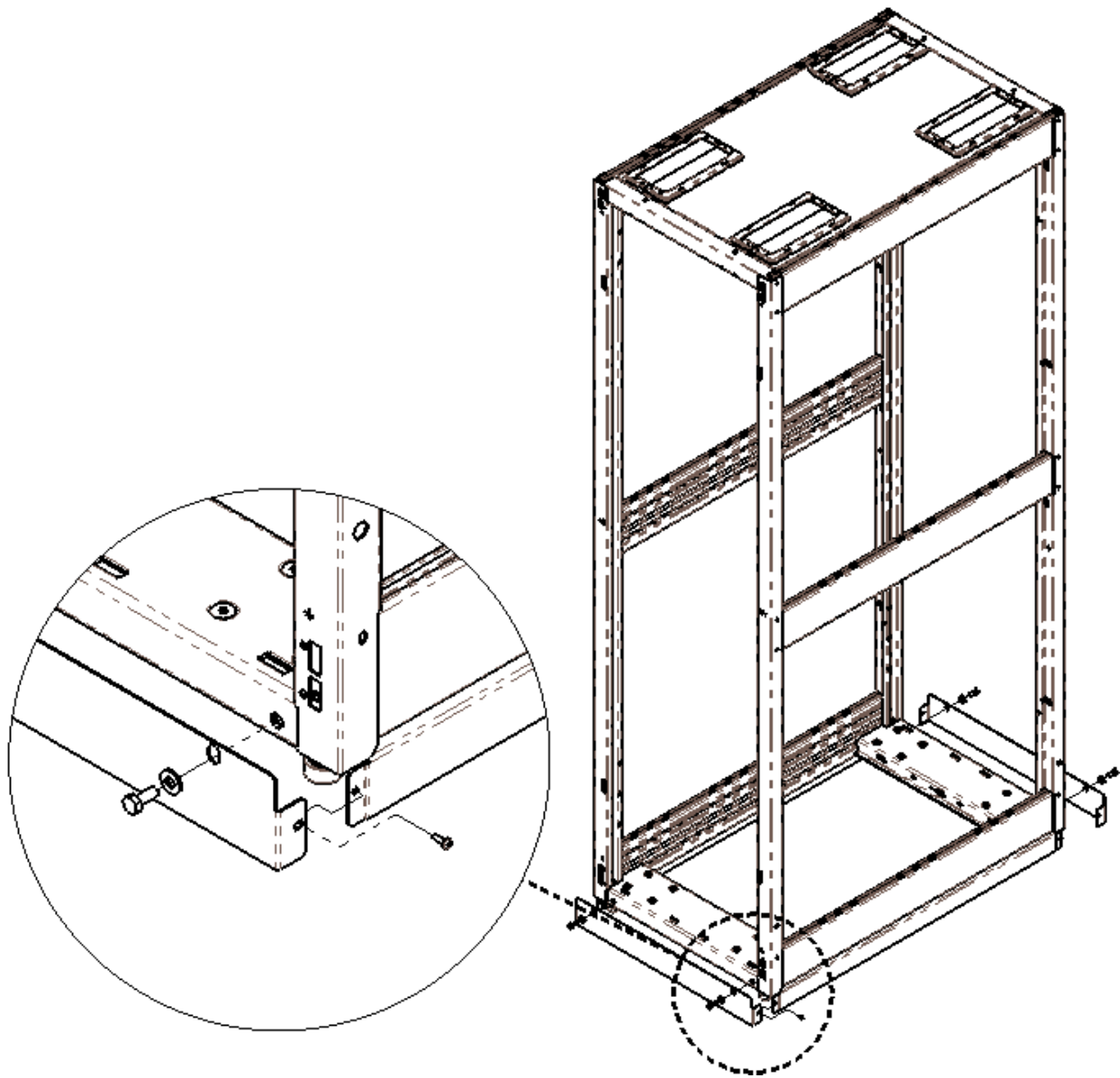
### FOR ZETAFRAME CABINETS

#### Included Hardware:

M8 Hex Head Bolt, 4 ea. (included with 39996 front seal kit)

M8 Washer, 4 ea. (included with 39996 front seal kit)

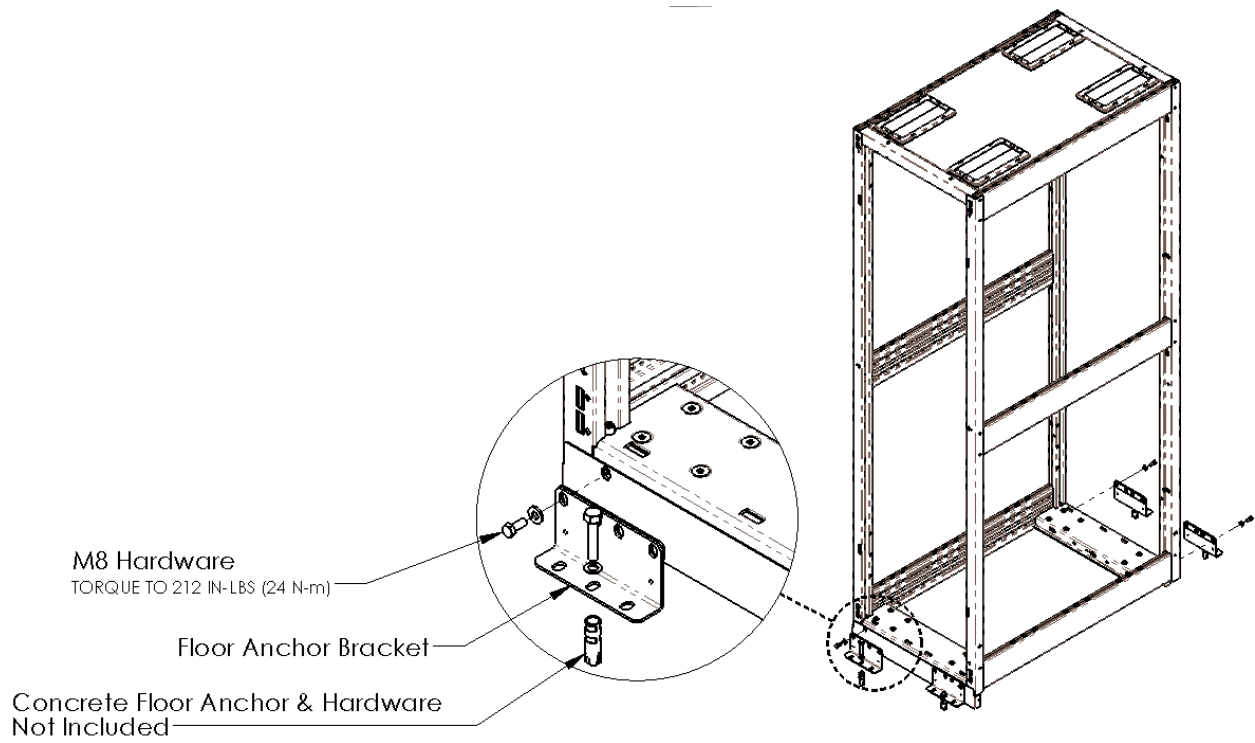
M4 Screw, 4 ea. (included with 39997 side seal kit)



The Floor Seal Kits can be used with Floor Anchor Kits.

1. Attach the front bottom seals and floor anchor kits to both front & rear bottom members using M8 bolts and washers as shown below.
2. Attach the side seals to the front seals using the M4 screws.
3. Attach the anchor brackets to the floor using 3/8" or M10 hardware (not included) for the type of floor at installation site.

Note: The side seal kit is only needed for single cabinets or on the outer side of end-of-the-row bayed cabinets.



## ACCESSORIES

For Elevate™ Adjustable Containment Solution

34537-E02	1U x 19"EIA, Pack of 50, Glacier White
34537-702	1U x 19"EIA, Pack of 50, Black
34538-E02	2U x 19"EIA, Pack of 50, Glacier White
34538-702	2U x 19"EIA, Pack of 50, Black
13671-001	Raised Floor Grommets, Each, Black
13671-002	Raised Floor Grommets, Pack of 10, Black