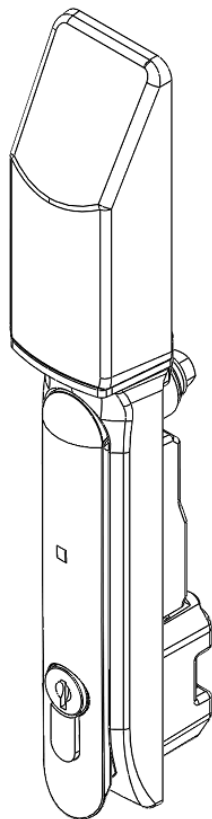


Installation Instructions

RFID ELECTRONIC LOCK KIT FOR ZETAFRAME CABINET WITH SINGLE DOORS

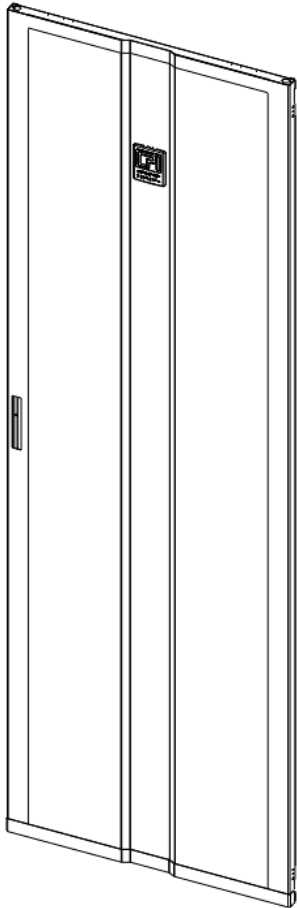


Installation Instructions

RFID ELECTRONIC LOCK KIT FOR SINGLE DOORS

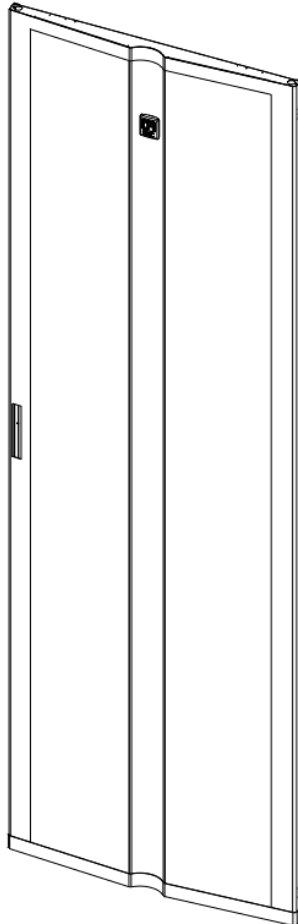
ZETAFRAME STYLE FRONT DOOR

(024-739780 & CUSTOM DERIVATIVES)



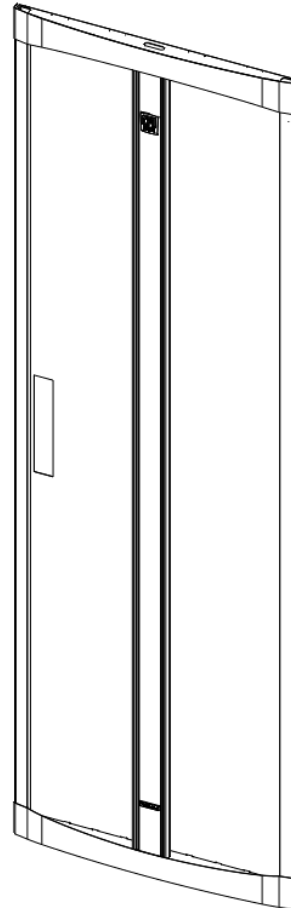
GLOBALFRAME STYLE FRONT DOOR

(024-739956 & CUSTOM DERIVATIVES)



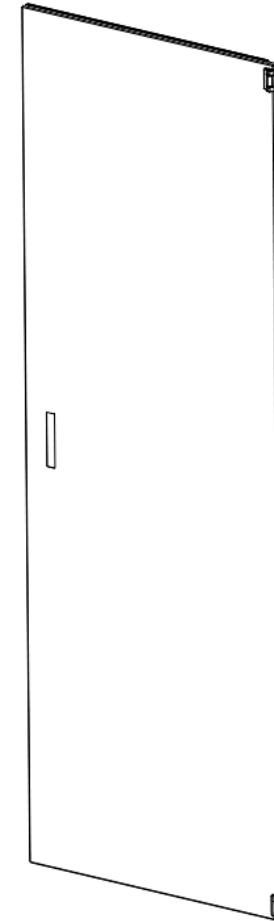
TERAFRAME STYLE FRONT DOOR

(024-739855 & CUSTOM DERIVATIVES)



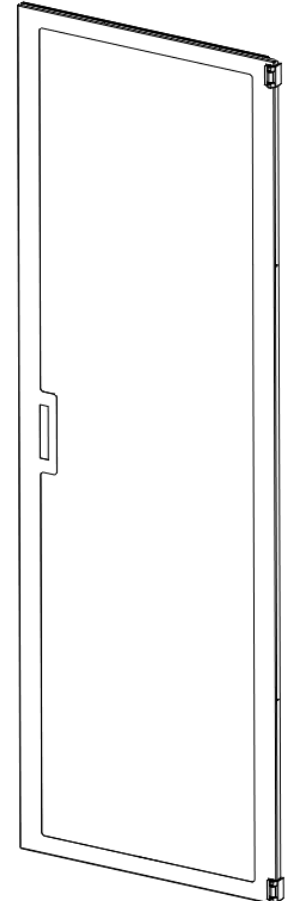
SOLID FLAT DOOR

(024-739868 &
CUSTOM DERIVATIVES)



PLEXI FLAT DOOR

(024-739889 &
CUSTOM DERIVATIVES)

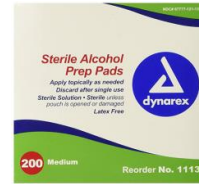


FOR DOUBLE DOOR INSTRUCTION SEE MIS-738683

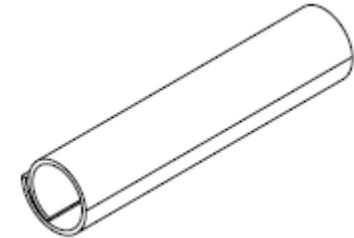
Installation Instructions

RFID ELECTRONIC LOCK KIT FOR SINGLE DOORS

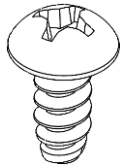
PARTS LIST - HARDWARE



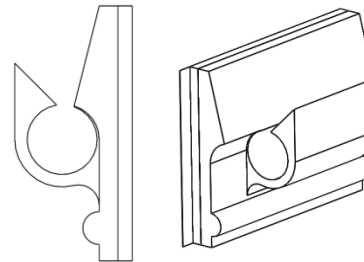
ALCOHOL WIPE



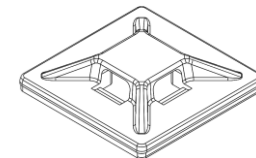
**BRAIDED CABLE WRAP SLEEVE
QTY(1)**



**#4 TAPTITE SCREW
QTY(4)**

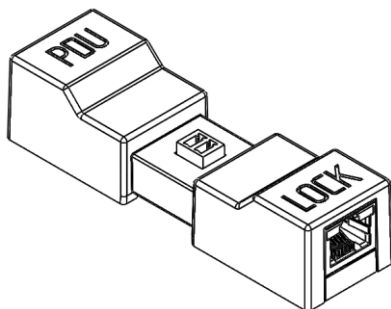


ADHESIVE WIRE CLIP

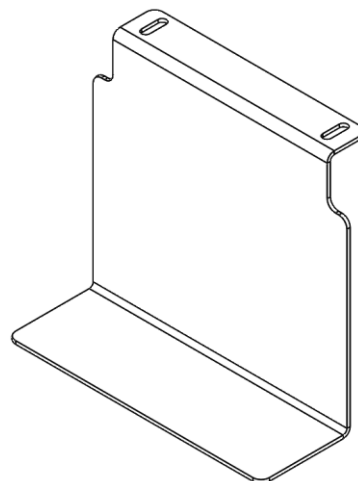


**ADHESIVE CABLE TIE
WIRE CLIP**

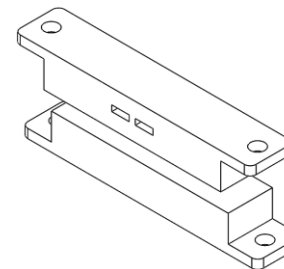
CABLE TIES ALSO INCLUDED BUT NOT PICTURED



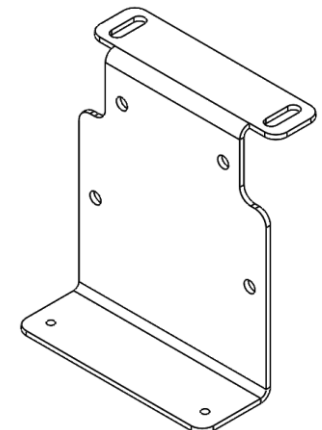
**CAN BUS MODULE
QTY(1)**



**CAN BUS BRACKET
QTY(1)
(NOT INCLUDED FOR TERAFRAME DOOR)**



**SENSOR KIT
QTY(1)
ALSO INCLUDED BUT NOT PICTURED:
QTY(4) #2 SCREWS
QTY(1) SENSOR WIRE**

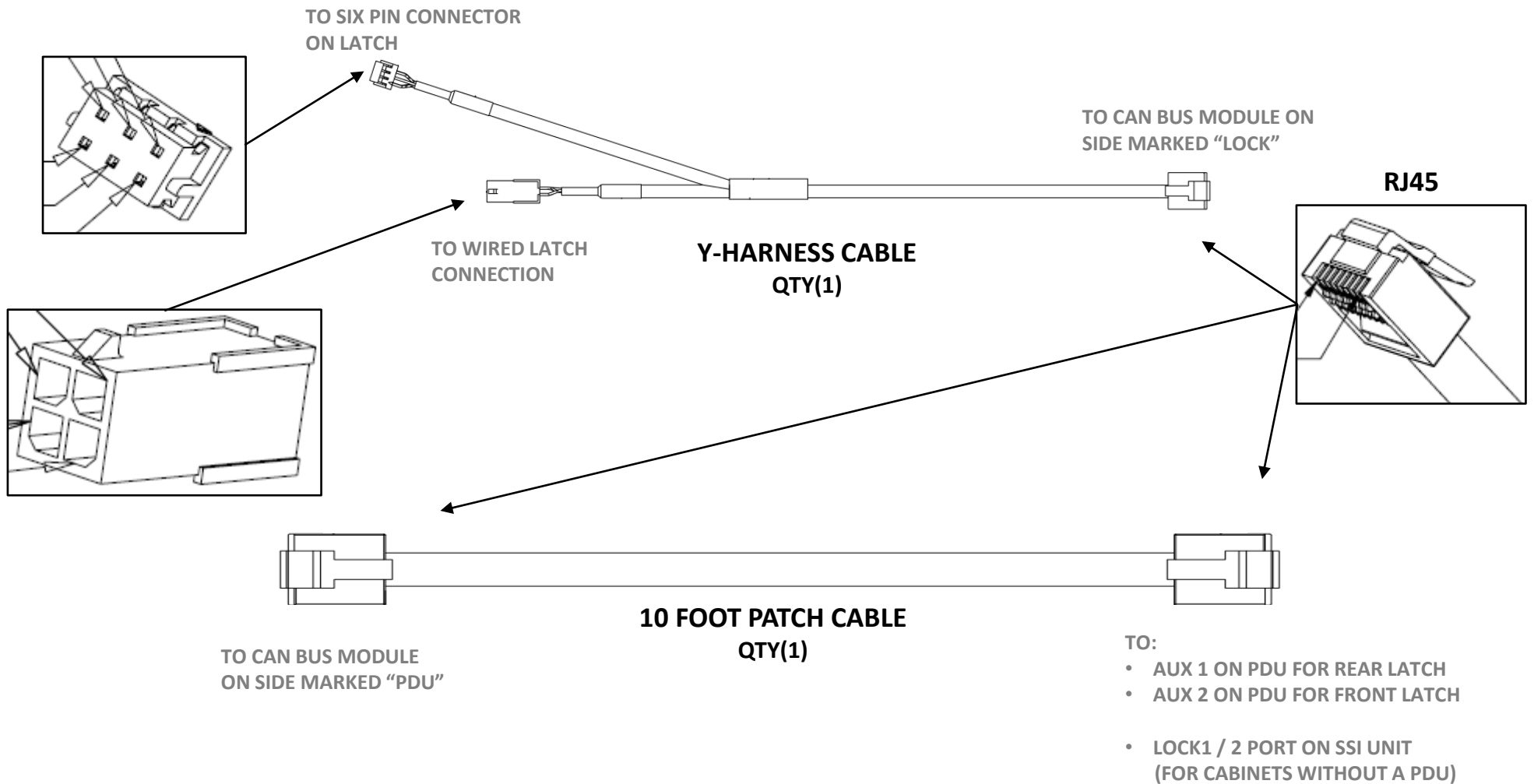


**SENSOR BRACKET
QTY(1)**

Installation Instructions

RFID ELECTRONIC LOCK KIT FOR SINGLE DOORS

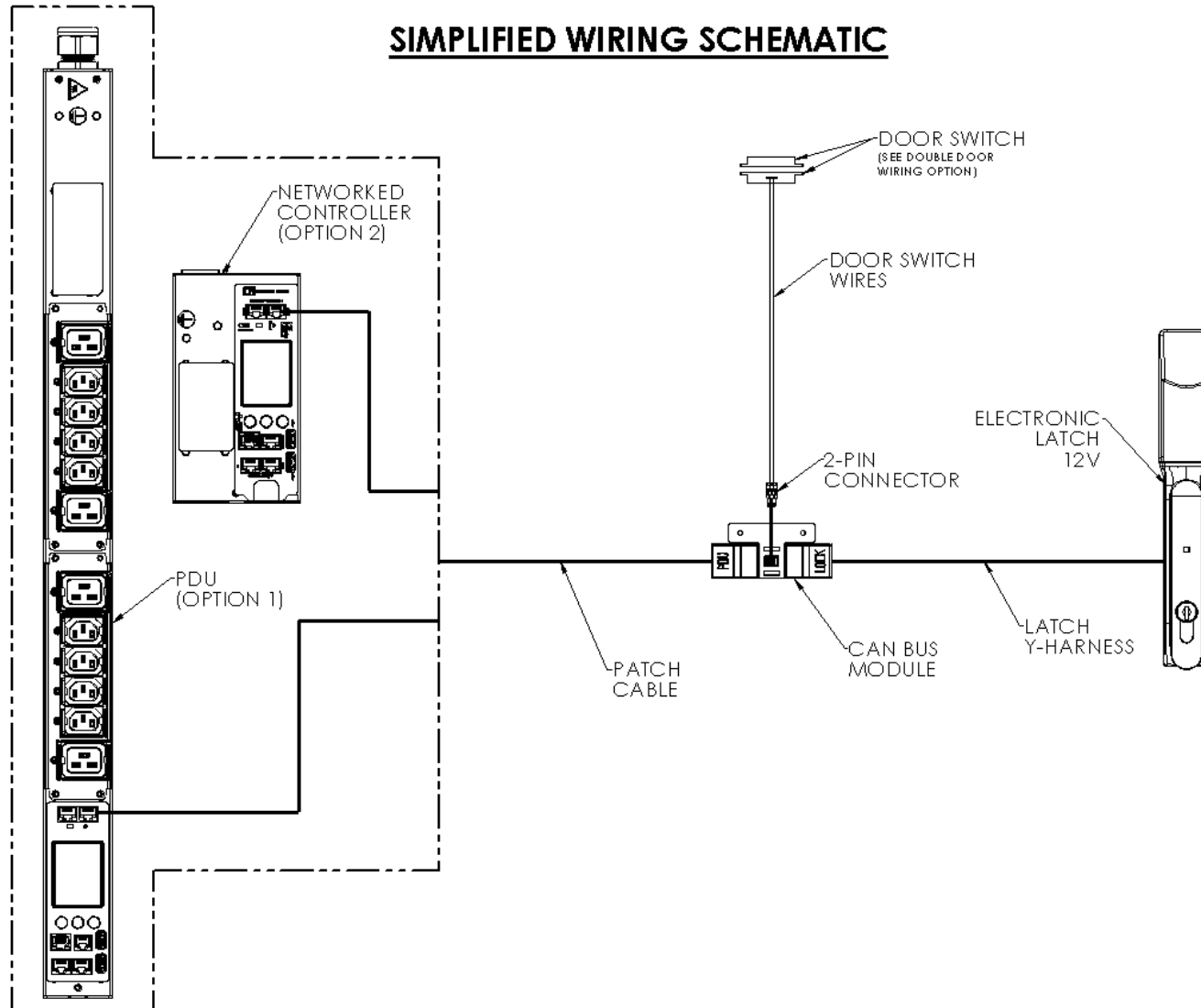
PARTS LIST - WIRING



Installation Instructions

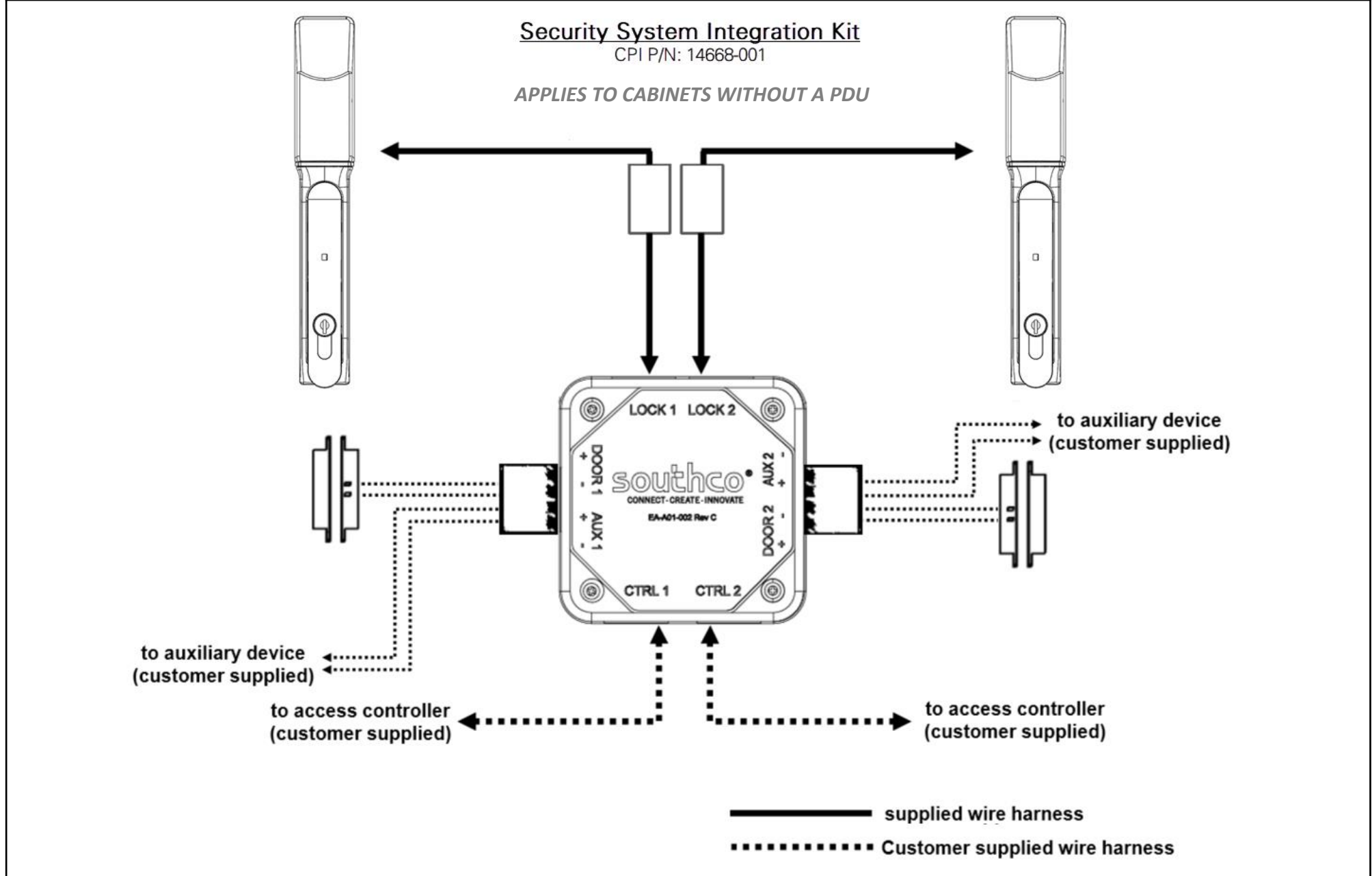
RFID ELECTRONIC LOCK KIT FOR SINGLE DOORS

SIMPLIFIED WIRING SCHEMATIC



Installation Instructions

RFID ELECTRONIC LOCK KIT FOR SINGLE DOORS



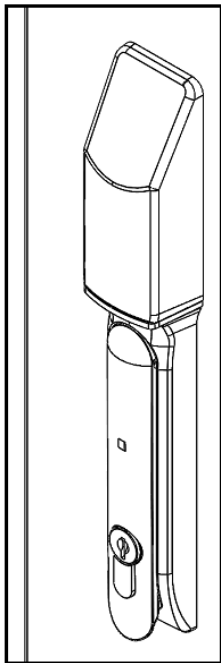
Installation Instructions

RFID ELECTRONIC LOCK KIT FOR SINGLE DOORS

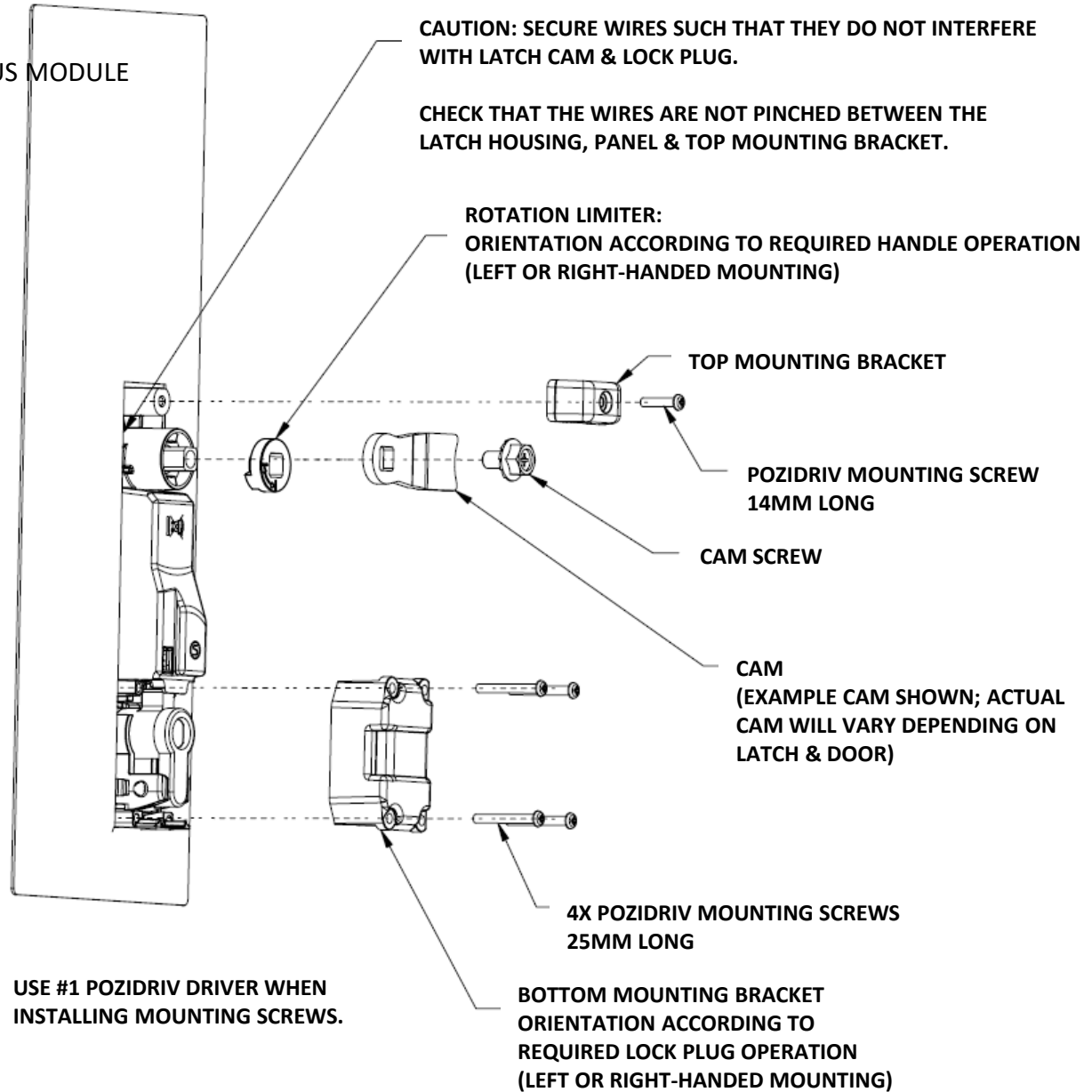
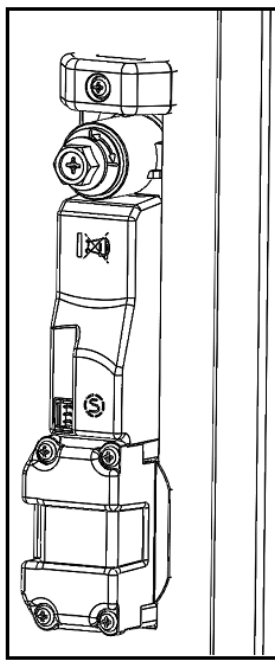
1. **INSTALL LATCH**
2. INSTALL SENSOR BRACKET & CAN BUS BRACKET
3. INSTALL DOOR SENSOR, FRAME SENSOR & CAN BUS MODULE
4. WIRE FROM CAN BUS MODULE TO PDU
5. WIRE SENSORS TO CAN BUS
6. WIRE CAN BUS MODULE TO LATCH

IF INSTALLING A TWO-POINT LATCH ON A ZETAFRAME DOOR (024-739971), DO NOT INSTALL THE CAM & LOCK BAR YET. INSTALL THE LATCH ONLY, THE CAM & LOCK BAR WILL BE INSTALLED AS THE LAST STEP OVER THE WIRING.

OUTSIDE VIEW



INSIDE VIEW



Installation Instructions

RFID ELECTRONIC LOCK KIT FOR SINGLE DOORS

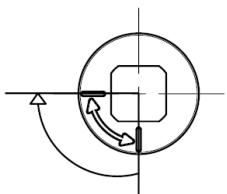
1. **INSTALL LATCH**
2. INSTALL SENSOR BRACKET & CAN BUS BRACKET
3. INSTALL DOOR SENSOR, FRAME SENSOR & CAN BUS MODULE
4. WIRE FROM CAN BUS MODULE TO PDU
5. WIRE SENSORS TO CAN BUS
6. WIRE CAN BUS MODULE TO LATCH

FOR INSTALLATION OF ROTATION LIMITER

- VIEWED FROM BACK -

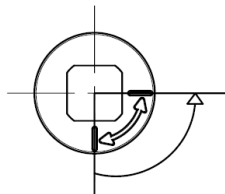
STANDARD CONFIGURATION

OPTION 1



LEFT-HAND MOUNTING
TO OPEN: TURN HANDLE 90°
COUNTER-CLOCKWISE IF VIEWED
FROM FRONT

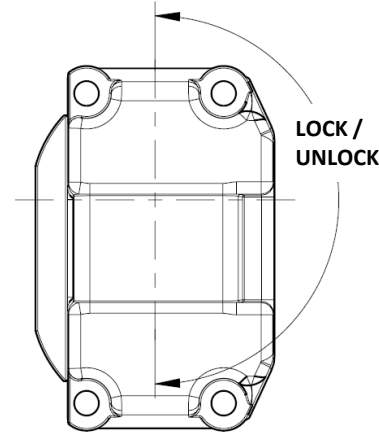
OPTION 2



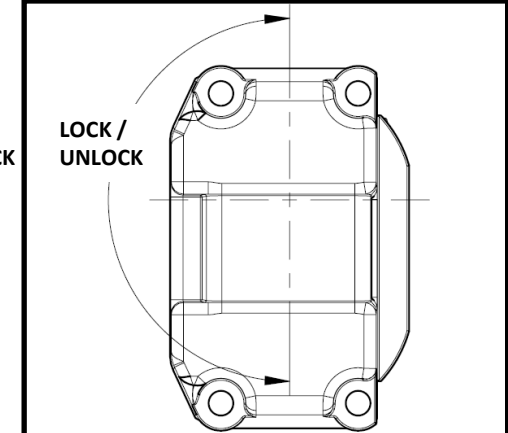
RIGHT-HAND MOUNTING
TO OPEN: TURN HANDLE 90°
CLOCKWISE IF VIEWED FROM
FRONT

FOR INSTALLATION OF BOTTOM MOUNTING BRACKET

STANDARD CONFIGURATION



LEFT-HAND MOUNT



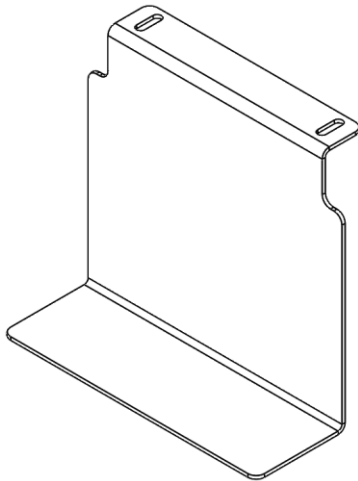
RIGHT-HAND MOUNT

OPERATION OF LOCK PLUG CORRESPONDS WITH
ORIENTATION OF BOTTOM MOUNTING BRACKET

Installation Instructions

RFID ELECTRONIC LOCK KIT FOR SINGLE DOORS

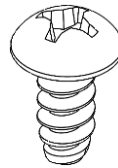
1. INSTALL LATCH
2. **INSTALL SENSOR BRACKET & CAN BUS BRACKET**
3. INSTALL DOOR SENSOR, FRAME SENSOR & CAN BUS MODULE
4. WIRE FROM CAN BUS MODULE TO PDU
5. WIRE SENSORS TO CAN BUS
6. WIRE CAN BUS MODULE TO LATCH



CAN BUS BRACKET

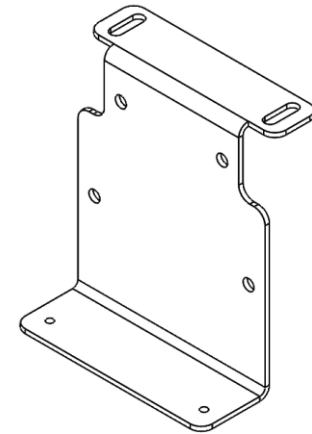
QTY(1)

(NOT INCLUDED FOR TERAFRAME DOOR)



#4 TAPTITE SCREW

QTY(4)



SENSOR BRACKET

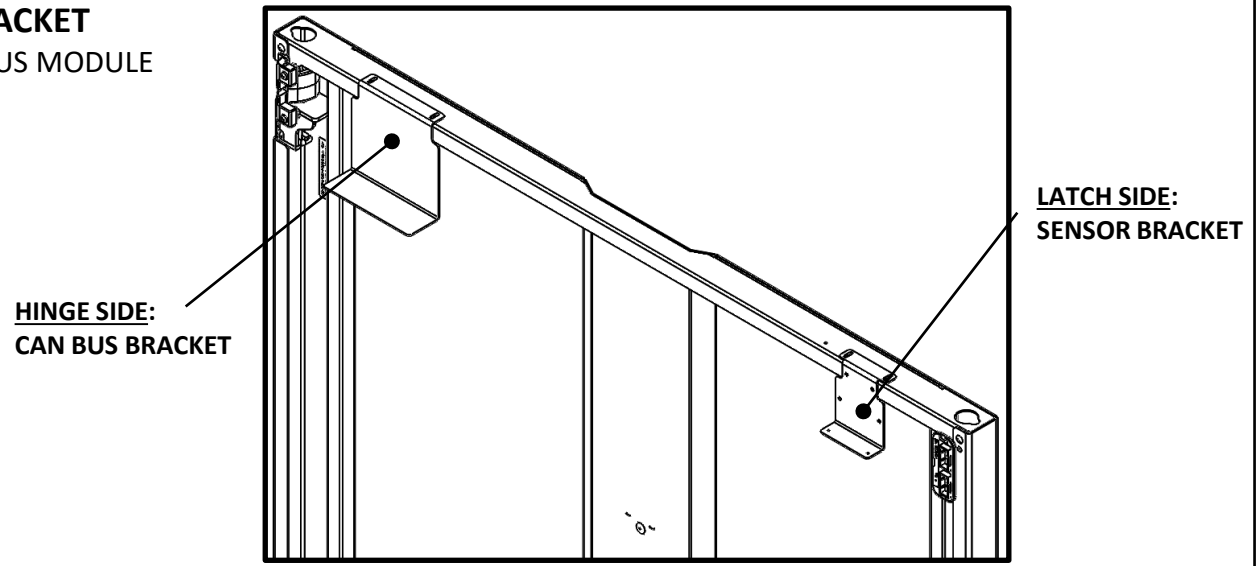
QTY(1)



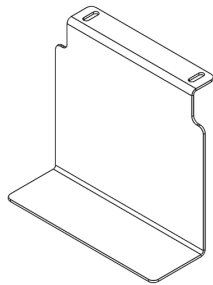
Installation Instructions

RFID ELECTRONIC LOCK KIT FOR SINGLE DOORS

1. INSTALL LATCH
2. **INSTALL SENSOR BRACKET & CAN BUS BRACKET**
3. INSTALL DOOR SENSOR, FRAME SENSOR & CAN BUS MODULE
4. WIRE FROM CAN BUS MODULE TO PDU
5. WIRE SENSORS TO CAN BUS
6. WIRE CAN BUS MODULE TO LATCH



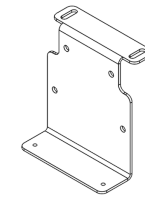
TOP VIEW OF DOOR



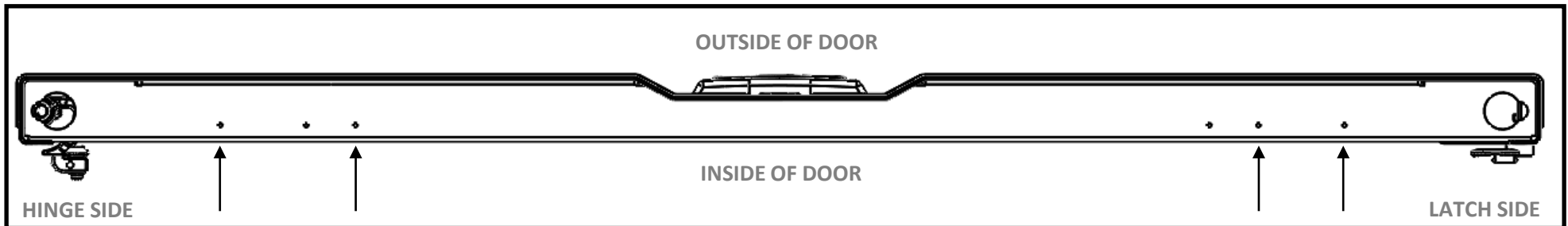
CAN BUS BRACKET
(NOT REQUIRED FOR TF DOOR)



#4 TAPTITE SCREW
2X PER BRACKET



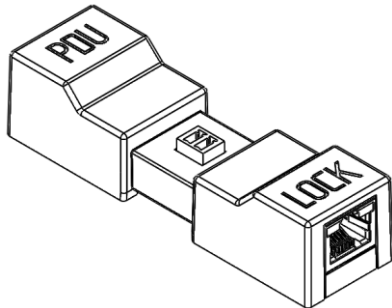
SENSOR BRACKET



Installation Instructions

RFID ELECTRONIC LOCK KIT FOR SINGLE DOORS

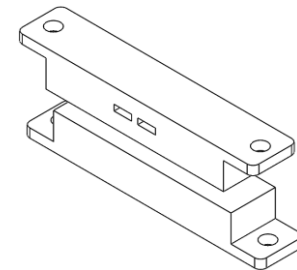
1. INSTALL LATCH
2. INSTALL SENSOR BRACKET & CAN BUS BRACKET
- 3. INSTALL DOOR SENSOR, FRAME SENSOR & CAN BUS MODULE**
4. WIRE FROM CAN BUS MODULE TO PDU
5. WIRE SENSORS TO CAN BUS
6. WIRE CAN BUS MODULE TO LATCH



CAN BUS MODULE
QTY(1)



ALCOHOL WIPE



SENSOR KIT
QTY(1)
ALSO INCLUDED BUT NOT PICTURED:
QTY(4) #2 SCREWS
QTY(1) SENSOR WIRE

Installation Instructions

RFID ELECTRONIC LOCK KIT FOR SINGLE DOORS

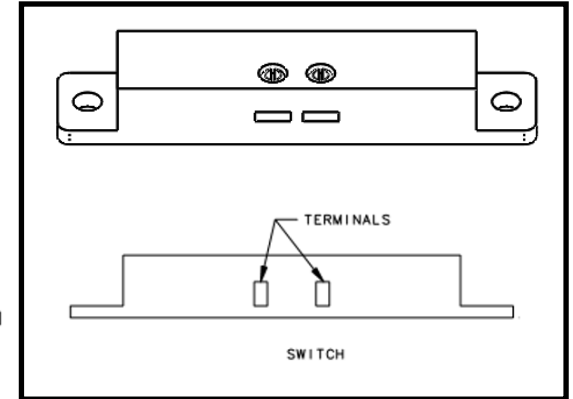
1. INSTALL LATCH
2. INSTALL SENSOR BRACKET & CAN BUS BRACKET
- 3. INSTALL DOOR SENSOR, FRAME SENSOR & CAN BUS MODULE**
4. WIRE FROM CAN BUS MODULE TO PDU
5. WIRE SENSORS TO CAN BUS
6. WIRE CAN BUS MODULE TO LATCH

3B. REMOVE ADHESIVE BACKING FROM THE CORRECT SENSOR.

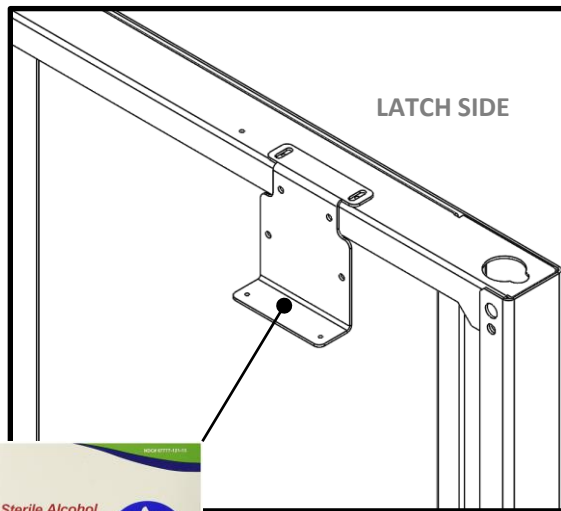
FRAME SIDE SENSOR



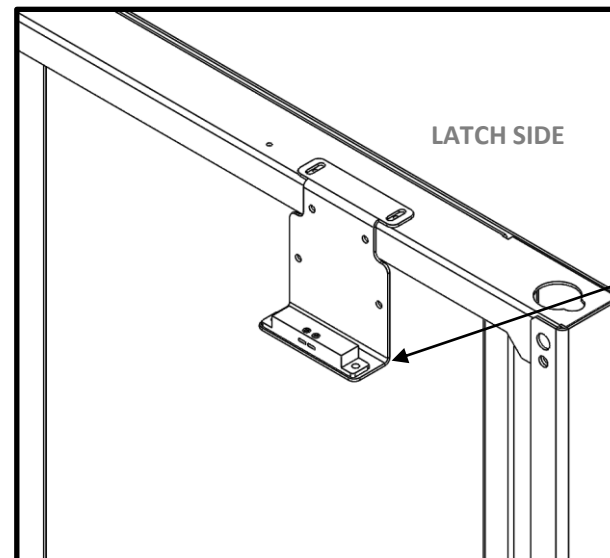
DOOR SIDE SENSOR



3A. WIPE DOWN SENSOR BRACKET SURFACE WITH ALCOHOL WIPE.



3C. INSTALL SENSOR ONTO SENSOR BRACKET WITH TERMINALS FACING OUT.



USE (2X) #2 SCREWS INCLUDED WITH SENSOR KIT.

MAGNET

TERMINALS

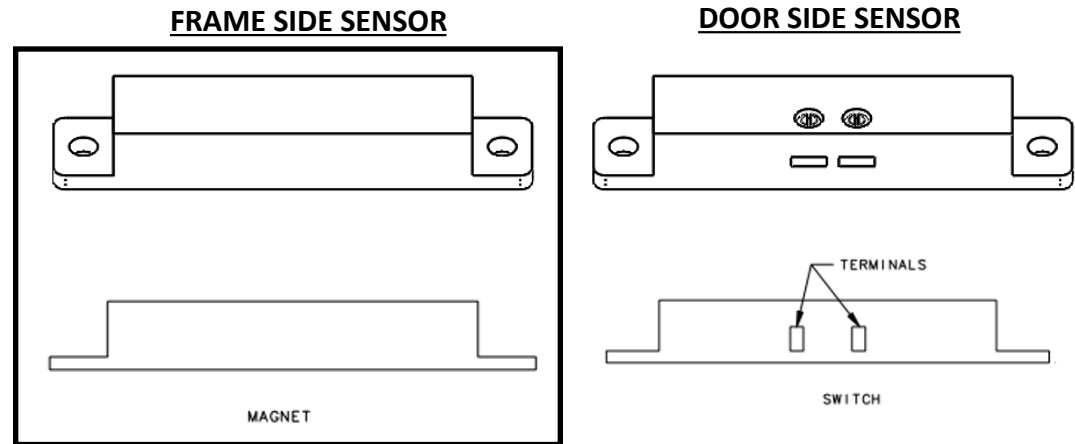
SWITCH

Installation Instructions

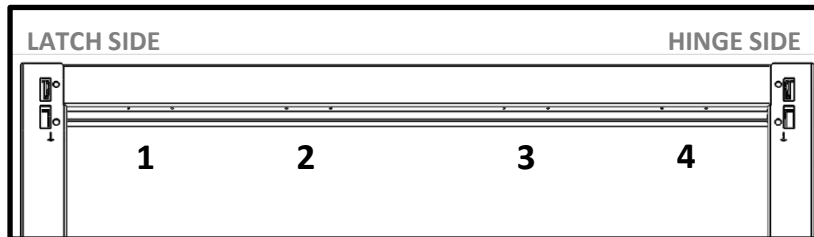
RFID ELECTRONIC LOCK KIT FOR SINGLE DOORS

1. INSTALL LATCH
2. INSTALL SENSOR BRACKET & CAN BUS BRACKET
- 3. INSTALL DOOR SENSOR, FRAME SENSOR & CAN BUS MODULE**
4. WIRE FROM CAN BUS MODULE TO PDU
5. WIRE SENSORS TO CAN BUS
6. WIRE CAN BUS MODULE TO LATCH

3E. REMOVE ADHESIVE BACKING FROM THE CORRECT SENSOR.



3D. VIEW OF TOP FRAME LATERAL FROM UNDERNEATH. LOCATE THE CORRECT FRAME MOUNTING HOLES FOR THE FRAME SENSOR. PREP SURFACE WITH ALCOHOL WIPE.



USE POSITION 1 FOR:

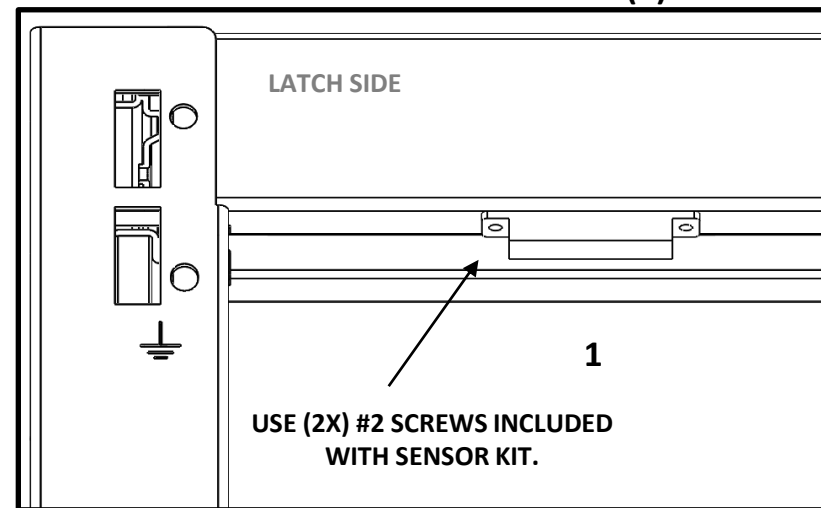
- ALL OTHER LATCHES

USE POSITION 2 FOR:

- TF DOOR W TWO-POINT LATCH
- SINGLE SOLID DOOR
- DOUBLE DOORS



3F. INSTALL THE MAGNET SENSOR ON THE LATCH SIDE IN POSITION (1).



IIS-738669, Rev. 2, J. GREESON

800-834-4969 (USA & Canada) • www.chatsworth.com • techsupport@chatsworth.com
For international phone numbers, see our website or contact CPI Tech Support.

This drawing contains proprietary and confidential information and is protected by U.S. and international law. Unauthorized reproduction, disclosure or use of the drawing or the information therein is expressly forbidden except as agreed to in writing by Chatsworth Products, Inc.

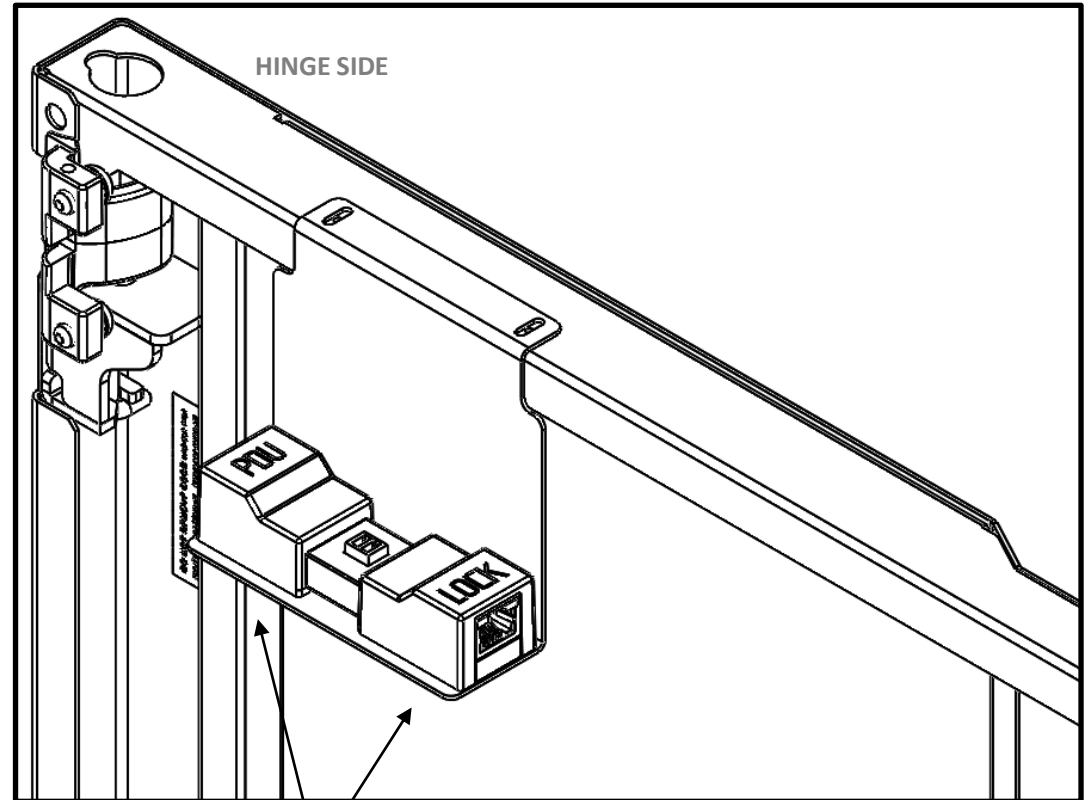
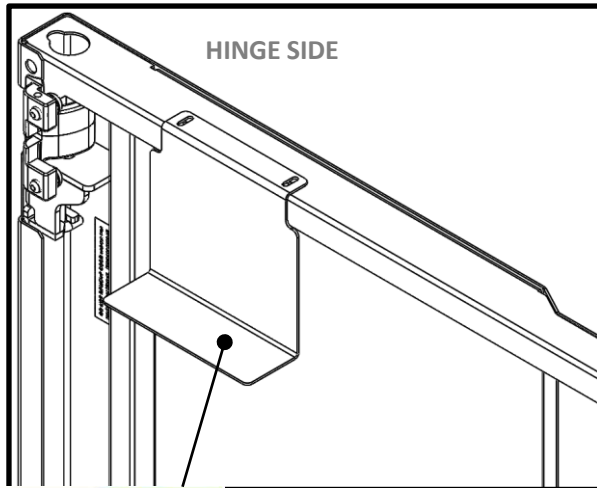
Installation Instructions

RFID ELECTRONIC LOCK KIT FOR SINGLE DOORS

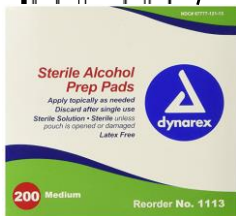
1. INSTALL LATCH
2. INSTALL SENSOR BRACKET & CAN BUS BRACKET
- 3. INSTALL DOOR SENSOR, FRAME SENSOR & CAN BUS MODULE**
4. WIRE FROM CAN BUS MODULE TO PDU
5. WIRE SENSORS TO CAN BUS
6. WIRE CAN BUS MODULE TO LATCH

3H. REMOVE ADHESIVE BACKING FROM CAN BUS MODULE & INSTALL ON TO BRACKET AS SHOWN.

3G. WIPE DOWN CAN BUS BRACKET SURFACE WITH ALCOHOL WIPE.



CRITICAL!
BE SURE THAT THE SIDE LABELED "LOCK" IS ORIENTED TOWARD THE LATCH & THE SIDE LABELED "PDU" IS ORIENTED TOWARD THE HINGES.

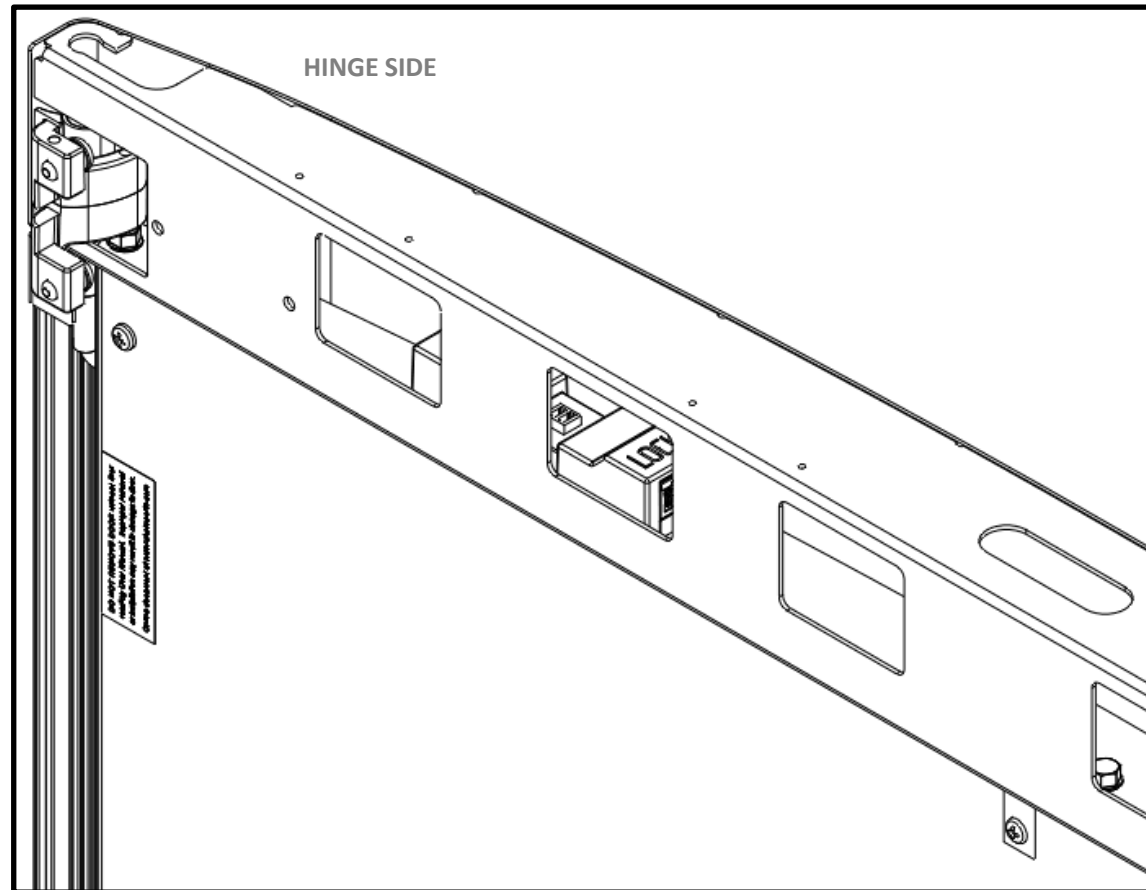


Installation Instructions

RFID ELECTRONIC LOCK KIT FOR SINGLE DOORS

1. INSTALL LATCH
2. INSTALL SENSOR BRACKET & CAN BUS BRACKET
- 3. INSTALL DOOR SENSOR, FRAME SENSOR & CAN BUS MODULE**
4. WIRE FROM CAN BUS MODULE TO PDU
5. WIRE SENSORS TO CAN BUS
6. WIRE CAN BUS MODULE TO LATCH

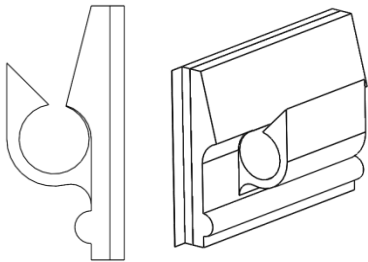
3G. FOR A TERAFRAME DOOR, REMOVE ADHESIVES ON CAN BUS MODULE & PLACE INSIDE THE TOP DOOR LATERAL, NEAR THE HINGES AS SHOWN.



Installation Instructions

RFID ELECTRONIC LOCK KIT FOR SINGLE DOORS

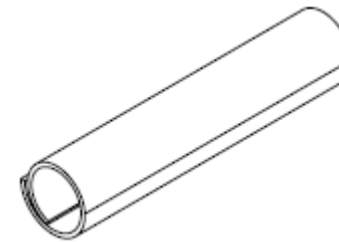
1. INSTALL LATCH
2. INSTALL SENSOR BRACKET & CAN BUS BRACKET
3. INSTALL DOOR SENSOR, FRAME SENSOR & CAN BUS MODULE
- 4. WIRE FROM CAN BUS MODULE TO PDU**
5. WIRE SENSORS TO CAN BUS
6. WIRE CAN BUS MODULE TO LATCH



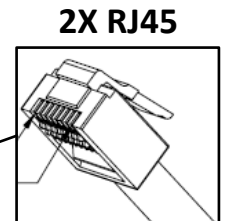
ADHESIVE WIRE CLIP



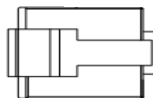
ALCOHOL WIPE



**BRAIDED CABLE WRAP SLEEVE
QTY(1)**

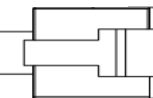


2X RJ45



**TO CAN BUS MODULE
ON SIDE MARKED "PDU"**

**10 FOOT PATCH CABLE
QTY(1)**



TO:

- AUX 1 ON PDU FOR REAR LATCH
- AUX 2 ON PDU FOR FRONT LATCH

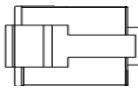
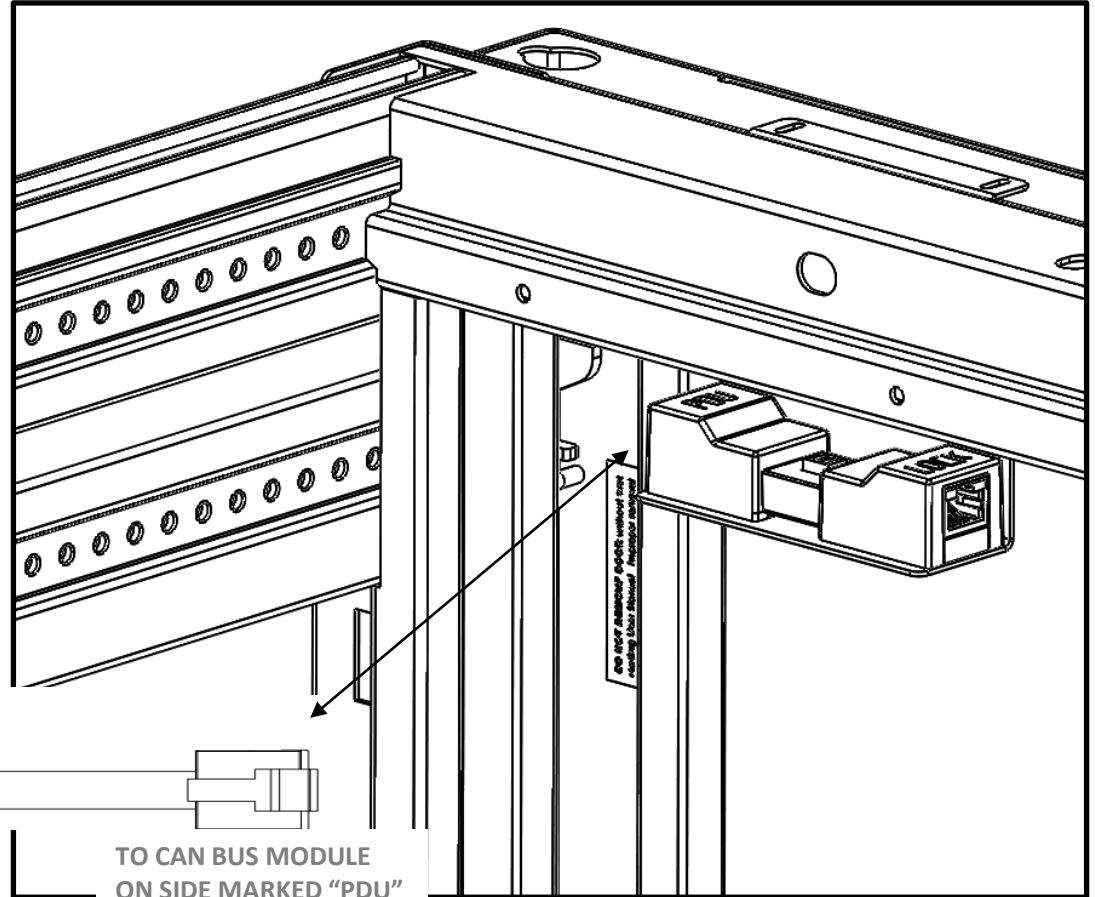
- LOCK1 / 2 PORT ON SSI UNIT
(FOR CABINETS WITHOUT A PDU)

Installation Instructions

RFID ELECTRONIC LOCK KIT FOR SINGLE DOORS

1. INSTALL LATCH
2. INSTALL SENSOR BRACKET & CAN BUS BRACKET
3. INSTALL DOOR SENSOR, FRAME SENSOR & CAN BUS MODULE
- 4. WIRE FROM CAN BUS MODULE TO PDU**
5. WIRE SENSORS TO CAN BUS
6. WIRE CAN BUS MODULE TO LATCH

4A. PLUG PATCH CABLE INTO THE CAB BUS MODULE ON THE SIDE LABELED "PDU". ROUTE THE CABLE INTO THE CABINET, OVER THE FRONT CABINET RAIL.

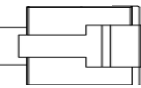


10 FOOT PATCH CABLE

TO:

- AUX 1 ON PDU FOR REAR LATCH
- AUX 2 ON PDU FOR FRONT LATCH

- LOCK1 / 2 PORT ON SSI UNIT
(FOR CABINETS WITHOUT A PDU)



TO CAN BUS MODULE
ON SIDE MARKED "PDU"

Installation Instructions

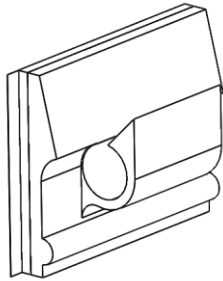
RFID ELECTRONIC LOCK KIT FOR SINGLE DOORS

1. INSTALL LATCH
2. INSTALL SENSOR BRACKET & CAN BUS BRACKET
3. INSTALL DOOR SENSOR, FRAME SENSOR & CAN BUS MODULE
4. **WIRE FROM CAN BUS MODULE TO PDU**
5. WIRE SENSORS TO CAN BUS
6. WIRE CAN BUS MODULE TO LATCH

4B. IF THE PDU IS LOCATED ON THE SAME SIDE AS THE CAN BUS MODULE, PLACE THE FIRST WIRE CLIP IN THE LOCATION SHOWN BELOW. USE THE TOP ACCESSORY TRACK ALONG THE CABINET SLIDE.

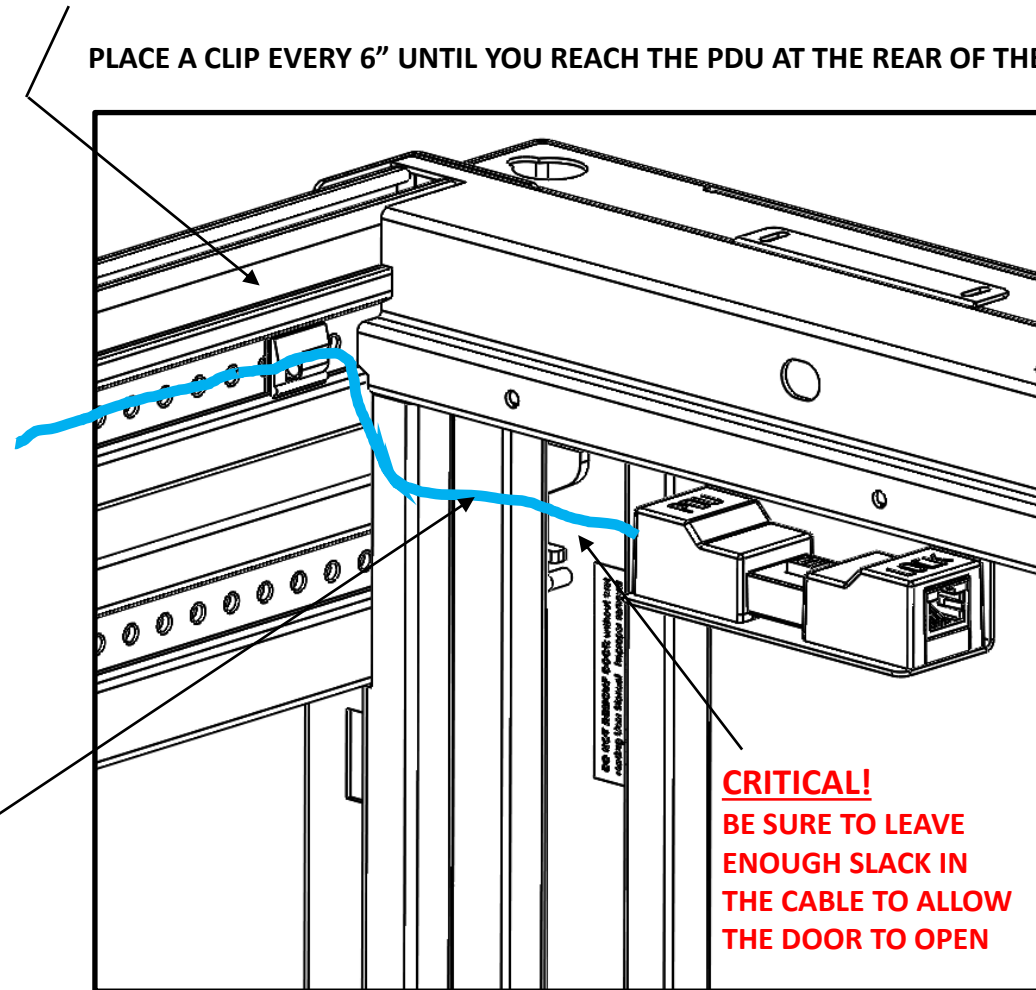
PLACE A CLIP EVERY 6" UNTIL YOU REACH THE PDU AT THE REAR OF THE CABINET.

BE SURE THE WIRE CLIPS ARE ORIENTED WITH THE OPENING UPWARDS AS SHOWN.



ALWAYS WIPE THE AREA WHERE AN ADHESIVE WIRE CLIP WILL BE PLACED PRIOR TO PLACEMENT. BE SURE IT HAS TIME TO DRY BEFORE INSTALLING WIRE CLIP.

4C. WRAP BRAIDED CABLE SLEEVE AROUND CABLE AT THE TRASITION.



Installation Instructions

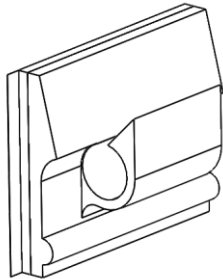
RFID ELECTRONIC LOCK KIT FOR SINGLE DOORS

1. INSTALL LATCH
2. INSTALL SENSOR BRACKET & CAN BUS BRACKET
3. INSTALL DOOR SENSOR, FRAME SENSOR & CAN BUS MODULE
4. **WIRE FROM CAN BUS MODULE TO PDU**
5. WIRE SENSORS TO CAN BUS
6. WIRE CAN BUS MODULE TO LATCH

4B. IF THE PDU IS LOCATED ON THE OPPOSITE SIDE FROM THE CAN BUS MODULE, PLACE THE FIRST WIRE CLIP IN THE LOCATION SHOWN BELOW TO ROUTE THE CABLE TO THE OTHER SIDE OF THE CABINET. ONCE ON THE OTHER SIDE, USE THE TOP ACCESSORY TRACK TO ROUTE THE CABLE TO THE REAR, AS SHOWN ON THE PREVIOUS PAGE.

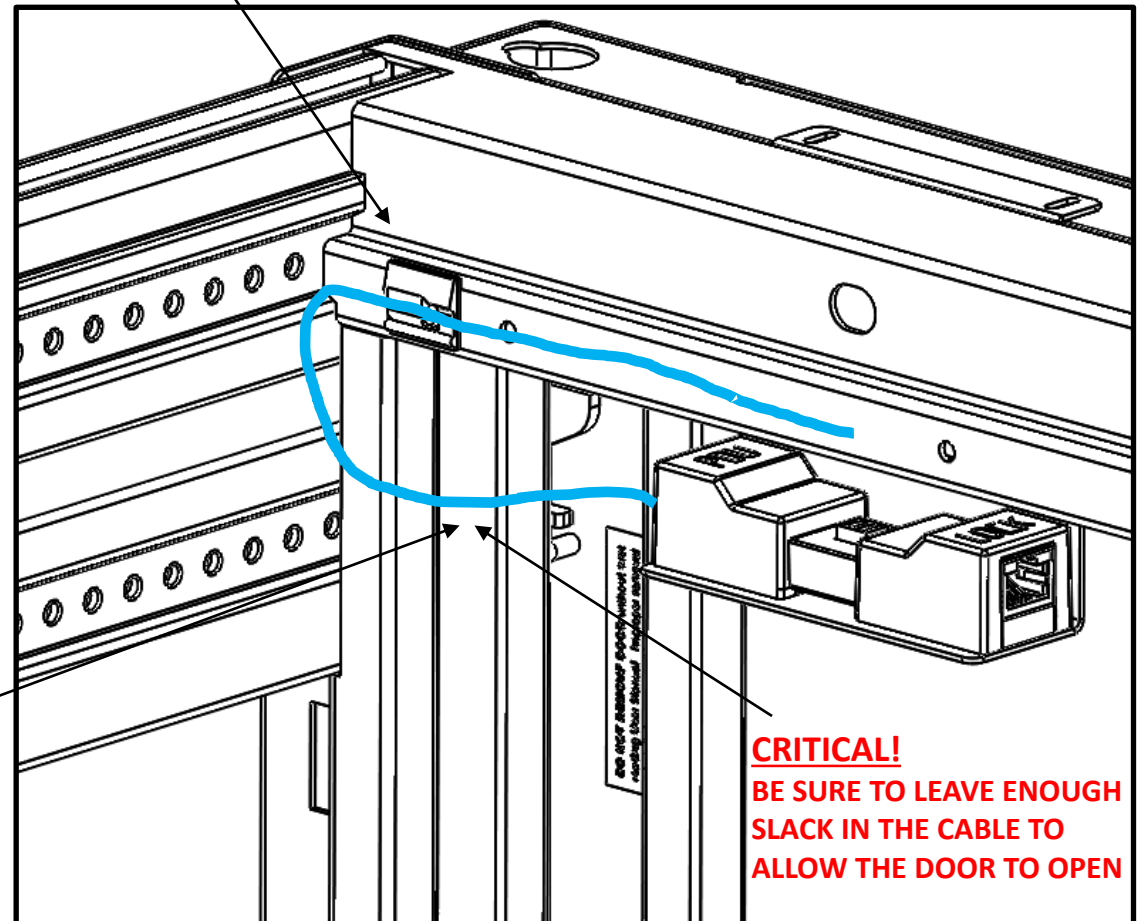
PLACE A CLIP EVERY 6" UNTIL YOU REACH THE PDU.

BE SURE THE WIRE CLIPS ARE ORIENTED WITH THE OPENING UPWARDS AS SHOWN.



ALWAYS WIPE THE AREA WHERE AN ADHESIVE WIRE CLIP WILL BE PLACED PRIOR TO PLACEMENT. BE SURE IT HAS TIME TO DRY BEFORE INSTALLING WIRE CLIP.

4C. WRAP BRAIDED CABLE SLEEVE AROUND CABLE AT THE TRANSITION.



Installation Instructions

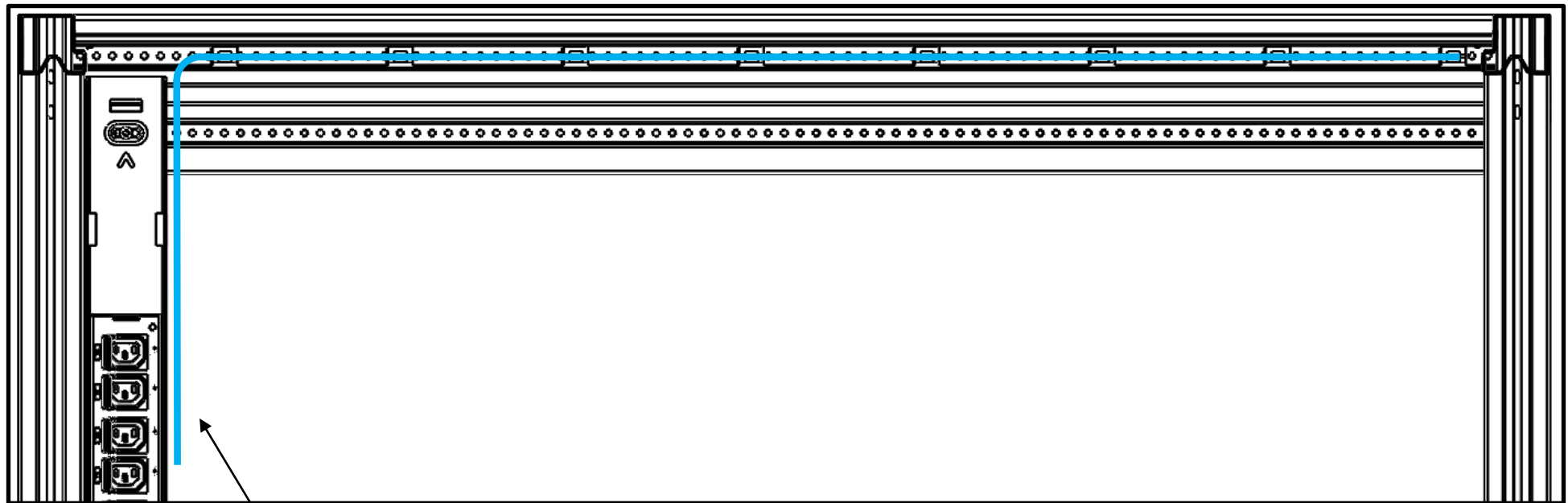
RFID ELECTRONIC LOCK KIT FOR SINGLE DOORS

1. INSTALL LATCH
2. INSTALL SENSOR BRACKET & CAN BUS BRACKET
3. INSTALL DOOR SENSOR, FRAME SENSOR & CAN BUS MODULE
- 4. WIRE FROM CAN BUS MODULE TO PDU**
5. WIRE SENSORS TO CAN BUS
6. WIRE CAN BUS MODULE TO LATCH

4D. INSTALL THE FINAL CLIP JUST BEFORE THE PDU TO ALLOW THE CABLE TO TURN DOWN THE SIDE OF THE BRACKET.

REAR OF CABINET

FRONT OF CABINET



ROUTE THE CABLE DOWN THE SIDE OF THE PDU BRACKET.

SIDE VIEW
INSIDE CABINET



Installation Instructions

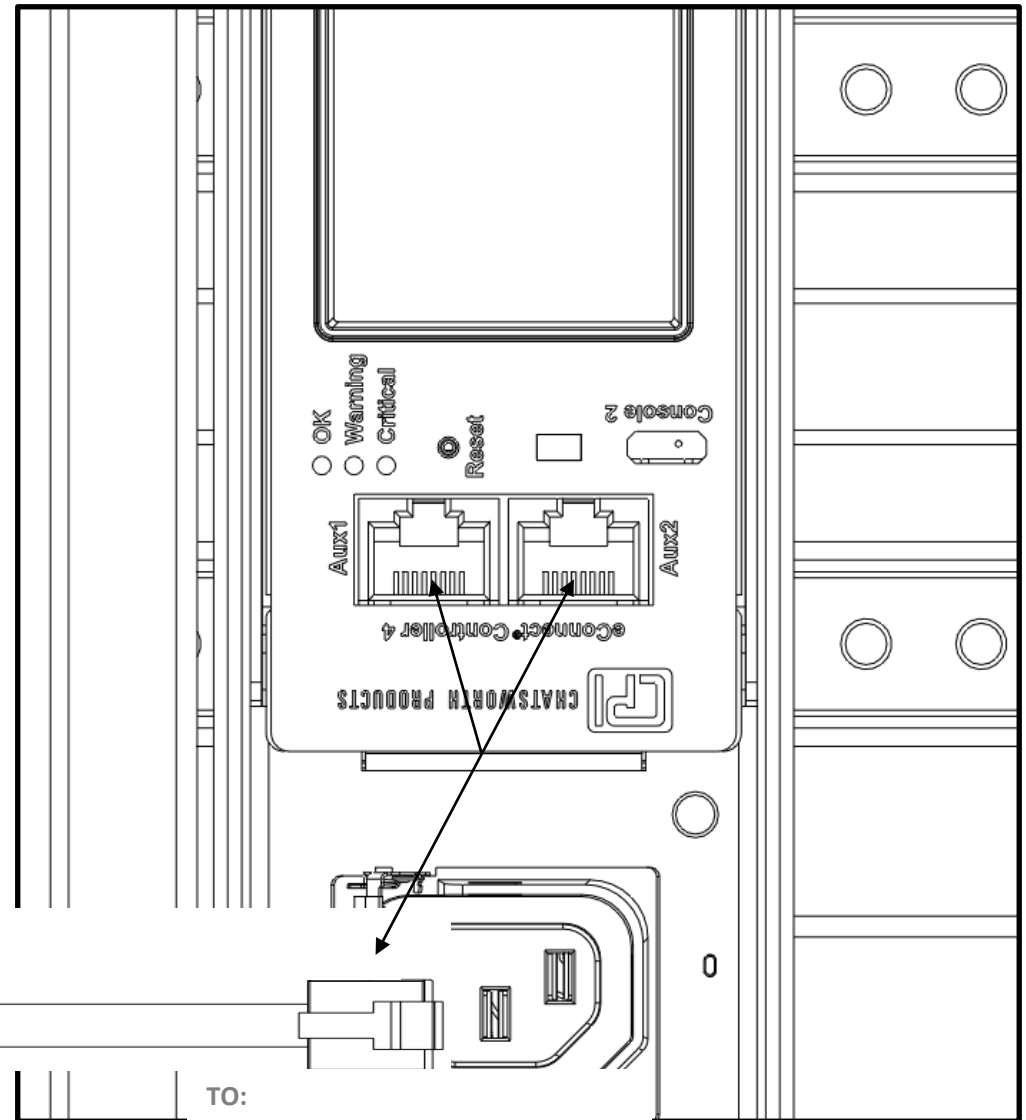
RFID ELECTRONIC LOCK KIT FOR SINGLE DOORS

1. INSTALL LATCH
2. INSTALL SENSOR BRACKET & CAN BUS BRACKET
3. INSTALL DOOR SENSOR, FRAME SENSOR & CAN BUS MODULE
4. **WIRE FROM CAN BUS MODULE TO PDU**
5. WIRE SENSORS TO CAN BUS
6. WIRE CAN BUS MODULE TO LATCH

4E. LOOP ANY EXCESS WIRING AND ZIP TIE IT NEAR THE AUX PORT ON THE PDU / RFID CONTROLLER.

4F. PLUG THE PATCH CABLE INTO THE APPROPRIATE AUXILIARY PORT.

**AUX 1 IS FOR THE REAR DOOR LATCH
AUX 2 IS FOR THE FRONT DOOR LATCH**



TO CAN BUS MODULE
ON SIDE MARKED "PDU"

- TO:
- AUX ON PDU
 - LOCK1 / 2 PORT ON SSI UNIT
(FOR CABINETS WITHOUT A PDU)

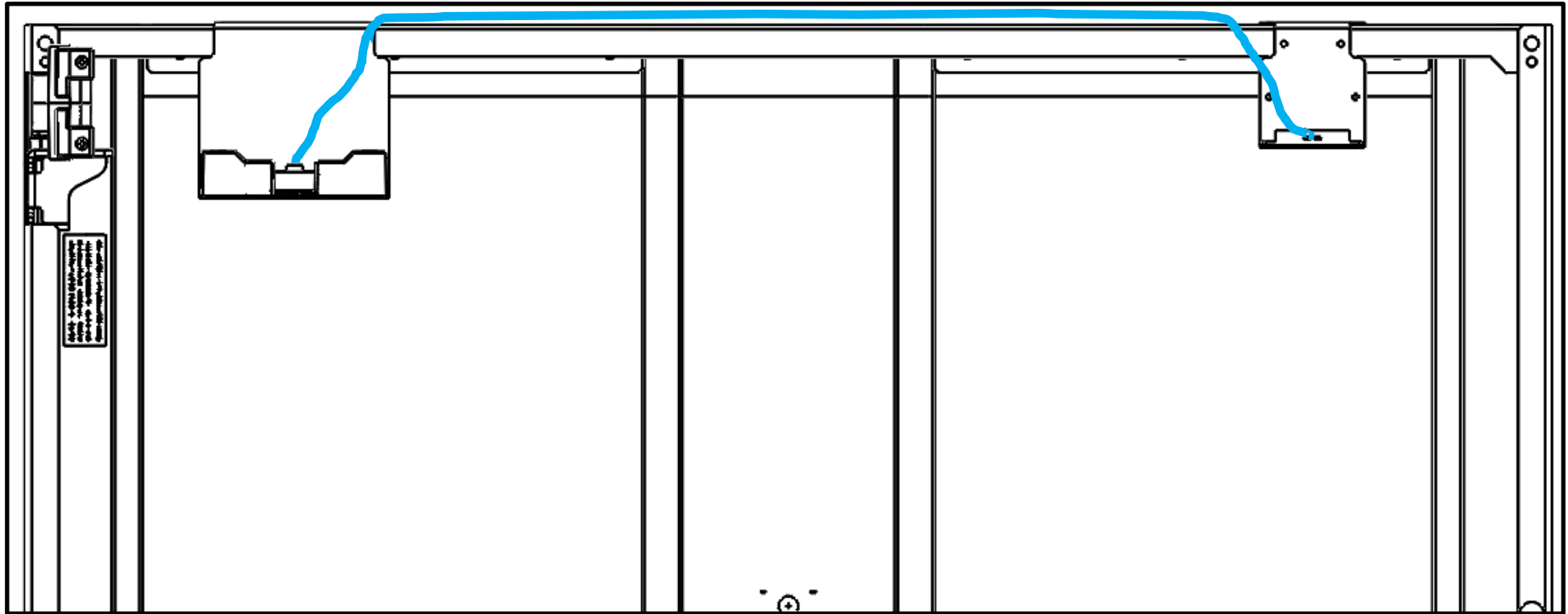
Installation Instructions

RFID ELECTRONIC LOCK KIT FOR SINGLE DOORS

1. INSTALL LATCH
2. INSTALL SENSOR BRACKET & CAN BUS BRACKET
3. INSTALL DOOR SENSOR, FRAME SENSOR & CAN BUS MODULE
4. WIRE FROM CAN BUS MODULE TO PDU
5. **WIRE SENSORS TO CAN BUS**
6. WIRE CAN BUS MODULE TO LATCH

5. USE THE SENSOR WIRE THAT IS INCLUDED WITH THE SENSOR KIT.

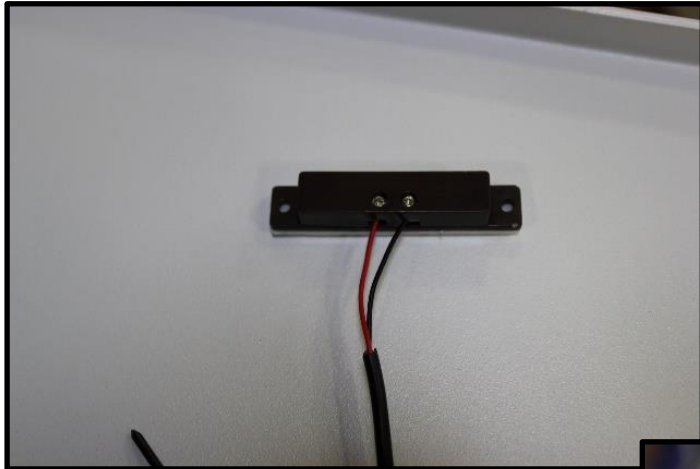
WIRES WILL BE ROUTED AS SHOWN. **DO NOT INSTALL WIRE CLIPS YET. THIS WILL BE DONE IN STEP 6.**



Installation Instructions

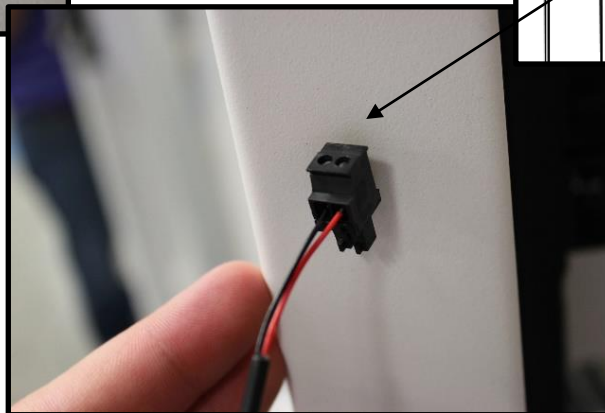
RFID ELECTRONIC LOCK KIT FOR SINGLE DOORS

1. INSTALL LATCH
2. INSTALL SENSOR BRACKET & CAN BUS BRACKET
3. INSTALL DOOR SENSOR, FRAME SENSOR & CAN BUS MODULE
4. WIRE FROM CAN BUS MODULE TO PDU
5. **WIRE SENSORS TO CAN BUS**
6. WIRE CAN BUS MODULE TO LATCH

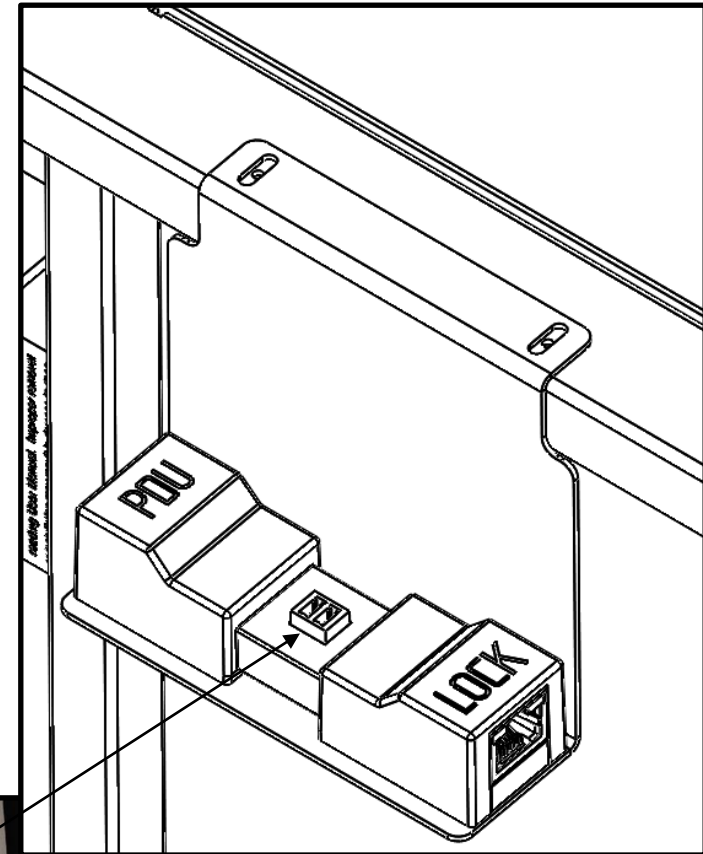


5B. CAREFULLY MEASURE, TRIM AND STRIP WIRE TO REMOVE EXCESS WIRE LENGTH.

INSERT WIRES INTO SENSOR SWITCH AND SECURE BY TIGHTENING THE SCREWS.



5A. PLUG SENSOR WIRE INTO CAN BUS MODULE.



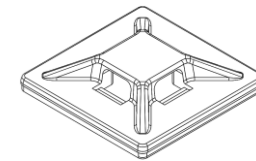
Installation Instructions

RFID ELECTRONIC LOCK KIT FOR SINGLE DOORS

1. INSTALL LATCH
2. INSTALL SENSOR BRACKET & CAN BUS BRACKET
3. INSTALL DOOR SENSOR, FRAME SENSOR & CAN BUS MODULE
4. WIRE FROM CAN BUS MODULE TO PDU
5. WIRE SENSORS TO CAN BUS
6. **WIRE CAN BUS MODULE TO LATCH**

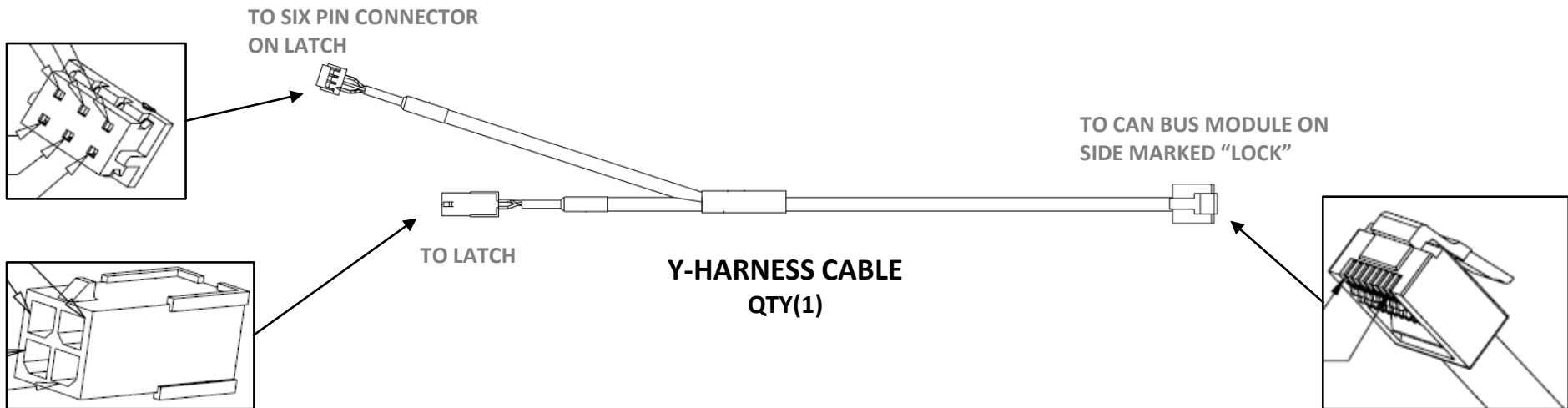


ALCOHOL WIPE



ADHESIVE CABLE TIE
WIRE CLIP

CABLE TIES ALSO INCLUDED BUT NOT PICTURED

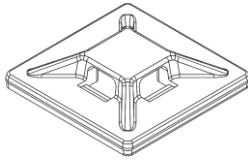


Installation Instructions

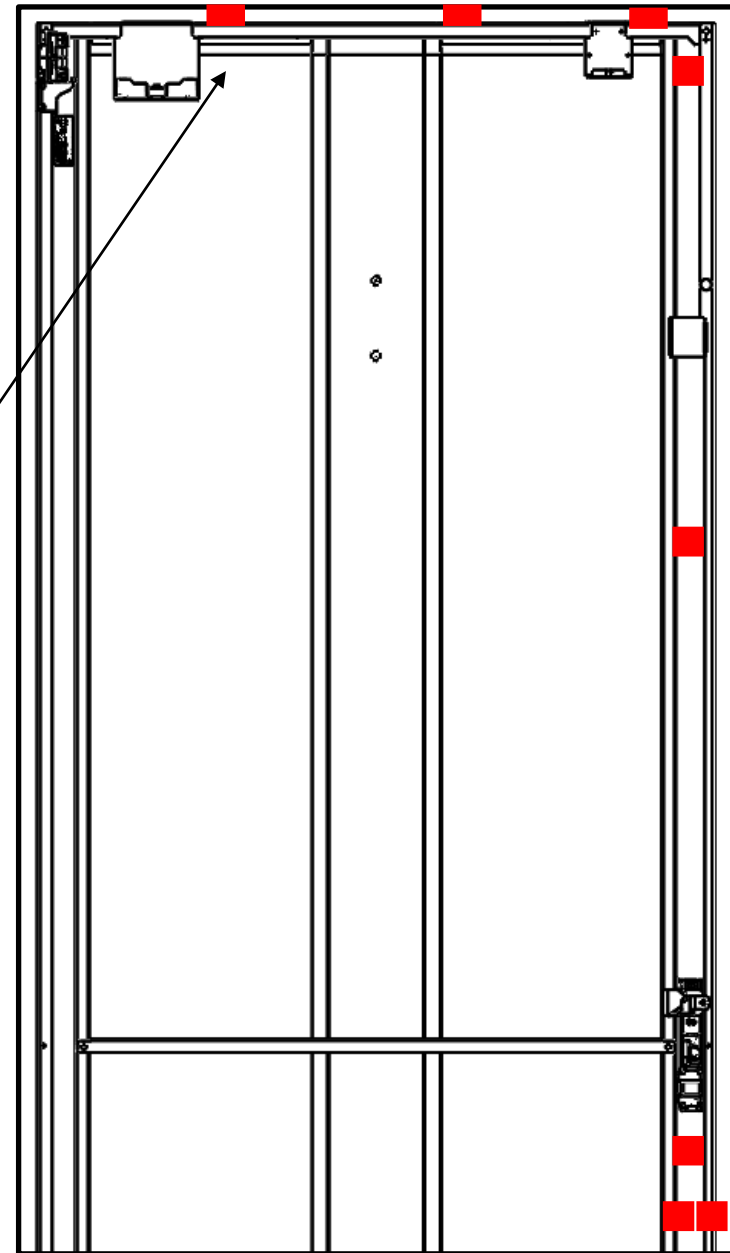
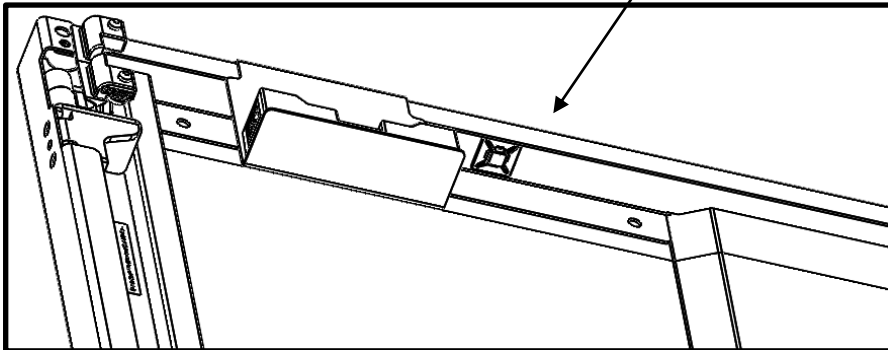
RFID ELECTRONIC LOCK KIT FOR SINGLE DOORS

1. INSTALL LATCH
2. INSTALL SENSOR BRACKET & CAN BUS BRACKET
3. INSTALL DOOR SENSOR, FRAME SENSOR & CAN BUS MODULE
4. WIRE FROM CAN BUS MODULE TO PDU
5. WIRE SENSORS TO CAN BUS
6. **WIRE CAN BUS MODULE TO LATCH**

6A. PLACE THE CABLE TIE WIRE CLIPS IN THE APPROXIMATE LOCATIONS SHOWN



ALWAYS WIPE THE AREA WHERE AN ADHESIVE WIRE CLIP WILL BE PLACED PRIOR TO PLACEMENT. BE SURE IT HAS TIME TO DRY BEFORE INSTALLING WIRE CLIP.



Installation Instructions

RFID ELECTRONIC LOCK KIT FOR SINGLE DOORS

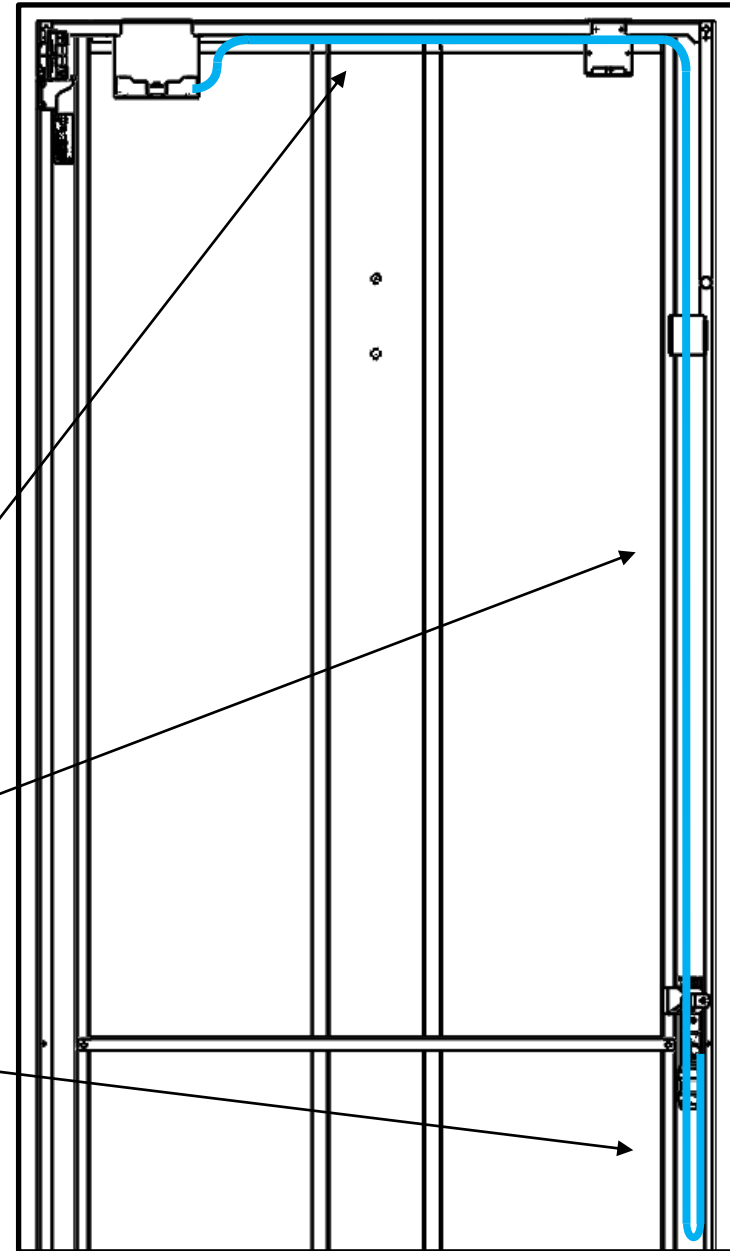
1. INSTALL LATCH
2. INSTALL SENSOR BRACKET & CAN BUS BRACKET
3. INSTALL DOOR SENSOR, FRAME SENSOR & CAN BUS MODULE
4. WIRE FROM CAN BUS MODULE TO PDU
5. WIRE SENSORS TO CAN BUS
6. **WIRE CAN BUS MODULE TO LATCH**

6B. ROUTE THE HARNESS CABLE FROM THE CAN BUS MODULE TO THE LATCH AS SHOWN.

SECURE BOTH THE SENSOR WIRES AND HARNESS CABLE TOGETHER ALONG THE TOP.

IF USING A TWO-POINT ZF LATCH, THE WIRING SHOULD BE ROUTED WITHIN THE LOCK BAR CHANNEL. THE LOCK BAR & CAM WILL BE INSTALLED AS THE LAST STEP.

CRITICAL! THE EXCESS HARNESS CABLE SLACK IS ROUTED BELOW THE LATCH.



Installation Instructions

RFID ELECTRONIC LOCK KIT FOR SINGLE DOORS

1. INSTALL LATCH
2. INSTALL SENSOR BRACKET & CAN BUS BRACKET
3. INSTALL DOOR SENSOR, FRAME SENSOR & CAN BUS MODULE
4. WIRE FROM CAN BUS MODULE TO PDU
5. WIRE SENSORS TO CAN BUS
6. **WIRE CAN BUS MODULE TO LATCH**

